

Project Name:

Type:

Notes:

Catalog Number: LUX - WAVE - 3 - D - HO2 - - 2' -

High-bay LED luminaire specifically designed for indirect sports lighting applications. Intended for natatoriums and tennis courts but is suitable for almost any indirect lighting project where high uniformity is desired.

Optics:

- 360° Rotatable BARs for Customized Distributions
- Wide 120° Beam Angle for Maximum Uniformity
- Diffuse Lensing Available in Clear and White
- Optional Glare Guards for Up and Down Light, (1) per LED Bar

Mechanical:

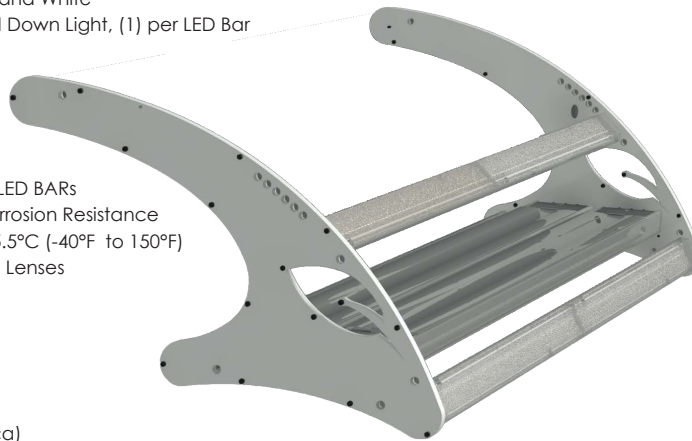
- Extruded Aluminum Construction
- Stainless Steel Hardware
- Isolated Driver Channels
- Thermally Independent Heat Sink LED BARs
- Anodized Brite-Dip for Superior Corrosion Resistance
- Ambient Temperature: -40°C to 65.5°C (-40°F to 150°F)
- Optional Polycarbonate or Acrylic Lenses

Components:

- High-Output Nichia LED Chips
- 90°C Osram Sylvania LED Drivers

Listings:

- ARRA Compliant (Made In America)
- UL1598 for Dry and Damp Locations



Standard Finish Includes (shown above):

- Brite-Dip Anodized Aluminum Extrusions
- White Powder Coated Aluminum Endcaps

Performance:

- 17,701 Nominal Lumens
- 138 Watts
- 135 Lumens/Watt
- LED Lifetime per TM-21: L(T70) > 60,000 Hours
- Calculated Lifetime: L(T70) > 150,968 Hours

Electrical:

- Input Voltage: 120-277V (347/480V Option Available)
- 0-10V Dimming Standard

Warranty:

- Fixture Body: 10 Years
- Electronics: 5 Years

Installation:

- Aircraft Cable Suspension
- Pendant Mount
- Custom Mounting

Fixture Dimensions:

- 26" L x 16" W x 12" H (66.0cm x 30.5cm x 3.8cm)

Fixture Weight:

- 12 Lbs (5.4 kg)



If any options are not desired, leave blank.

LUX - WAVE - 3 - D - HO2 - - 2' -

Mfr.	Series	Bi a VVf cZ6Ufg	Channel Config.	Module	CRI/ CCT	@b[h	0-10V Dim	Lens	Application	Voltage Option	Direction of Light	Custom Output	Glare Guard	Access to Electronics	Cord	Mounting	Finish	Controls	Emergency Driver
WAVE	3	D - Double Channel	HO2	850	2'	U10	NL	NAT	Contact Factory if other than 120V-277V	DIR	CFO	Deflector	TOP	3/10	STND(W)	DLH	EM15		
				840		U1	CA2'	TC		IND	CFI		BOT	4/10	CC###	OCC	EM15	15 Watt EM Backup	
				835		UX	CP2'	MFG/WH		CLD				5/10		D/O			
				830			WA2'	GYM						6/10		WCM			
				827			WP2'	A/FH						3/15					
				927				ARCH						4/15					
														5/15					
														6/15					

Part #	Description	Light Loss
850	80CRI CCT-5000K	0.0%
840	80CRI CCT-4000K	3.2%
835	80CRI CCT-3500K	4.3%
830	80CRI CCT-3000K	6.9%
827	80CRI CCT-2700K	10.1%
927	90CRI CCT-2700K	22.3%

Part #	Description	Light Loss
NL	No Lens	0.0%
CA2'	Clear Acrylic	10%
CP2'	Clear Polycarbonate	14%
WA2'	White Acrylic	16%
WP2'	White Polycarbonate	25%

Part #	Description
NAT	Natatorium
TC	Tennis Court
MFG/WH	Manufacturing/Warehouse
GYM	Gymnasium
A/FH	Arena/Field House
ARCH	Architectural

Part #	Description
U10	Unv. 120-277V, 0-10V, dims to 10%
U1	Unv. 120-277V, 0-10V, dims to 1%
UX	Unv. 120-277V, No Dimming

Part #	Description
DIR	Direct Lighting: Bars Aimed Down
IND	Indirect Lighting: Bars Aimed Up
CLD	Custom Light Distribution

Part #	Description
Deflector 2' - No Bend	Glare guard with flat front surface for moderate light-spill control
Deflector 2' - With Bend	Glare Guard with additional light-spill control

* (1) Deflector per LED Bar, fixtures may be ordered with any number and combination of deflectors.
See the detail sheet Online at: www.luxdynamics.com/cutsheets/WAVE/LUX_deflector.pdf

1 st Digit	Number of Conducting Wires
2 nd Digit	Length of Cord (feet)

* Cord Lengths Available up to 30'
5-Wires Standard for 0-10V Dimming
4-Wires Standard for A/B Switching
3-Wires Standard for On/Off

TOP	Lid Opens from Top
BOT	Lid Opens from Bottom

STND	Standard Finish - As Shown in Photo Above
CC###	Custom Color - Please Provide RAL Number

H2P5	2-Point AC Cable up to 5' Length, Hook
H2P10	2-Point AC Cable up to 10' Length, Hook
H2P20	2-Point AC Cable up to 20' Length, Hook
H2P5SS	Stainless Steel 2-Point AC Cable up to 5' Length, Hook
H2P10SS	Stainless Steel 2-Point AC Cable up to 10' Length, Hook
H2P20SS	Stainless Steel 2-Point AC Cable up to 20' Length, Hook
H4P5	4-Point AC Cable up to 5' Length, Hook
H4P10	4-Point AC Cable up to 10' Length, Hook
H4P20	4-Point AC Cable up to 20' Length, Hook
H4P5SS	Stainless Steel 4-Point AC Cable up to 5' Length, Hook
H4P10SS	Stainless Steel 4-Point AC Cable up to 10' Length, Hook
H4P20SS	Stainless Steel 4-Point AC Cable up to 20' Length, Hook
MH1P	Meyer's Hub 1-Point, 3/4" GRC Adapter
MH2P	Meyer's Hub 2-Point, 3/4" GRC Adapters
SM	Surface Mount
WM	Wall Mount
TM	Truss Mount

* Custom Mounting Available - Contact Factory with Request
* For lengths greater than 20' - Contact Factory with Request

Option/Adder Data

Contact factory for detailed specification sheets on each option/adder. Every option/adder available in 347/480V, contact factory.

Daylight Harvesting & Occupancy Sensor- Dim	
Control Type	PIR/PhotoCell 1-10V
Ambient Temperature	5°C to 55°C
Mounting Height	8' to 40'

Daylight Harvesting Sensor - Dim	
Control Type	PhotoCell 1-10V
Ambient Temperature	5°C to 55°C
Mounting Height	8' to 40'

Occupancy Sensor - On/Off	
Control Type	PIR Line Voltage
Ambient Temperature	-10°C to 71°C
Mounting Height	15' to 45'

Wireless Control Module	
Quantity Needed Per Fixture	1
Ambient Temperature	-40°C to 55°C
Phone Application	Available

Emergency Battery (12-Watt)	
Initial Lumen Output	1626 Lumens Per Bar
Ambient Temperature	0°C to 55°C
Illumination Time	90 Minutes

Emergency Battery (10-Watt)	
Initial Lumen Output	1355 Lumens Per Bar
Ambient Temperature	0°C to 55°C
Illumination Time	90 Minutes

347/480Volt Step-Down Transformer	
Quantity Needed Per Fixture	1
Ambient Temperature	-40°C to 100°C

Standard Bar Configuration,
as Tested.

