

Project Name: _____ **Type:** _____ **Notes:** _____

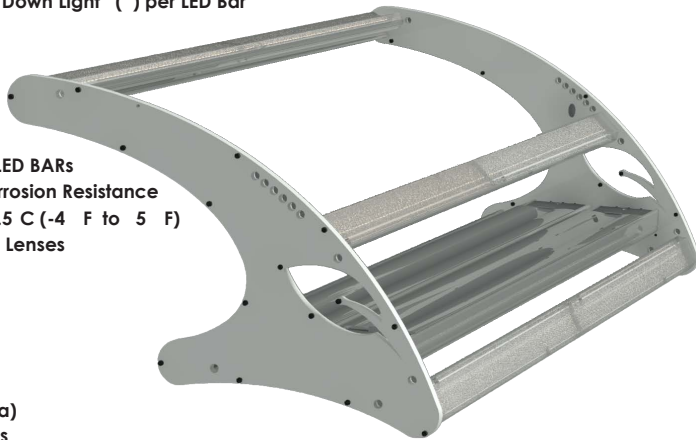
Catalog Number: LUX - WAVE - 4 - D - HO2 - 2' - _____

- Optics:**
- 36 Rotatable BARs for Custom ed Distributions
 - Wide 2 Beam Angle for Maximum Uniformity
 - Diffuse Lensing Available in Clear and White
 - Optionallare uards for Up and Down Light () per LED Bar

- Mechanical:**
- Extruded Aluminum Construction
 - Stainless Steel Hardware
 - Isolated Driver Channels
 - Thermally Independent Heat Sin LED BARs
 - Anod ed Brite-Dip for Superior Corrosion Resistance
 - Ambient Temperature: -4 C to 65.5 C (-4 F to 5 F)
 - Optional Polycarbonate or Acrylic Lenses

- Components:**
- High-Output Nichia LED Chips
 - C Osram Sylvania LED Drivers

- Listings:**
- ARRA Compliant (Made In America)
 - UL 5 8 for Dry and Damp Locations



Standard Finish Includes (shown above):
 -Brite-Dip Anodized Aluminum Extrusions
 -White Powder Coated Aluminum Endcaps

- Performance:**
- 23,602 Nominal Lumens
 - 180 Watts
 - 131 Lumens/Wat
 - LED Lifetime per TM-21: L(70) > 60,000 Hours
 - Calculated Lifetime: L(70) > 150,968 Hours

- Electrical:**
- Input Voltage: 120-277V (347/480V Option Available)
 - 0-10V Dimming Standard

- Warranty:**
- Fixture Body: 10 Years
 - Electronics: 5 Years

- Installation:**
- Aircraft Cable Suspension
 - Pendant Mount
 - Custom Mounting

- Fixture Dimensions:**
- 26"L x 16"W x 12"H (66.0cm x 30.5cm x 3.8cm)

- Fixture Weight:**
- 13 Lbs (5.9 kg)

If any options are not desired, leave blank.

LUX - WAVE - 4 - D - HO2 - 2' - _____

Mfr.	Series	Beam V/A	Channel Config.	Module	CRI/CCT	@b [h]	0-10V Dim	Lens	Application	Voltage Option	Direction of Light	Custom Output	Glare Guard	Access to Electronics	Cord	Mounting	Finish	Controls	Emergency Driver
WAVE	4	D-Double Channel	HO2	850	2'	U10	NL	NAT	Contact Factory if other than 120V-277V	DIR	CFO	Deflector	TOP	3/10	STND(W)	DLH	EM15		
				840		UX	CA2'	TC		IND	CFI	"See Deflector Specification for Details"	BOT	4/10	CC###	OCC	15 Watt EM Backup		
				835			CP2'	MFG/WH5		CLD				5/10		D/O			
				830			WA2'	GYM						6/10		WCM			
				827			WP2'	A/FH						3/15					
				927				ARCH						4/15					
														5/15					
														6/15					

Part #	Description	Light Loss
850	80CRI CCT-5000K	0.0%
840	80CRI CCT-4000K	3.2%
835	80CRI CCT-3500K	4.3%
830	80CRI CCT-3000K	6.9%
827	80CRI CCT-2700K	10.1%
927	90CRI CCT-2700K	22.3%

*Other CRI and CCT Available Contact Factory for Availability

Part #	Description	Light Loss
NL	No Lens	0.0%
CA2'	Clear Acrylic	10%
CP2'	Clear Polycarbonate	14%
WA2'	White Acrylic	16%
WP2'	White Polycarbonate	25%

NAT Natatorium
 TC Tennis Court
 MFG/WH5 Manufacturing/Warehouse
 GYM Gymnasium
 A/FH Arena/Field House
 ARCH Architectural

Dir	Description
DIR	Direct Lighting: Bars Aimed Down
IND	Indirect Lighting: Bars Aimed Up
CLD	Custom Light Distribution

For Use to Specify Critical Fixture Inputs or Outputs. Leave Blank for Fixture Performance as Shown Above.
 CFO Custom Fixture Output. Specify Needed Lumens.
 CFI Custom Fixture Input. Specify Needed Wattage.

Deflector 2' - No Bend Glare guard with flat front surface for moderate light-spill control
 Deflector 2' - With Bend Glare Guard with additional light-spill control

* (1) Deflector per LED Bar, fixtures may be ordered with any number and combination of deflectors.
 See the detail sheet Online at:
www.luxdynamics.com/cutsheets/WAVE/LUX_deflector.pdf

1 st Digit	Number of Conducting Wires
2 nd Digit	Length of Cord (feet)

* Cord Lengths Available up to 30'
 5-Wires Standard for 0-10V Dimming
 4-Wires Standard for A/B Switching
 3-Wires Standard for On/Off

TOP	Lid Opens from Top
BOT	Lid Opens from Bottom

STND	Standard Finish - As Shown in Photo Above
CC###	Custom Color - Please Provide RAL Number

2-Point AC Cable up to 5' Length, Hook
H2P5
H2P10
H2P20
H2P5SS
H2P10SS
H2P20SS
H4P5
H4P10
H4P20
H4P5SS
H4P10SS
H4P20SS
MH1P
MH2P
SM
WM
TM

* Custom Mounting Available - Contact Factory with Request
 * For lengths greater than 20' - Contact Factory with Request

Option/Adder Data

Contact factory for detailed specification sheets on each option/adder. Every option/adder available in 347/480V, contact factory.

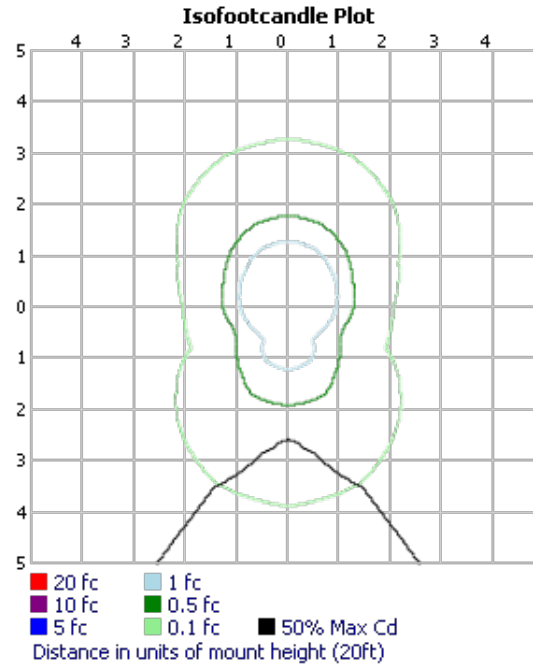
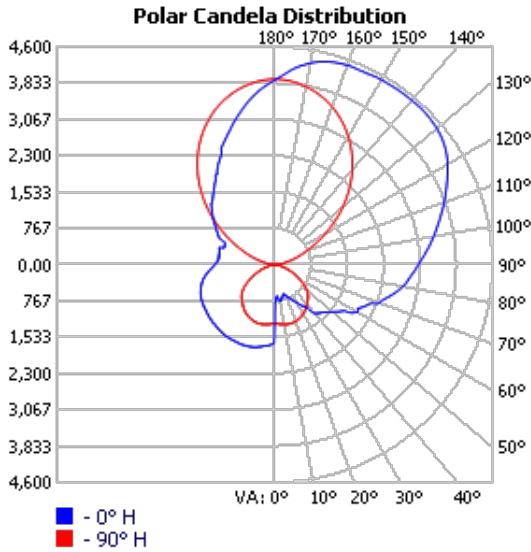
Daylight Harvesting & Occupancy Sensor - Dim		Daylight Harvesting Sensor - Dim		Occupancy Sensor - On/Off		Wireless Control Module	
Control Type	PIR/PhotoCell 1-10V	Control Type	PhotoCell 1-10V	Control Type	PIR Line Voltage	Quantity Needed Per Fixture	1
Ambient Temperature	5°C to 55°C	Ambient Temperature	5°C to 55°C	Ambient Temperature	-10°C to 71°C	Ambient Temperature	-40°C to 55°C
Mounting Height	8' to 40'	Mounting Height	8' to 40'	Mounting Height	15' to 45'	Phone Application	Available

Emergency Battery (12-Watt)	
Initial Lumen Output	1626 Lumens Per Bar
Ambient Temperature	0°C to 55°C
Illumination Time	90 Minutes

Emergency Battery (10-Watt)	
Initial Lumen Output	1355 Lumens Per Bar
Ambient Temperature	0°C to 55°C
Illumination Time	90 Minutes

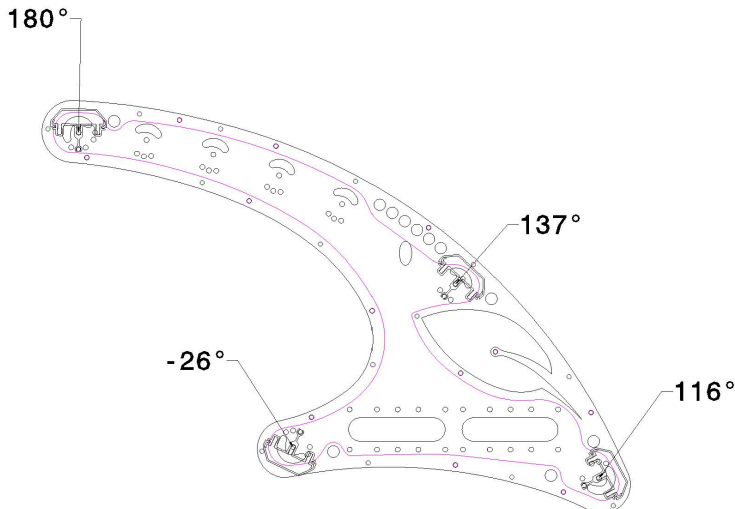
347/480Volt Step-Down Transformer	
Quantity Needed Per Fixture	1
Ambient Temperature	-40°C to 100°C

TEST #: LLI-17199-6
 TEST LAB: TEST LIGHTLAB INTERNATIONAL (WWW.LIGHTLABINT.COM)
 CATALOG: LUX-WAVE-4-D-HO2-850-2'-U10-CA2'
 INPUT WATTAGE: 180.4
 MAX CD: 4,523.3 AT HORIZONTAL: 0°, VERTICAL: 136.5°



ZONAL LUMEN SUMMARY		
ZONE	LUMENS	% LUMINAIRE
0-30	1,071.7	5%
0-40	1,851.2	8.6%
0-60	3,873.8	18%
60-90	3,707.7	17.3%
70-100	3,890.0	18.1%
90-120	4,696.6	21.9%
0-90	7,581.5	35.3%
90-180	13,880.4	64.7%
0-180	21,461.9	100%

Standard Bar Configuration, as Tested.



LCS TABLE		
BUG RATING	B3 - U5 - G5	
FORWARD LIGHT	LUMENS	LUMENS %
LOW(0-30):	392.6	1.8%
MEDIUM(30-60):	1,181.7	5.5%
HIGH(60-80):	1,326.3	6.2%
VERY HIGH(80-90):	856.9	4%
BACK LIGHT		
LOW(0-30):	679.2	3.2%
MEDIUM(30-60):	1,620.0	7.5%
HIGH(60-80):	1,090.6	5.1%
VERY HIGH(80-90):	435.5	2%
UPLIGHT		
LOW(90-100):	1,353.7	6.3%
HIGH(100-180):	12,523.0	58.4%
TRAPPED LIGHT:	2.3	0%