

Project Name:

Type:

Notes:

Catalog Number: LUX - WAVE - 7 - D - HO2 - - 2' -

High-bay LED luminaire specifically designed for indirect sports lighting applications. Intended for natatoriums and tennis courts but is suitable for almost any indirect lighting project where high uniformity is desired.

**Optics:**

- 3 Rotatable BARs for Customized Distributions
- Wide 2 Beam Angle for Maximum Uniformity
- Diffuse Lensing Available in Clear and White
- Optional Lenses for Up and Down Light ( ) per LED Bar

**Mechanical:**

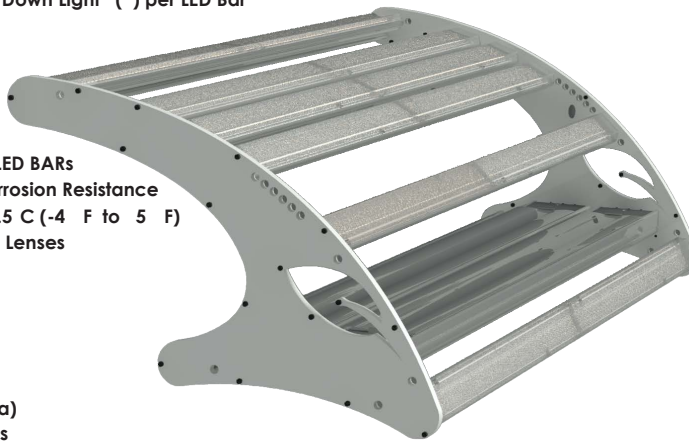
- Extruded Aluminum Construction
- Stainless Steel Hardware
- Isolated Driver Channels
- Thermally Independent Heat Sink LED BARs
- Anodized Brite-Dip for Superior Corrosion Resistance
- Ambient Temperature: -4 C to 5.5 C (-4 F to 5 F)
- Optional Polycarbonate or Acrylic Lenses

**Components:**

- High-Output Nichia LED Chips
- C Osram Sylvania LED Drivers

**Listings:**

- ARRA Compliant (Made In America)
- UL 5 8 for Dry and Damp Locations



**Performance:**

- 41,690 Nominal Lumens
- 315 Watts
- 132 Lumens/Watt
- LED Lifetime per TM-21: L(T70) > 60,000 Hours
- Calculated Lifetime: L(T70) > 150,968 Hours

**Electrical:**

- Input Voltage: 120-277V (347/480V Option Available)
- 0-10V Dimming Standard

**Warranty:**

- Fixture Body: 10 Years
- Electronics: 5 Years

**Installation:**

- Aircraft Cable Suspension
- Pendant Mount
- Custom Mounting

**Fixture Dimensions:**

- 26"L x 16"W x 12"H (66.0cm x 30.5cm x 3.8cm)

**Fixture Weight:**

- 18 Lbs (8.2 kg)

**Standard Finish Includes (shown above):**

- Brite-Dip Anodized Aluminum Extrusions
- White Powder Coated Aluminum Endcaps



*If any options are not desired, leave blank.*

LUX - WAVE - 7 - D - HO2 - - 2' -

Mfr.	Series	Bay	Voltage	Channel	Module	CRI/CCT	@b[h]	0-10V Dim	Lens	Application	Voltage Option	Direction of Light	Custom Output	Glare Guard	Access to Electronics	Cord	Mounting	Finish	Controls	Emergency Driver
WAVE	7	D - Double Channel	HO2	850	2'	U10	NL	NAT	Contact Factory if other than 120V-277V	DIR	CFD	Deflector	TOP	3/10	STND(W)	DLH	EM15			
				840		U1	CA2'	TC		IND	CFI		BOT	4/10	CC###	OCC	EM15			
				835		UX	CP2'	MFG/WHS		CLD				5/10		D/O	15 Watt EM Backup			
				830			WA2'	GYM						6/10		WCM				
				827			WP2'	A/FH						3/15						
				927				ARCH						4/15						
														5/15						
														6/15						

Part #	Description	Light Loss
850	80CRI CCT-5000K	0.0%
840	80CRI CCT-4000K	3.2%
835	80CRI CCT-3500K	4.3%
830	80CRI CCT-3000K	6.9%
827	80CRI CCT-2700K	10.1%
927	90CRI CCT-2700K	22.3%

Part #	Description	Light Loss
NL	No Lens	0.0%
CA2'	Clear Acrylic	10%
CP2'	Clear Polycarbonate	14%
WA2'	White Acrylic	16%
WP2'	White Polycarbonate	25%

Part #	Description
NAT	Natatorium
TC	Tennis Court
MFG/WHS	Manufacturing/Warehouse
GYM	Gymnasium
A/FH	Arena/Field House
ARCH	Architectural

Part #	Description
U10	Unv. 120-277V, 0-10V, dims to 10%
U1	Unv. 120-277V, 0-10V, dims to 1%
UX	Unv. 120-277V, No Dimming

Part #	Description
DIR	Direct Lighting: Bars Aimed Down
IND	Indirect Lighting: Bars Aimed Up
CLD	Custom Light Distribution

Part #	Description
TOP	Lid Opens from Top
BOT	Lid Opens from Bottom

1 <sup>st</sup> Digit	Number of Conducting Wires
2 <sup>nd</sup> Digit	Length of Cord (feet)

Option	Description
CFD	Custom Fixture Output. Specify Needed Lumens.
CFI	Custom Fixture Input. Specify Needed Wattage.

Option	Description
Deflector 2' - No Bend	Glare guard with flat front surface for moderate light-spill control
Deflector 2' - With Bend	Glare Guard with additional light-spill control

\* (1) Deflector per LED Bar, fixtures may be ordered with any number and combination of deflectors.  
See the detail sheet Online at: [www.luxdynamics.com/cutsheets/WAVE/LUX\\_deflector.pdf](http://www.luxdynamics.com/cutsheets/WAVE/LUX_deflector.pdf)

Option	Description
STND	Standard Finish - As Shown in Photo Above
CC###	Custom Color - Please Provide RAL Number

Option	Description
H2P5	2-Point AC Cable up to 5' Length, Hook
H2P10	2-Point AC Cable up to 10' Length, Hook
H2P20	2-Point AC Cable up to 20' Length, Hook
H2P5SS	Stainless Steel 2-Point AC Cable up to 5' Length, Hook
H2P10SS	Stainless Steel 2-Point AC Cable up to 10' Length, Hook
H2P20SS	Stainless Steel 2-Point AC Cable up to 20' Length, Hook
H4P5	4-Point AC Cable up to 5' Length, Hook
H4P10	4-Point AC Cable up to 10' Length, Hook
H4P20	4-Point AC Cable up to 20' Length, Hook
H4P5SS	Stainless Steel 4-Point AC Cable up to 5' Length, Hook
H4P10SS	Stainless Steel 4-Point AC Cable up to 10' Length, Hook
H4P20SS	Stainless Steel 4-Point AC Cable up to 20' Length, Hook
MH1P	Meyer's Hub 1-Point, 3/4" GRC Adapter
MH2P	Meyer's Hub 2-Point, 3/4" GRC Adapters
SM	Surface Mount
WM	Wall Mount
TM	Truss Mount

\* Cord Lengths Available up to 30'  
5-Wires Standard for 0-10V Dimming  
4-Wires Standard for A/B Switching  
3-Wires Standard for On/Off

\* Custom Mounting Available - Contact Factory with Request  
\* For lengths greater than 20' - Contact Factory with Request

# Option/Adder Data

Contact factory for detailed specification sheets on each option/adder. Every option/adder available in 347/480V, contact factory.

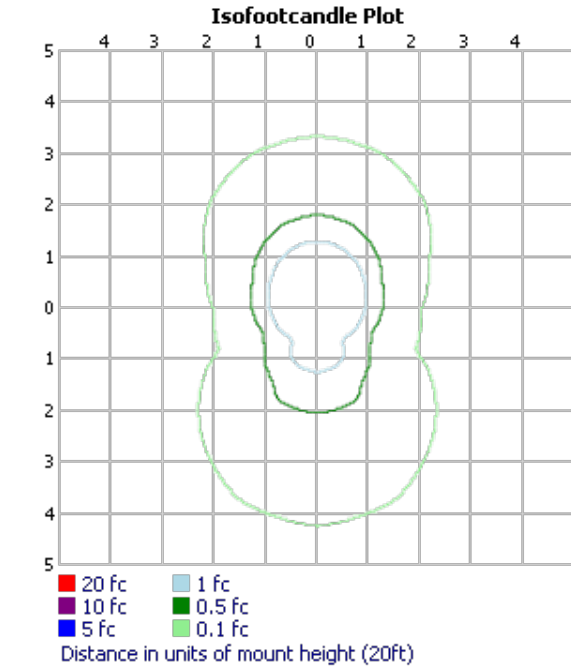
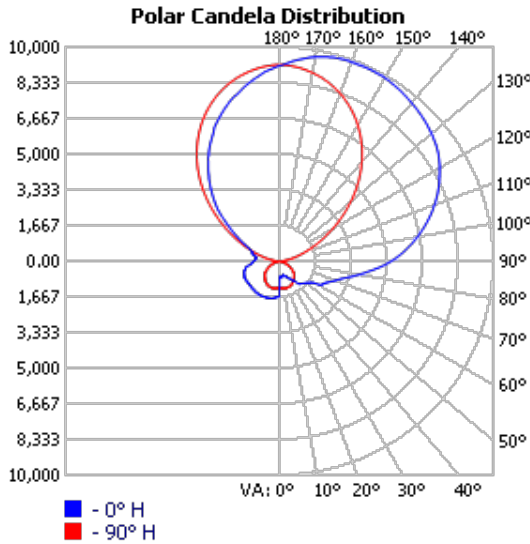
<b>Daylight Harvesting &amp; Occupancy Sensor- Dim</b>		<b>Daylight Harvesting Sensor - Dim</b>		<b>Occupancy Sensor - On/Off</b>		<b>Wireless Control Module</b>	
Control Type	PIR/Photocell 1-10V	Control Type	Photocell 1-10V	Control Type	PIR Line Voltage	Quantity Needed Per Fixture	1
Ambient Temperature	5°C to 55°C	Ambient Temperature	5°C to 55°C	Ambient Temperature	-10°C to 71°C	Ambient Temperature	-40°C to 55°C
Mounting Height	8' to 40'	Mounting Height	8' to 40'	Mounting Height	15' to 45'	Phone Application	Available

<b>Emergency Battery (12-Watt)</b>	
Initial Lumen Output	1626 Lumens Per Bar
Ambient Temperature	0°C to 55°C
Illumination Time	90 Minutes

<b>Emergency Battery (10-Watt)</b>	
Initial Lumen Output	1355 Lumens Per Bar
Ambient Temperature	0°C to 55°C
Illumination Time	90 Minutes

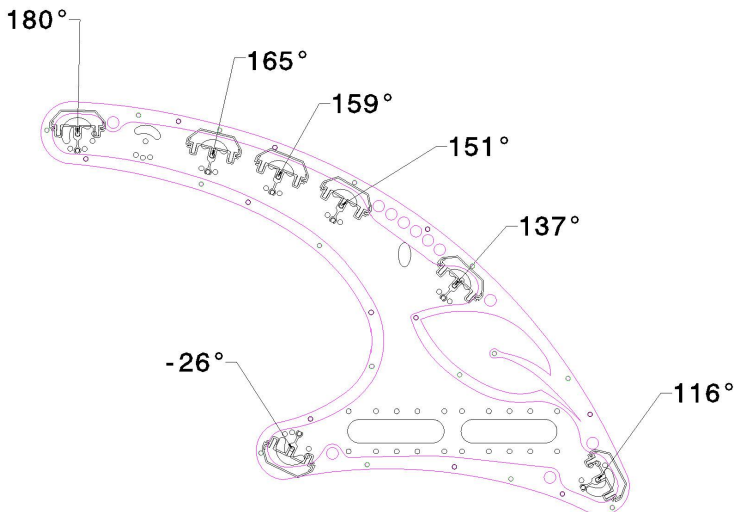
<b>347/480Volt Step-Down Transformer</b>	
Quantity Needed Per Fixture	1
Ambient Temperature	-40°C to 100°C

TEST #: LLI-17199-3  
 TEST LAB: TEST LIGHTLAB INTERNATIONAL (WWW.LIGHTLABINT.COM)  
 CATALOG: LUX-WAVE-7-D-HO2-850-2'-U10-CA2'  
 INPUT WATTAGE: 315.4  
 MAX CD: 9,910.3 AT HORIZONTAL: 0°, VERTICAL: 156°



ZONAL LUMEN SUMMARY		
ZONE	LUMENS	% LUMINAIRE
0-30	1,078.0	2.8%
0-40	1,863.1	4.9%
0-60	3,917.9	10.3%
60-90	4,378.6	11.5%
70-100	5,304.9	14%
90-120	8,680.8	22.9%
0-90	8,296.5	21.9%
90-180	29,613.7	78.1%
0-180	37,910.2	100%

Standard Bar Configuration, as Tested.



LCS TABLE		
BUG RATING	B3 - U5 - G5	
FORWARD LIGHT	LUMENS	LUMENS %
LOW(0-30):	396.8	1%
MEDIUM(30-60):	1,207.9	3.2%
HIGH(60-80):	1,536.0	4.1%
VERY HIGH(80-90):	1,280.7	3.4%
<b>BACK LIGHT</b>		
LOW(0-30):	681.3	1.8%
MEDIUM(30-60):	1,631.4	4.3%
HIGH(60-80):	1,135.0	3%
VERY HIGH(80-90):	428.7	1.1%
<b>UPLIGHT</b>		
LOW(90-100):	2,180.2	5.8%
HIGH(100-180):	27,423.7	72.3%
<b>TRAPPED LIGHT:</b>	8.5	0%