

Project Name:

Type:

Notes:

Catalog Number: LUX - WAVE - 3 - D - HO2 - - 4' -

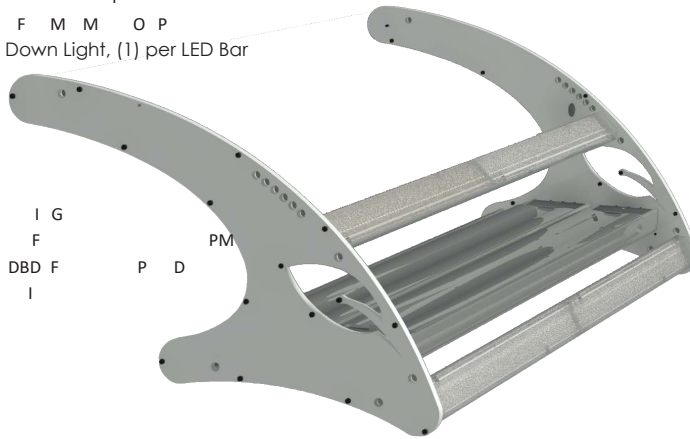
High-bay LED luminaire specifically designed for indirect sports lighting applications. Intended for natatoriums and tennis courts but is suitable for almost any indirect lighting project where high uniformity is desired.

**Optics:**

- 360° Rotatable BARs for Customized Distributions
- M M P
- G I M MN F M M O P
- Optional Glare Guards for Up and Down Light, (1) per LED Bar

**Mechanical:**

- Extruded Aluminum Construction
- PM P M RM
- H MP G FOM
- O M H P MP I G
- P G F PM
- N P MP F P DBD F P D
- P M M N MP I
- F P
- O P P O M I G F O
- E F M M M I G G
- I P
- F M P M H M
- I DE G M GM I MP



**Standard Finish Includes (shown above):**

- Brite-Dip Anodized Aluminum Extrusions
- White Powder Coated Aluminum Endcaps

**Performance:**

- 35,761 Nominal Lumens
- 276 Watts
- 135 Lumens/Watt
- LED Lifetime per TM-21: L(70) > 60,000 Hours
- Calculated Lifetime: L(70) > 150,000 Hours

**Electrical:**

- Input Voltage: 120-277V (347/480V Option Available)
- 0-10V Dimming Standard

**Warranty:**

- Fixture Body: 10 Years
- Electronics: 5 Years

**Installation:**

- Aircraft Cable Suspension
- Pendant Mount
- Custom Mounting

**Fixture Dimensions:**

- 47.5"L x 16"W x 12"H (120.7cm x 30.5cm x 3.8cm)

**Fixture Weight:**

- 18 Lbs (8.2 kg)



*If any options are not desired, leave blank.*

LUX - WAVE - 3 - D - HO2 - - 4' -

Mfr.	Series	Bi a VYf cZ6Ufg	Channel Config.	Module	CRI/CCT	@b[h	0-10V Dim	Lens	Application	Voltage Option	Direction of Light	Custom Output	Glare Guard	Access to Electronics	Cord	Mounting	Finish	Controls	Emergency Driver
WAVE	3	D - Double Channel	HO2	850	4'	U10	NL	NAT	Contact Factory if other than 120V-277V	DIR	CFO	Deflector	TOP	3/10		STND(W)	DLH	EM10	
				840		U1	CA4'	TC		IND	CFI	"See Deflector Specification for Details"	BOT	4/10		CC###	OCC	EM15	
				835		UX	CP4'	MFG/WHS		CLD				5/10		(Natatorium)	D/O	EM10	10 Watt EM Backup
				830			WA4'	GYM						6/10			WCM	EM15	15 Watt EM Backup
				827			WP4'	A/FH						3/15					
				827				ARCH						4/15					
				927										5/15					
				927										6/15					
*Other CRI and CCT Available Contact Factory for Availability																			
Part #		Description		Light Loss		Part #		Description		Light Loss									
850		80CRI CCT-5000K		0.0%		NL		No Lens		0.0%									
840		80CRI CCT-4000K		3.2%		CA4'		Clear Acrylic		10%									
835		80CRI CCT-3500K		4.3%		CP4'		Clear Polycarbonate		14%									
830		80CRI CCT-3000K		6.9%		WA4'		White Acrylic		16%									
827		80CRI CCT-2700K		10.1%		WP4'		White Polycarbonate		25%									
927		90CRI CCT-2700K		22.3%		NAT		Natatorium											
						TC		Tennis Court											
						MFG/WHS		Manufacturing/Warehouse											
						GYM		Gymnasium											
						A/FH		Arena/Field House											
						ARCH		Architectural											
										For Use to Specify Critical Fixture Inputs or Outputs. Leave Blank for Fixture Performance as Shown Above.									
										CFO Custom Fixture Output. Specify Needed Lumens.									
										CFI Custom Fixture Input. Specify Needed Wattage.									
										Deflector 4' - No Bend Glare guard with flat front surface for moderate light-spill control									
										Deflector 4' - With Bend Glare Guard with additional light-spill control									
										* (1) Deflector per LED Bar, fixtures may be ordered with any number and combination of deflectors.									
										See the detail sheet Online at: <a href="http://www.luxdynamics.com/cutsheets/WAVE/LUX_deflector.pdf">www.luxdynamics.com/cutsheets/WAVE/LUX_deflector.pdf</a>									
										TOP Lid Opens from Top									
										BOT Lid Opens from Bottom									
										1 <sup>st</sup> Digit Number of Conducting Wires									
										2 <sup>nd</sup> Digit Length of Cord (feet)									
										* Cord Lengths Available up to 30'									
										5-Wires Standard for 0-10V Dimming									
										4-Wires Standard for A/B Switching									
										3-Wires Standard for On/Off									
										H2P5 2-Point AC Cable up to 5' Length, Hook									
										H2P10 2-Point AC Cable up to 10' Length, Hook									
										H2P20 2-Point AC Cable up to 20' Length, Hook									
										H2P5SS Stainless Steel 2-Point AC Cable up to 5' Length, Hook									
										H2P10SS Stainless Steel 2-Point AC Cable up to 10' Length, Hook									
										H2P20SS Stainless Steel 2-Point AC Cable up to 20' Length, Hook									
										H4P5 4-Point AC Cable up to 5' Length, Hook									
										H4P10 4-Point AC Cable up to 10' Length, Hook									
										H4P20 4-Point AC Cable up to 20' Length, Hook									
										H4P5SS Stainless Steel 4-Point AC Cable up to 5' Length, Hook									
										H4P10SS Stainless Steel 4-Point AC Cable up to 10' Length, Hook									
										H4P20SS Stainless Steel 4-Point AC Cable up to 20' Length, Hook									
										MH1P Meyer's Hub 1-Point, 3/4" GRC Adapter									
										MH2P Meyer's Hub 2-Point, 3/4" GRC Adapters									
										SM Surface Mount									
										WM Wall Mount									
										TM Truss Mount									
										* Custom Mounting Available - Contact Factory with Request									
										* For lengths greater than 20' - Contact Factory with Request									

# Option/Adder Data

Contact factory for detailed specification sheets on each option/adder. Every option/adder available in 347/480V, contact factory.

Daylight Harvesting & Occupancy Sensor- Dim	
Control Type	PIR/PhotoCell 1-10V
Ambient Temperature	5°C to 55°C
Mounting Height	8' to 40'

Daylight Harvesting Sensor - Dim	
Control Type	PhotoCell 1-10V
Ambient Temperature	5°C to 55°C
Mounting Height	8' to 40'

Occupancy Sensor - On/Off	
Control Type	PIR Line Voltage
Ambient Temperature	-10°C to 71°C
Mounting Height	15' to 45'

Wireless Control Module	
Quantity Needed Per Fixture	1
Ambient Temperature	-40°C to 55°C
Phone Application	Available

Emergency Battery (12-Watt)	
Initial Lumen Output	1626 Lumens Per Bar
Ambient Temperature	0°C to 55°C
Illumination Time	90 Minutes

Emergency Battery (10-Watt)	
Initial Lumen Output	1355 Lumens Per Bar
Ambient Temperature	0°C to 55°C
Illumination Time	90 Minutes

347/480Volt Step-Down Transformer	
Quantity Needed Per Fixture	1
Ambient Temperature	-40°C to 100°C

Standard Bar Configuration,  
as Tested.

