

Project Name:

Type:

Notes:

Catalog Number: LUX - WAVE - 6 - D - HO2 - 4'

High-bay LED luminaire specifically designed for indirect sports lighting applications. Intended for natatoriums and tennis courts but is suitable for almost any indirect lighting project where high uniformity is desired.

**Optics:**

- 360° Rotatable BARs for Customized Distributions
- Wide 120° Beam Angle for Maximum Uniformity
- Diffuse Lensing Available in Clear and White
- Optional Glare Guards for Up and Down Light, (1) per LED Bar

**Mechanical:**

- Extruded Aluminum Construction
- Stainless Steel Hardware
- Isolated Driver Channels
- Thermally Independent Heat Sink LED BARs
- Anodized Brite-Dip for Superior Corrosion Resistance
- Ambient Temperature: -40°C to 65.5°C (-40°F to 150°F)
- Optional Polycarbonate or Acrylic Lenses

**Components:**

- High-Output Nichia LED Chips
- 90°C Osram Sylvania LED Drivers

**Listings:**

- ARRA Compliant (Made In America)
- UL1598 for Dry and Damp Locations



**Performance:**

- 71,378 Nominal Lumens
- 542 Watts
- 132 Lumens/Watt
- LED Lifetime per TM-21: L(70) > 60,000 Hours
- Calculated Lifetime: L(70) > 150,968 Hours

**Electrical:**

- Input Voltage: 120-277V (347/480V Option Available)
- 0-10V Dimming Standard

**Warranty:**

- Fixture Body: 10 Years
- Electronics: 5 Years

**Installation:**

- Aircraft Cable Suspension
- Pendant Mount
- Custom Mounting

**Fixture Dimensions:**

- 47.5"L x 16"W x 12"H (120.7cm x 30.5cm x 3.8cm)

**Fixture Weight:**

- 26.5 Lbs (12.0 kg)

**Standard Finish Includes (shown above):**

- Brite-Dip Anodized Aluminum Extrusions
- White Powder Coated Aluminum Endcaps



If any options are not desired, leave blank.

LUX - WAVE - 6 - D - HO2 - 4'

Mfr.	Series	Bi a VVf cZ6Ufg	Channel Config.	Module	CRI / CCT	@b[ h	0-10V Dim	Lens	Application	Voltage Option	Direction of Light	Custom Output	Glare Guard	Access to Electronics	Cord	Mounting	Finish	Controls	Emergency Driver																																																																																																																		
WAVE	6	D - Double Channel	HO2	850 840 835 830 827 927	4'	U10 U1 UX	NL CA4' CP4' WA4' WP4'	NAT TC MFG/WHs GYM A/FH ARCH	Contact Factory if other than 120V-277V	DIR IND CLD	CFO CFI	Deflector *See Deflector Specification for Details	TOP BOT	3/10 4/10 5/10 6/10 3/15 4/15 5/15 6/15	STND(W) CC####	DLH OCC D/O WCM	EM10 EM15	EM10 10 Watt EM Backup EM15 15 Watt EM Backup																																																																																																																			
<table border="1"> <thead> <tr> <th>Part #</th> <th>Description</th> <th>Light Loss</th> </tr> </thead> <tbody> <tr><td>850</td><td>80CRI CCT-5000K</td><td>0.0%</td></tr> <tr><td>840</td><td>80CRI CCT-4000K</td><td>3.2%</td></tr> <tr><td>835</td><td>80CRI CCT-3500K</td><td>4.3%</td></tr> <tr><td>830</td><td>80CRI CCT-3000K</td><td>6.9%</td></tr> <tr><td>827</td><td>80CRI CCT-2700K</td><td>10.1%</td></tr> <tr><td>927</td><td>90CRI CCT-2700K</td><td>22.3%</td></tr> </tbody> </table> <p>*Other CRI and CCT Available Contact Factory for Availability</p> <table border="1"> <thead> <tr> <th>Part #</th> <th>Description</th> <th>Light Loss</th> </tr> </thead> <tbody> <tr><td>NL</td><td>No Lens</td><td>0.0%</td></tr> <tr><td>CA4'</td><td>Clear Acrylic</td><td>10%</td></tr> <tr><td>CP4'</td><td>Clear Polycarbonate</td><td>14%</td></tr> <tr><td>WA4'</td><td>White Acrylic</td><td>16%</td></tr> <tr><td>WP4'</td><td>White Polycarbonate</td><td>25%</td></tr> </tbody> </table> <table border="1"> <tbody> <tr><td>NAT</td><td>Natatorium</td></tr> <tr><td>TC</td><td>Tennis Court</td></tr> <tr><td>MFG/WHs</td><td>Manufacturing/Warehouse</td></tr> <tr><td>GYM</td><td>Gymnasium</td></tr> <tr><td>A/FH</td><td>Arena/Field House</td></tr> <tr><td>ARCH</td><td>Architectural</td></tr> </tbody> </table> <table border="1"> <tbody> <tr><td>U10</td><td>Unv. 120-277V, 0-10V, dims to 10%</td></tr> <tr><td>U1</td><td>Unv. 120-277V, 0-10V, dims to 1%</td></tr> <tr><td>UX</td><td>Unv. 120-277V, No Dimming</td></tr> </tbody> </table> <table border="1"> <tbody> <tr><td colspan="3">For Use to Specify Critical Fixture Inputs or Outputs. Leave Blank for Fixture Performance as Shown Above.</td></tr> <tr><td>CFO</td><td>Custom Fixture Output. Specify Needed Lumens.</td></tr> <tr><td>CFI</td><td>Custom Fixture Input. Specify Needed Wattage.</td></tr> </tbody> </table> <table border="1"> <tbody> <tr><td>Deflector 4' - No Bend</td><td>Glare guard with flat front surface for moderate light-spill control</td></tr> <tr><td>Deflector 4' - With Bend</td><td>Glare Guard with additional light-spill control</td></tr> </tbody> </table> <p>* (1) Deflector per LED Bar, fixtures may be ordered with any number and combination of deflectors. See the detail sheet Online at: <a href="http://www.luxdynamics.com/cutsheets/WAVE/LUX_deflector.pdf">www.luxdynamics.com/cutsheets/WAVE/LUX_deflector.pdf</a></p> <table border="1"> <tbody> <tr><td>TOP</td><td>Lid Opens from Top</td></tr> <tr><td>BOT</td><td>Lid Opens from Bottom</td></tr> </tbody> </table> <table border="1"> <thead> <tr> <th>1<sup>st</sup> Digit</th> <th>Number of Conducting Wires</th> </tr> </thead> <tbody> <tr> <td>2<sup>nd</sup> Digit</td> <td>Length of Cord (feet)</td> </tr> </tbody> </table> <p>* Cord Lengths Available up to 30' 5-Wires Standard for 0-10V Dimming 4-Wires Standard for A/B Switching 3-Wires Standard for On/Off</p> <table border="1"> <tbody> <tr><td>STND</td><td>Standard Finish - As Shown in Photo Above</td></tr> <tr><td>CC####</td><td>Custom Color - Please Provide RAL Number</td></tr> </tbody> </table> <table border="1"> <tbody> <tr><td>H2P5</td><td>2-Point AC Cable up to 5' Length, Hook</td></tr> <tr><td>H2P10</td><td>2-Point AC Cable up to 10' Length, Hook</td></tr> <tr><td>H2P20</td><td>2-Point AC Cable up to 20' Length, Hook</td></tr> <tr><td>H2P5SS</td><td>Stainless Steel 2-Point AC Cable up to 5' Length, Hook</td></tr> <tr><td>H2P10SS</td><td>Stainless Steel 2-Point AC Cable up to 10' Length, Hook</td></tr> <tr><td>H2P20SS</td><td>Stainless Steel 2-Point AC Cable up to 20' Length, Hook</td></tr> <tr><td>H4P5</td><td>4-Point AC Cable up to 5' Length, Hook</td></tr> <tr><td>H4P10</td><td>4-Point AC Cable up to 10' Length, Hook</td></tr> <tr><td>H4P20</td><td>4-Point AC Cable up to 20' Length, Hook</td></tr> <tr><td>H4P5SS</td><td>Stainless Steel 4-Point AC Cable up to 5' Length, Hook</td></tr> <tr><td>H4P10SS</td><td>Stainless Steel 4-Point AC Cable up to 10' Length, Hook</td></tr> <tr><td>H4P20SS</td><td>Stainless Steel 4-Point AC Cable up to 20' Length, Hook</td></tr> <tr><td>MH1P</td><td>Meyer's Hub 1-Point, 3/4" GRC Adapter</td></tr> <tr><td>MH2P</td><td>Meyer's Hub 2-Point, 3/4" GRC Adapters</td></tr> <tr><td>SM</td><td>Surface Mount</td></tr> <tr><td>WM</td><td>Wall Mount</td></tr> <tr><td>TM</td><td>Truss Mount</td></tr> </tbody> </table> <p>* Custom Mounting Available - Contact Factory with Request * For lengths greater than 20' - Contact Factory with Request</p>																				Part #	Description	Light Loss	850	80CRI CCT-5000K	0.0%	840	80CRI CCT-4000K	3.2%	835	80CRI CCT-3500K	4.3%	830	80CRI CCT-3000K	6.9%	827	80CRI CCT-2700K	10.1%	927	90CRI CCT-2700K	22.3%	Part #	Description	Light Loss	NL	No Lens	0.0%	CA4'	Clear Acrylic	10%	CP4'	Clear Polycarbonate	14%	WA4'	White Acrylic	16%	WP4'	White Polycarbonate	25%	NAT	Natatorium	TC	Tennis Court	MFG/WHs	Manufacturing/Warehouse	GYM	Gymnasium	A/FH	Arena/Field House	ARCH	Architectural	U10	Unv. 120-277V, 0-10V, dims to 10%	U1	Unv. 120-277V, 0-10V, dims to 1%	UX	Unv. 120-277V, No Dimming	For Use to Specify Critical Fixture Inputs or Outputs. Leave Blank for Fixture Performance as Shown Above.			CFO	Custom Fixture Output. Specify Needed Lumens.	CFI	Custom Fixture Input. Specify Needed Wattage.	Deflector 4' - No Bend	Glare guard with flat front surface for moderate light-spill control	Deflector 4' - With Bend	Glare Guard with additional light-spill control	TOP	Lid Opens from Top	BOT	Lid Opens from Bottom	1 <sup>st</sup> Digit	Number of Conducting Wires	2 <sup>nd</sup> Digit	Length of Cord (feet)	STND	Standard Finish - As Shown in Photo Above	CC####	Custom Color - Please Provide RAL Number	H2P5	2-Point AC Cable up to 5' Length, Hook	H2P10	2-Point AC Cable up to 10' Length, Hook	H2P20	2-Point AC Cable up to 20' Length, Hook	H2P5SS	Stainless Steel 2-Point AC Cable up to 5' Length, Hook	H2P10SS	Stainless Steel 2-Point AC Cable up to 10' Length, Hook	H2P20SS	Stainless Steel 2-Point AC Cable up to 20' Length, Hook	H4P5	4-Point AC Cable up to 5' Length, Hook	H4P10	4-Point AC Cable up to 10' Length, Hook	H4P20	4-Point AC Cable up to 20' Length, Hook	H4P5SS	Stainless Steel 4-Point AC Cable up to 5' Length, Hook	H4P10SS	Stainless Steel 4-Point AC Cable up to 10' Length, Hook	H4P20SS	Stainless Steel 4-Point AC Cable up to 20' Length, Hook	MH1P	Meyer's Hub 1-Point, 3/4" GRC Adapter	MH2P	Meyer's Hub 2-Point, 3/4" GRC Adapters	SM	Surface Mount	WM	Wall Mount	TM	Truss Mount
Part #	Description	Light Loss																																																																																																																																			
850	80CRI CCT-5000K	0.0%																																																																																																																																			
840	80CRI CCT-4000K	3.2%																																																																																																																																			
835	80CRI CCT-3500K	4.3%																																																																																																																																			
830	80CRI CCT-3000K	6.9%																																																																																																																																			
827	80CRI CCT-2700K	10.1%																																																																																																																																			
927	90CRI CCT-2700K	22.3%																																																																																																																																			
Part #	Description	Light Loss																																																																																																																																			
NL	No Lens	0.0%																																																																																																																																			
CA4'	Clear Acrylic	10%																																																																																																																																			
CP4'	Clear Polycarbonate	14%																																																																																																																																			
WA4'	White Acrylic	16%																																																																																																																																			
WP4'	White Polycarbonate	25%																																																																																																																																			
NAT	Natatorium																																																																																																																																				
TC	Tennis Court																																																																																																																																				
MFG/WHs	Manufacturing/Warehouse																																																																																																																																				
GYM	Gymnasium																																																																																																																																				
A/FH	Arena/Field House																																																																																																																																				
ARCH	Architectural																																																																																																																																				
U10	Unv. 120-277V, 0-10V, dims to 10%																																																																																																																																				
U1	Unv. 120-277V, 0-10V, dims to 1%																																																																																																																																				
UX	Unv. 120-277V, No Dimming																																																																																																																																				
For Use to Specify Critical Fixture Inputs or Outputs. Leave Blank for Fixture Performance as Shown Above.																																																																																																																																					
CFO	Custom Fixture Output. Specify Needed Lumens.																																																																																																																																				
CFI	Custom Fixture Input. Specify Needed Wattage.																																																																																																																																				
Deflector 4' - No Bend	Glare guard with flat front surface for moderate light-spill control																																																																																																																																				
Deflector 4' - With Bend	Glare Guard with additional light-spill control																																																																																																																																				
TOP	Lid Opens from Top																																																																																																																																				
BOT	Lid Opens from Bottom																																																																																																																																				
1 <sup>st</sup> Digit	Number of Conducting Wires																																																																																																																																				
2 <sup>nd</sup> Digit	Length of Cord (feet)																																																																																																																																				
STND	Standard Finish - As Shown in Photo Above																																																																																																																																				
CC####	Custom Color - Please Provide RAL Number																																																																																																																																				
H2P5	2-Point AC Cable up to 5' Length, Hook																																																																																																																																				
H2P10	2-Point AC Cable up to 10' Length, Hook																																																																																																																																				
H2P20	2-Point AC Cable up to 20' Length, Hook																																																																																																																																				
H2P5SS	Stainless Steel 2-Point AC Cable up to 5' Length, Hook																																																																																																																																				
H2P10SS	Stainless Steel 2-Point AC Cable up to 10' Length, Hook																																																																																																																																				
H2P20SS	Stainless Steel 2-Point AC Cable up to 20' Length, Hook																																																																																																																																				
H4P5	4-Point AC Cable up to 5' Length, Hook																																																																																																																																				
H4P10	4-Point AC Cable up to 10' Length, Hook																																																																																																																																				
H4P20	4-Point AC Cable up to 20' Length, Hook																																																																																																																																				
H4P5SS	Stainless Steel 4-Point AC Cable up to 5' Length, Hook																																																																																																																																				
H4P10SS	Stainless Steel 4-Point AC Cable up to 10' Length, Hook																																																																																																																																				
H4P20SS	Stainless Steel 4-Point AC Cable up to 20' Length, Hook																																																																																																																																				
MH1P	Meyer's Hub 1-Point, 3/4" GRC Adapter																																																																																																																																				
MH2P	Meyer's Hub 2-Point, 3/4" GRC Adapters																																																																																																																																				
SM	Surface Mount																																																																																																																																				
WM	Wall Mount																																																																																																																																				
TM	Truss Mount																																																																																																																																				

# Option/Adder Data

Contact factory for detailed specification sheets on each option/adder. Every option/adder available in 347/480V, contact factory.

<b>Daylight Harvesting &amp; Occupancy Sensor- Dim</b>		<b>Daylight Harvesting Sensor - Dim</b>		<b>Occupancy Sensor - On/Off</b>		<b>Wireless Control Module</b>	
Control Type	PIR/PhotoCell 1-10V	Control Type	PhotoCell 1-10V	Control Type	PIR Line Voltage	Quantity Needed Per Fixture	1
Ambient Temperature	5°C to 55°C	Ambient Temperature	5°C to 55°C	Ambient Temperature	-10°C to 71°C	Ambient Temperature	-40°C to 55°C
Mounting Height	8' to 40'	Mounting Height	8' to 40'	Mounting Height	15' to 45'	Phone Application	Available

<b>Emergency Battery (12-Watt)</b>	
Initial Lumen Output	1626 Lumens Per Bar
Ambient Temperature	0°C to 55°C
Illumination Time	90 Minutes

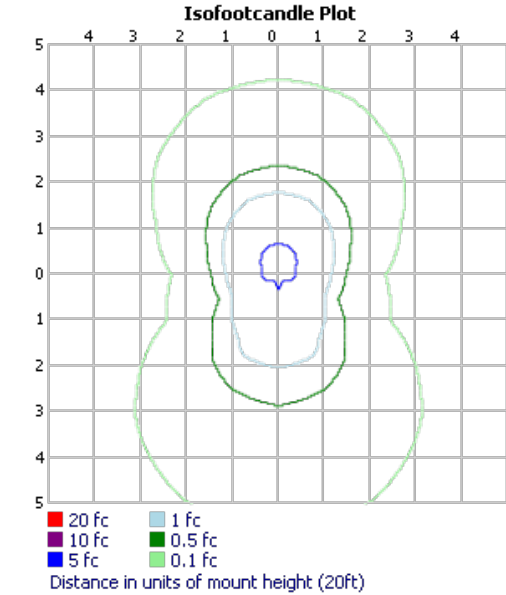
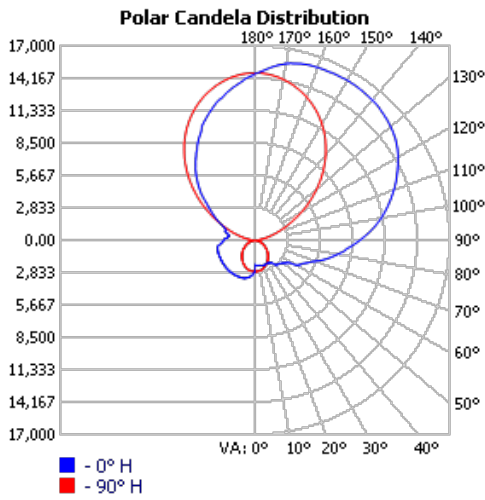
<b>Emergency Battery (10-Watt)</b>	
Initial Lumen Output	1355 Lumens Per Bar
Ambient Temperature	0°C to 55°C
Illumination Time	90 Minutes

<b>347/480Volt Step-Down Transformer</b>	
Quantity Needed Per Fixture	1
Ambient Temperature	-40°C to 100°C

TEST #: LLI-17198-8  
 TEST LAB: LIGHTLAB INTERNATIONAL (WWW.LIGHTLABINT.COM)  
 CATALOG: LUX-WAVE-6-D-HO2-850-4'-U10-CA4'

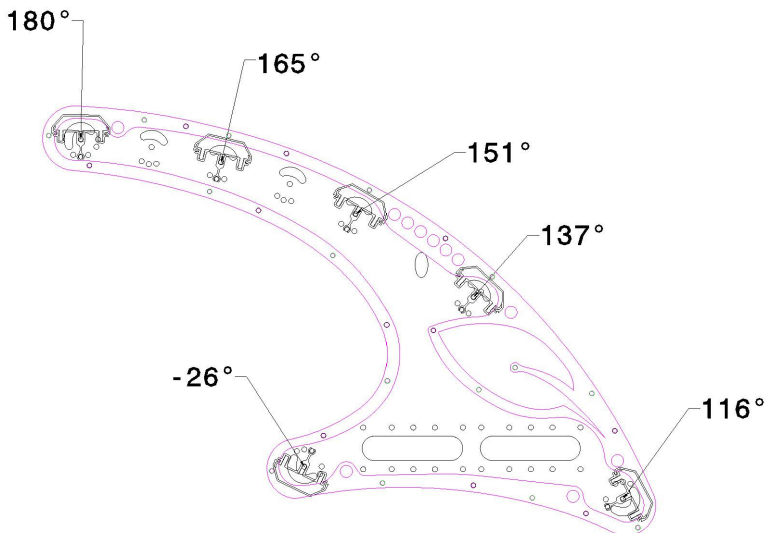
INPUT WATTAGE: 542.2

MAX CD: 16,157.4 AT HORIZONTAL: 0°, VERTICAL: 150.5°



ZONAL LUMEN SUMMARY		
ZONE	LUMENS	% LUMINAIRE
0-30	2,128.2	3.3%
0-40	3,624.9	5.6%
0-60	7,502.2	11.6%
60-90	8,626.1	13.3%
70-100	10,120.6	15.6%
90-120	14,965.6	23.1%
0-90	16,128.3	24.8%
90-180	48,778.2	75.2%
0-180	64,906.5	100%

Standard Bar Configuration, as Tested.



LCS TABLE		
BUG RATING	B3 - U5 - G5	
FORWARD LIGHT	LUMENS	LUMENS %
LOW(0-30):	907.8	1.4%
MEDIUM(30-60):	2,367.2	3.6%
HIGH(60-80):	3,073.5	4.7%
VERY HIGH(80-90):	2,393.7	3.7%
<b>BACK LIGHT</b>		
LOW(0-30):	1,220.7	1.9%
MEDIUM(30-60):	3,005.3	4.6%
HIGH(60-80):	2,211.6	3.4%
VERY HIGH(80-90):	951.4	1.5%
<b>UPLIGHT</b>		
LOW(90-100):	3,922.7	6%
HIGH(100-180):	44,840.2	69.1%
<b>TRAPPED LIGHT:</b>	12.5	0%