

Project Name:

Type:

Notes:

Catalog Number: LUX - WAVE - 8 - D - HO2 - - 4' -

High-bay LED luminaire specifically designed for indirect sports lighting applications. Intended for natatoriums and tennis courts but is suitable for almost any indirect lighting project where high uniformity is desired.

Optics:

- 360° Rotatable BARs for Customized Distributions
- Wide 120° Beam Angle for Maximum Uniformity
- Diffuse Lensing Available in Clear and White
- Optional Glare Guards for Up and Down Light, (1) per LED Bar

Mechanical:

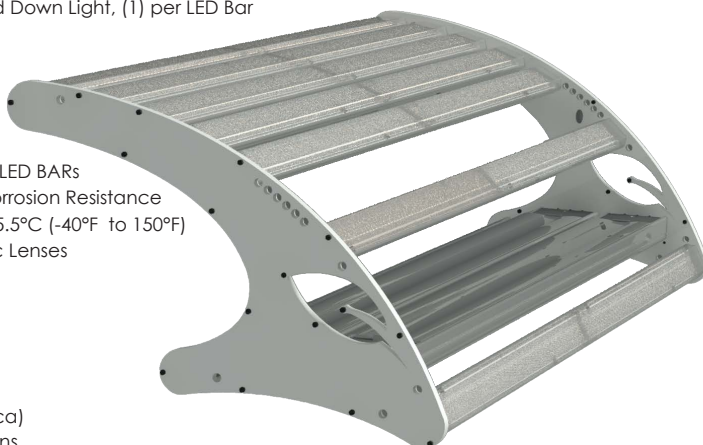
- Extruded Aluminum Construction
- Stainless Steel Hardware
- Isolated Driver Channels
- Thermally Independent Heat Sink LED BARs
- Anodized Brite-Dip for Superior Corrosion Resistance
- Ambient Temperature: -40°C to 65.5°C (-40°F to 150°F)
- Optional Polycarbonate or Acrylic Lenses

Components:

- High-Output Nichia LED Chips
- 90°C Osram Sylvania LED Drivers

Listings:

- ARRA Compliant (Made In America)
- UL1598 for Dry and Damp Locations



Standard Finish Includes (shown above):

- Brite-Dip Anodized Aluminum Extrusions
- White Powder Coated Aluminum Endcaps
- Natatorium Rated

Performance:

- 94,731 Nominal Lumens
- 724 Watts
- 131 Lumens/Watts
- LED Lifetime per TM-21: L(70) > 60,000 Hours
- Calculated Lifetime: L(70) > 150,000 Hours

Electrical:

- Input Voltage: 120-277V (347/480V Option Available)
- 0-10V Dimming Standard

Warranty:

- Fixture Body: 10 Years
- Electronics: 5 Years

Installation:

- Aircraft Cable Suspension
- Pendant Mount
- Custom Mounting

Fixture Dimensions:

- 47.5"L x 16"W x 12"H (120.7cm x 30.5cm x 3.8cm)

Fixture Weight:

- 32 Lbs (14.5 kg)

If any options are not desired, leave blank.

LUX - WAVE - 8 - D - HO2 - - 4' -

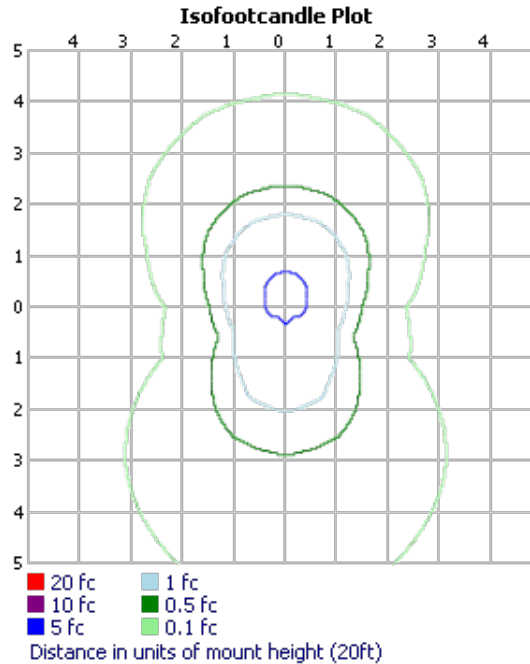
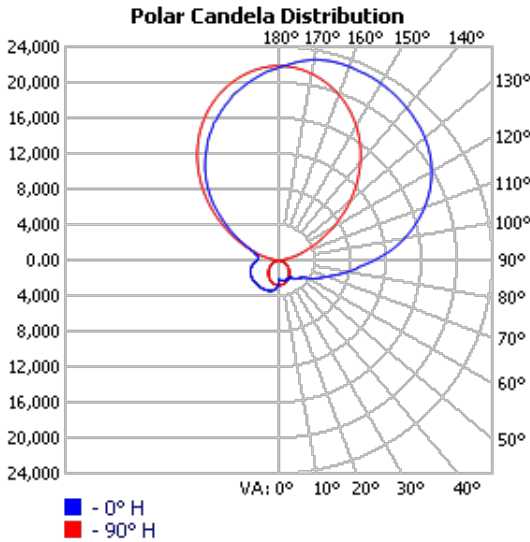
Mfr.	Series	Bi a VYf cZ6Ufg	Channel Config.	Module	CRI / CCT	@b[h Dim	0-10V Dim	Lens	Application	Voltage Option	Direction of Light	Custom Output	Glare Guard	Access to Electronics	Cord	Mounting	Finish	Controls	Emergency Driver																																																																																																											
WAVE	8	D - Double Channel	HO2	850 840 835 830 827 927	4'	U10 U1 UX	NL CA4' CP4' WA4' WP4'	NAT TC MFG/WHS GYM A/FH ARCH	Contact Factory if other than 120V-277V	DIR IND CLD	CFO CFI	Deflector *See Deflector Specification for Details	TOP BOT	3/10 4/10 5/10 6/10 3/15 4/15 5/15 6/15	STND(W) CC####	DLH OCC D/O WCM	EM10 10 Watt EM Backup																																																																																																													
<table border="1"> <thead> <tr> <th>Part #</th> <th>Description</th> <th>Light Loss</th> </tr> </thead> <tbody> <tr><td>850</td><td>80CRI CCT-5000K</td><td>0.0%</td></tr> <tr><td>840</td><td>80CRI CCT-4000K</td><td>3.2%</td></tr> <tr><td>835</td><td>80CRI CCT-3500K</td><td>4.3%</td></tr> <tr><td>830</td><td>80CRI CCT-3000K</td><td>6.9%</td></tr> <tr><td>827</td><td>80CRI CCT-2700K</td><td>10.1%</td></tr> <tr><td>927</td><td>90CRI CCT-2700K</td><td>22.3%</td></tr> </tbody> </table> <p>*Other CRI and CCT Available Contact Factory for Availability</p> <table border="1"> <thead> <tr> <th>Part #</th> <th>Description</th> <th>Light Loss</th> </tr> </thead> <tbody> <tr><td>NL</td><td>No Lens</td><td>0.0%</td></tr> <tr><td>CA4'</td><td>Clear Acrylic</td><td>10%</td></tr> <tr><td>CP4'</td><td>Clear Polycarbonate</td><td>14%</td></tr> <tr><td>WA4'</td><td>White Acrylic</td><td>16%</td></tr> <tr><td>WP4'</td><td>White Polycarbonate</td><td>25%</td></tr> </tbody> </table> <table border="1"> <tbody> <tr><td>NAT</td><td>Natatorium</td></tr> <tr><td>TC</td><td>Tennis Court</td></tr> <tr><td>MFG/WHS</td><td>Manufacturing/Warehouse</td></tr> <tr><td>GYM</td><td>Gymnasium</td></tr> <tr><td>A/FH</td><td>Arena/Field House</td></tr> <tr><td>ARCH</td><td>Architectural</td></tr> </tbody> </table> <table border="1"> <tbody> <tr><td>DIR</td><td>Direct Lighting: Bars Aimed Down</td></tr> <tr><td>IND</td><td>Indirect Lighting: Bars Aimed Up</td></tr> <tr><td>CLD</td><td>Custom Light Distribution</td></tr> </tbody> </table> <table border="1"> <tbody> <tr><td>TOP</td><td>Lid Opens from Top</td></tr> <tr><td>BOT</td><td>Lid Opens from Bottom</td></tr> </tbody> </table> <table border="1"> <thead> <tr> <th>1st Digit</th> <th>Number of Conducting Wires</th> </tr> </thead> <tbody> <tr> <td>2nd Digit</td> <td>Length of Cord (feet)</td> </tr> </tbody> </table> <p>* Cord Lengths Available up to 30' 5-Wires Standard for 0-10V Dimming 4-Wires Standard for A/B Switching 3-Wires Standard for On/Off</p> <table border="1"> <tbody> <tr><td>H2P5</td><td>2-Point AC Cable up to 5' Length, Hook</td></tr> <tr><td>H2P10</td><td>2-Point AC Cable up to 10' Length, Hook</td></tr> <tr><td>H2P20</td><td>2-Point AC Cable up to 20' Length, Hook</td></tr> <tr><td>H2P5SS</td><td>Stainless Steel 2-Point AC Cable up to 5' Length, Hook</td></tr> <tr><td>H2P10SS</td><td>Stainless Steel 2-Point AC Cable up to 10' Length, Hook</td></tr> <tr><td>H2P20SS</td><td>Stainless Steel 2-Point AC Cable up to 20' Length, Hook</td></tr> <tr><td>H4P5</td><td>4-Point AC Cable up to 5' Length, Hook</td></tr> <tr><td>H4P10</td><td>4-Point AC Cable up to 10' Length, Hook</td></tr> <tr><td>H4P20</td><td>4-Point AC Cable up to 20' Length, Hook</td></tr> <tr><td>H4P5SS</td><td>Stainless Steel 4-Point AC Cable up to 5' Length, Hook</td></tr> <tr><td>H4P10SS</td><td>Stainless Steel 4-Point AC Cable up to 10' Length, Hook</td></tr> <tr><td>H4P20SS</td><td>Stainless Steel 4-Point AC Cable up to 20' Length, Hook</td></tr> <tr><td>MH1P</td><td>Meyer's Hub 1-Point, 3/4" GRC Adapter</td></tr> <tr><td>MH2P</td><td>Meyer's Hub 2-Point, 3/4" GRC Adapters</td></tr> <tr><td>SM</td><td>Surface Mount</td></tr> <tr><td>WM</td><td>Wall Mount</td></tr> <tr><td>TM</td><td>Truss Mount</td></tr> </tbody> </table> <p>* Custom Mounting Available - Contact Factory with Request * For lengths greater than 20' - Contact Factory with Request</p> <table border="1"> <tbody> <tr><td>STND</td><td>Standard Finish - As Shown in Photo Above</td></tr> <tr><td>CC####</td><td>Custom Color - Please Provide RAL Number</td></tr> </tbody> </table> <p>For Use to Specify Critical Fixture Inputs or Outputs. Leave Blank for Fixture Performance as Shown Above.</p> <table border="1"> <tbody> <tr><td>CFO</td><td>Custom Fixture Output. Specify Needed Lumens.</td></tr> <tr><td>CFI</td><td>Custom Fixture Input. Specify Needed Wattage.</td></tr> </tbody> </table> <p>Deflector 4' - No Bend Glare guard with flat front surface for moderate light-spill control</p> <p>Deflector 4' - With Bend Glare Guard with additional light-spill control</p> <p>* (1) Deflector per LED Bar, fixtures may be ordered with any number and combination of deflectors. See the detail sheet Online at: www.luxdynamics.com/cutsheets/WAVE/LUX_deflector.pdf</p>																				Part #	Description	Light Loss	850	80CRI CCT-5000K	0.0%	840	80CRI CCT-4000K	3.2%	835	80CRI CCT-3500K	4.3%	830	80CRI CCT-3000K	6.9%	827	80CRI CCT-2700K	10.1%	927	90CRI CCT-2700K	22.3%	Part #	Description	Light Loss	NL	No Lens	0.0%	CA4'	Clear Acrylic	10%	CP4'	Clear Polycarbonate	14%	WA4'	White Acrylic	16%	WP4'	White Polycarbonate	25%	NAT	Natatorium	TC	Tennis Court	MFG/WHS	Manufacturing/Warehouse	GYM	Gymnasium	A/FH	Arena/Field House	ARCH	Architectural	DIR	Direct Lighting: Bars Aimed Down	IND	Indirect Lighting: Bars Aimed Up	CLD	Custom Light Distribution	TOP	Lid Opens from Top	BOT	Lid Opens from Bottom	1 st Digit	Number of Conducting Wires	2 nd Digit	Length of Cord (feet)	H2P5	2-Point AC Cable up to 5' Length, Hook	H2P10	2-Point AC Cable up to 10' Length, Hook	H2P20	2-Point AC Cable up to 20' Length, Hook	H2P5SS	Stainless Steel 2-Point AC Cable up to 5' Length, Hook	H2P10SS	Stainless Steel 2-Point AC Cable up to 10' Length, Hook	H2P20SS	Stainless Steel 2-Point AC Cable up to 20' Length, Hook	H4P5	4-Point AC Cable up to 5' Length, Hook	H4P10	4-Point AC Cable up to 10' Length, Hook	H4P20	4-Point AC Cable up to 20' Length, Hook	H4P5SS	Stainless Steel 4-Point AC Cable up to 5' Length, Hook	H4P10SS	Stainless Steel 4-Point AC Cable up to 10' Length, Hook	H4P20SS	Stainless Steel 4-Point AC Cable up to 20' Length, Hook	MH1P	Meyer's Hub 1-Point, 3/4" GRC Adapter	MH2P	Meyer's Hub 2-Point, 3/4" GRC Adapters	SM	Surface Mount	WM	Wall Mount	TM	Truss Mount	STND	Standard Finish - As Shown in Photo Above	CC####	Custom Color - Please Provide RAL Number	CFO	Custom Fixture Output. Specify Needed Lumens.	CFI	Custom Fixture Input. Specify Needed Wattage.
Part #	Description	Light Loss																																																																																																																												
850	80CRI CCT-5000K	0.0%																																																																																																																												
840	80CRI CCT-4000K	3.2%																																																																																																																												
835	80CRI CCT-3500K	4.3%																																																																																																																												
830	80CRI CCT-3000K	6.9%																																																																																																																												
827	80CRI CCT-2700K	10.1%																																																																																																																												
927	90CRI CCT-2700K	22.3%																																																																																																																												
Part #	Description	Light Loss																																																																																																																												
NL	No Lens	0.0%																																																																																																																												
CA4'	Clear Acrylic	10%																																																																																																																												
CP4'	Clear Polycarbonate	14%																																																																																																																												
WA4'	White Acrylic	16%																																																																																																																												
WP4'	White Polycarbonate	25%																																																																																																																												
NAT	Natatorium																																																																																																																													
TC	Tennis Court																																																																																																																													
MFG/WHS	Manufacturing/Warehouse																																																																																																																													
GYM	Gymnasium																																																																																																																													
A/FH	Arena/Field House																																																																																																																													
ARCH	Architectural																																																																																																																													
DIR	Direct Lighting: Bars Aimed Down																																																																																																																													
IND	Indirect Lighting: Bars Aimed Up																																																																																																																													
CLD	Custom Light Distribution																																																																																																																													
TOP	Lid Opens from Top																																																																																																																													
BOT	Lid Opens from Bottom																																																																																																																													
1 st Digit	Number of Conducting Wires																																																																																																																													
2 nd Digit	Length of Cord (feet)																																																																																																																													
H2P5	2-Point AC Cable up to 5' Length, Hook																																																																																																																													
H2P10	2-Point AC Cable up to 10' Length, Hook																																																																																																																													
H2P20	2-Point AC Cable up to 20' Length, Hook																																																																																																																													
H2P5SS	Stainless Steel 2-Point AC Cable up to 5' Length, Hook																																																																																																																													
H2P10SS	Stainless Steel 2-Point AC Cable up to 10' Length, Hook																																																																																																																													
H2P20SS	Stainless Steel 2-Point AC Cable up to 20' Length, Hook																																																																																																																													
H4P5	4-Point AC Cable up to 5' Length, Hook																																																																																																																													
H4P10	4-Point AC Cable up to 10' Length, Hook																																																																																																																													
H4P20	4-Point AC Cable up to 20' Length, Hook																																																																																																																													
H4P5SS	Stainless Steel 4-Point AC Cable up to 5' Length, Hook																																																																																																																													
H4P10SS	Stainless Steel 4-Point AC Cable up to 10' Length, Hook																																																																																																																													
H4P20SS	Stainless Steel 4-Point AC Cable up to 20' Length, Hook																																																																																																																													
MH1P	Meyer's Hub 1-Point, 3/4" GRC Adapter																																																																																																																													
MH2P	Meyer's Hub 2-Point, 3/4" GRC Adapters																																																																																																																													
SM	Surface Mount																																																																																																																													
WM	Wall Mount																																																																																																																													
TM	Truss Mount																																																																																																																													
STND	Standard Finish - As Shown in Photo Above																																																																																																																													
CC####	Custom Color - Please Provide RAL Number																																																																																																																													
CFO	Custom Fixture Output. Specify Needed Lumens.																																																																																																																													
CFI	Custom Fixture Input. Specify Needed Wattage.																																																																																																																													

Option/Adder Data

Contact factory for detailed specification sheets on each option/adder. Every option/adder available in 347/480V, contact factory.

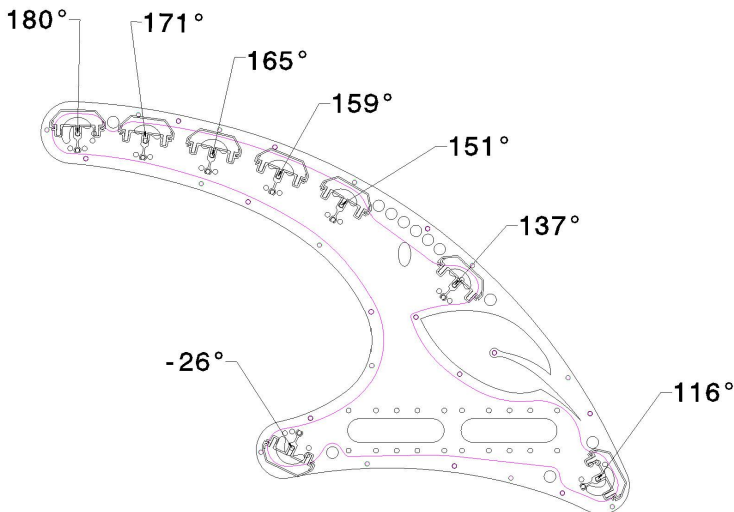
Daylight Harvesting & Occupancy Sensor- Dim		Daylight Harvesting Sensor - Dim		Occupancy Sensor - On/Off	
Control Type	PIR/Photocell 1-10V	Control Type	Photocell 1-10V	Control Type	PIR Line Voltage
Ambient Temperature	5°C to 55°C	Ambient Temperature	5°C to 55°C	Ambient Temperature	-10°C to 71°C
Mounting Height	8' to 40'	Mounting Height	8' to 40'	Mounting Height	15' to 45'

TEST #: LLI-17198-6
 TEST LAB: TEST LIGHTLAB INTERNATIONAL (WWW.LIGHTLABINT.COM)
 CATALOG: LUX-WAVE-8-D-HO2-850-4'-U10-CA4'
 INPUT WATTAGE: 724.1
 MAX CD: 23,198.6 AT HORIZONTAL: 0°, VERTICAL: 163°



ZONAL LUMEN SUMMARY		
ZONE	LUMENS	% LUMINAIRE
0-30	2,194.7	2.5%
0-40	3,737.6	4.3%
0-60	7,713.0	9%
60-90	8,819.0	10.2%
70-100	11,031.0	12.8%
90-120	19,737.8	22.9%
0-90	16,531.9	19.2%
90-180	69,610.7	80.8%
0-180	86,142.7	100%

Standard Bar Configuration, as Tested.



LCS TABLE		
BUG RATING	B3 - U5 - G5	
FORWARD LIGHT	LUMENS	LUMENS %
LOW(0-30):	924.4	1.1%
MEDIUM(30-60):	2,352.0	2.7%
HIGH(60-80):	3,071.8	3.6%
VERY HIGH(80-90):	2,628.3	3.1%
BACK LIGHT		
LOW(0-30):	1,270.6	1.5%
MEDIUM(30-60):	3,165.0	3.7%
HIGH(60-80):	2,244.4	2.6%
VERY HIGH(80-90):	877.9	1%
UPLIGHT		
LOW(90-100):	4,669.4	5.4%
HIGH(100-180):	64,918.0	75.4%
TRAPPED LIGHT:	20.9	0%