

PHOTOMETRIC DATA

LUX-IK10P-E-4-DA-HO3-850-4-U10-CA4

LUMEN OUTPUT TABLE

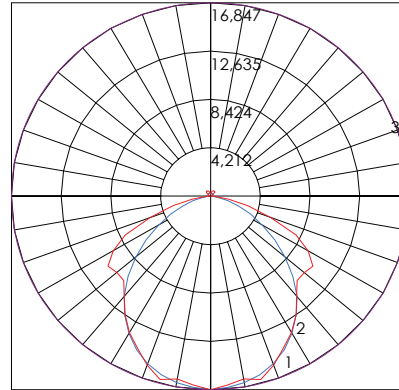
80+ CRI STANDARD

Lens	5000K	4000K	3500K	3000K
NL (No Lens)	52,415	50,318	49,270	48,222
CAx (Clear Acrylic)	47,698	45,790	44,836	43,882
WAx (White Acrylic)	44,029	42,267	41,387	40,506
CPx (Clear Polycarbonate)	45,077	43,274	42,372	41,471
WPx (White Polycarbonate)	40,884	39,248	38,431	37,613

ZONAL LUMEN SUMMARY

Zone	Lumens	%Fixt
0-20	6,101	12.60%
0-30	12,895	26.60%
0-40	20,834	42.90%
0-60	36,385	75.00%
0-80	46,009	94.80%
0-90	46,831	96.50%
10-90	45,256	93.30%
20-40	14,733	30.40%
20-50	22,706	46.80%
40-70	21,754	44.80%
60-80	9,624	19.80%
70-80	3,421	7.10%
80-90	822	1.70%
90-110	201	0.40%
90-120	402	0.80%
90-130	732	1.50%
90-150	1,395	2.90%
90-180	1,686	3.50%
110-180	1,485	3.10%
0-180	48,517	100.00%

POLAR CANDELA GRAPH



LEGEND:

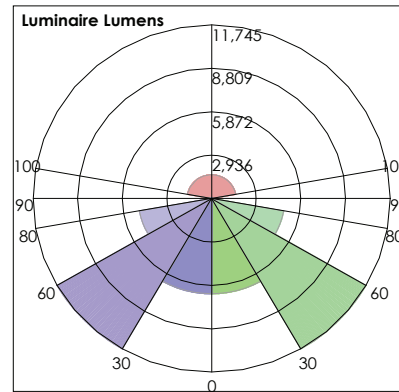
MAXIMUM CANDELA = 16847
LOCATED AT:
HORIZONTAL ANGLE = 0,
VERTICAL ANGLE = 0

#1: VERTICAL PLANE
THROUGH HORIZONTAL
ANGLES (0 - 180)
(THROUGH MAX. CD.)

#2: VERTICAL PLANE
THROUGH HORIZONTAL
ANGLES (90 - 270)

#3: HORIZONTAL CONE
THROUGH VERTICAL ANGLE
(0) (THROUGH MAX. CD.)

LCS GRAPH



FRONT:
LOW=6447.7
MEDIUM=11744.8
HIGH=4811.9
VERY HIGH=410.9

BACK:
LOW=6447.7
MEDIUM=11744.8
HIGH=4811.9
VERY HIGH=410.9

UPLIGHT:
LOW=86.7
HIGH=1599.6

BUG RATING:
B5-U5-G3

COEFFICIENTS OF UTILIZATION - ZONAL CAVITY METHOD

EFFECTIVE FLOOR CAVITY REFLECTANCE: 20%

RC	80				70				50				40				10				0	
	RW	70	50	30	10	70	50	30	10	50	30	10	50	30	10	50	30	10	50	30	10	0
0	1.18	1.18	1.18	1.18	1.15	1.15	1.15	1.15	1.15	1.09	1.09	1.09	1.04	1.04	1.04	.99	.99	.99	.99	.99	.99	.97
1	1.08	1.03	.99	.95	1.05	1.00	.97	.93	.96	.92	.89	.91	.88	.86	.87	.87	.85	.83	.81	.81	.81	.81
2	.98	.90	.83	.77	.95	.87	.81	.76	.83	.78	.73	.79	.75	.71	.76	.72	.69	.67	.67	.67	.67	.67
3	.89	.79	.70	.64	.86	.77	.69	.63	.73	.67	.61	.70	.65	.60	.67	.62	.58	.56	.56	.56	.56	.56
4	.82	.69	.61	.54	.79	.68	.60	.53	.65	.58	.52	.62	.56	.51	.60	.54	.50	.48	.48	.48	.48	.48
5	.75	.62	.53	.46	.73	.61	.52	.46	.58	.51	.45	.56	.49	.44	.54	.48	.43	.41	.41	.41	.41	.41
6	.69	.56	.47	.40	.67	.55	.46	.40	.53	.45	.39	.50	.44	.39	.49	.43	.38	.36	.36	.36	.36	.36
7	.64	.51	.42	.36	.62	.50	.41	.35	.48	.40	.35	.46	.39	.34	.44	.38	.34	.32	.32	.32	.32	.32
8	.60	.46	.38	.32	.58	.45	.37	.32	.44	.36	.31	.42	.36	.31	.41	.35	.30	.28	.28	.28	.28	.28
9	.56	.42	.34	.29	.54	.42	.34	.28	.40	.33	.28	.39	.32	.28	.38	.32	.27	.26	.26	.26	.26	.26
10	.52	.39	.31	.26	.51	.38	.31	.26	.37	.30	.26	.36	.30	.25	.35	.29	.25	.23	.23	.23	.23	.23

OPTION DATA

CONTACT FACTORY FOR DETAILED SPECIFICATIONS OF EACH OPTION. CONTACT FACTORY FOR USE IN 347/480V APPLICATIONS.

DAYLIGHT HARVESTING & OCCUPANCY SENSOR	
CONTROL TYPE	PIR/PHOTOCELL 1-10v
AMBIENT TEMPERATURE	5°C TO 55°C
MOUNTING HEIGHT	8' TO 40'

OCCUPANCY SENSOR - ON/OFF	
CONTROL TYPE	PIR LINE VOLTAGE
AMBIENT TEMPERATURE	-10°C TO 60°C, LOW TEMP OPTION AVAILABLE
MOUNTING HEIGHT	15' TO 40'

WIRELESS CONTROL MODULE	
CONTACT FACTORY FOR WIRELESS CONTROL/SENSOR OPTIONS	

EMERGENCY BATTERY 10-WATT	
APPROX. LUMEN OUTPUT	1,360 LUMENS WITH CA LENS AND 5000K
AMBIENT TEMPERATURE	0°C TO 55°C
ILLUMINATION TIME	90 MINUTES

EMERGENCY BATTERY 15-WATT	
APPROX. LUMEN OUTPUT	2,040 LUMENS WITH CA LENS AND 5000K
AMBIENT TEMPERATURE	0°C TO 55°C
ILLUMINATION TIME	90 MINUTES

MOUNTING DETAILS

CABLE MOUNTS:



HXX-18Y OR HXX-18Y T (AC CABLE 2-POINT)
 -"XX" DENOTES LENGTH IN FEET.
 AVAILABLE IN 10', 20', 30'
 -"T" AT END OF PART NUMBER
 DENOTES TOGGLE INSTEAD OF HOOK



H4PXX (AC CABLE 4-POINT)
 -"XX" DENOTES LENGTH IN FEET.
 AVAILABLE IN 10', 20', 30'
 -"SS" AT END OF PART NUMBER
 DENOTES NATATORIUM GRADE 316 STAINLESS STEEL.
 RECOMMENDED FOR NATATORIUM APPLICATIONS

PENDANT MOUNT:



SPM (SINGLE POINT MOUNT)
 -3/4" IP THREADED HUB, SUSPENDED JUNCTION BOX
 -FIXED LENGTH (3' OR 5') AIRCRAFT CABLE HANGERS
 PROVIDED WITH HOOK ENDS.
 -POWER CORD ORDERED SEPARATELY

MYER'S HUB PENDANT MOUNTS:

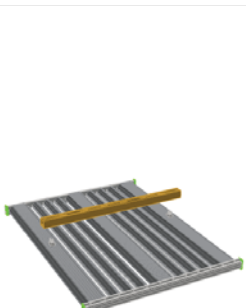


MH1P (MYERS HUB 1 POINT)
 -(1) 3/4" IP THREADED HUB PROVIDED
 -OTHER HUB DIAMETERS ARE AVAILABLE, CONTACT FACTORY
 -MACHINED MOUNTING POINT IN FIXTURE CENTER PROVIDED
 -STEM/THREADED ROD NOT PROVIDED
 -NOT AVAILABLE ON ALL MODELS AND OPTIONS,
 CONTACT FACTORY FOR DETAILS.

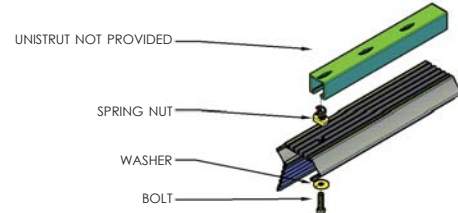
SURFACE MOUNTS:




SM (SURFACE MOUNT)
 -NO ADDITIONAL HANGING HARDWARE PROVIDED
 -FIXTURE MAY BE ANCHORED TO ANY SUITABLE SUBSTRATE
 THROUGH ELECTRONICS CHANNEL



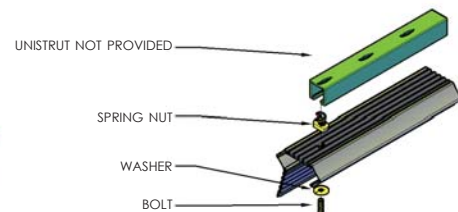
UH2 (UNISTRUT HARDWARE, 2 POINT)
 -UNISTRUT HARDWARE INCLUDES SPRING-NUT AND BOLT
 -2 SETS WILL BE PROVIDED



UNISTRUT NOT PROVIDED
 SPRING NUT
 WASHER
 BOLT



UH4 (UNISTRUT HARDWARE, 4 POINT)
 -UNISTRUT HARDWARE INCLUDES SPRING-NUT AND BOLT
 -4 SETS WILL BE PROVIDED



UNISTRUT NOT PROVIDED
 SPRING NUT
 WASHER
 BOLT