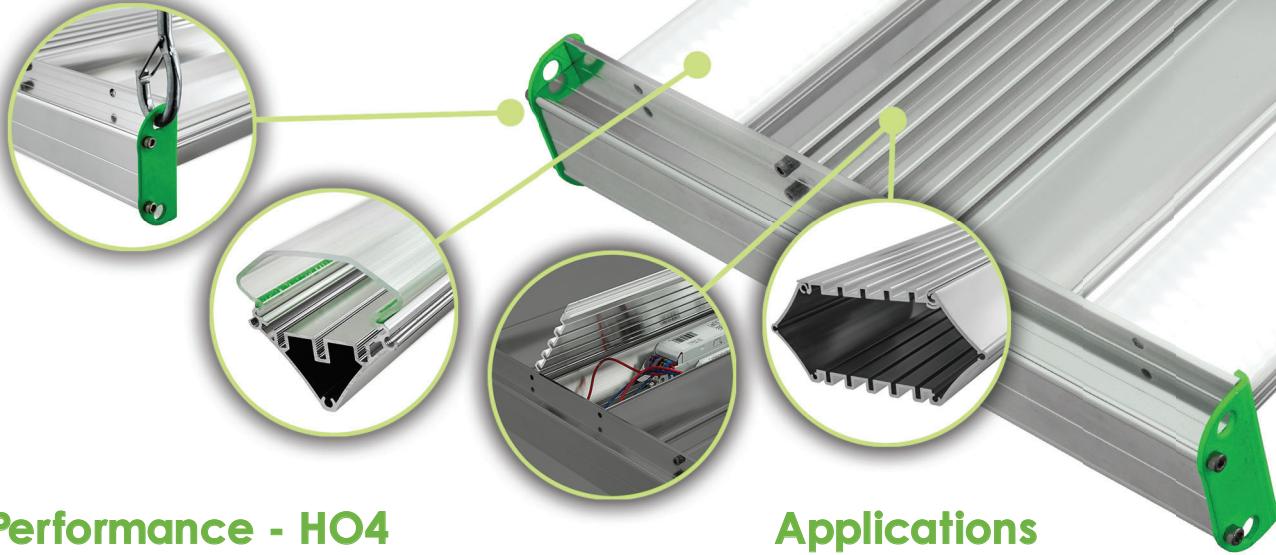




# Series - Specification Sheet



## Performance - HO4

- Lumen output: **24,000, 48,000, and 72,000 lumens**
- Efficacy: **Up to 155 Lumens per Watt**
- L<sub>70</sub> (per TM-21): **60,000 Hours**
- L<sub>70</sub> (calculated): **116,000 Hours**
- Ambient Temp. Rating: **-40°F to 150°F (-40°C to 65.5°C)**  
Ambient temperature rating varies for auxiliary components
- Surge Protection: **6kV**
- Driver: **120-277V input, 0-10V Dimming (down to 10%)**

## Construction

- Extruded 6463 aluminum construction
- Stainless-steel hardware
- Bright dip anodized fixture body
- Isolated driver channels
- Thermally independent heat sink LED bars

## Optics

- Wide 120° beam angle LEDs
- Optional narrow optic for racking and aisle applications
- Diffusing lens available in frosted/clear material
- Acrylic lens material
- Lens offers up to 6% uplight
- Special requests, contact Factory

## Applications

- Warehouses
- Manufacturing/Industrial
- Arenas/Fieldhouses
- Natatoriums
- Hangars

## Installation

- Aircraft cable suspension
- Surface mounting
- For special requests, contact Factory

## Listing and Ratings

- UL 1598 for Dry and Damp Locations
- ARRA Compliant (Made in America)
- IP56 Rated
- DLC Premium Listed
- 3G Vibration Rated

## Warranty

- 10-Year Warranty on fixture body
- 5-Year Warranty on electronics
- For special requests, contact Factory



Example Catalog Number:

GO2		24	850	
		Delivered lumens with HO4, 5000K/4000K color, and CA lens		
Series	Lumen Output		CRI / CCT	
GO2	24	23,979lm	850	80CRI   5000K
	48	47,248lm	840	80CRI   4000K
	72	70,627lm		

## Options and Accessories

**Lensing (blank)** NL Clear acrylic diffuse lens (standard)  
**NL** No lensing

**Cord (not installed)**  
**(leave blank)** No cord provided  
**3/10** 3-wire, 10' cord | Standard white  
**4/10** 4-wire, 10' cord | Standard white  
**5/10** 5-wire, 10' cord | Standard white

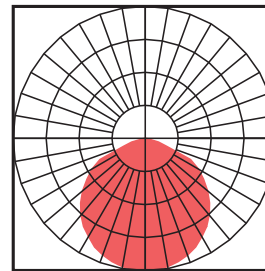
Cord not installed  
 Standard 1/2" knockout provided in endcap for cord installation  
 1<sup>st</sup> digit: Number of wires, including ground. Available from 3 through 6.  
 2<sup>nd</sup> digit: Overall length, including strips. Available from 10' through 30'.

**Mounting (leave blank)** No mounting hardware provided  
**10Y** 10' Y-Hanger with hook ends for mounting  
**SM** No mounting Hardware Provided, may be surface mounted  
 Contact Factory for other options

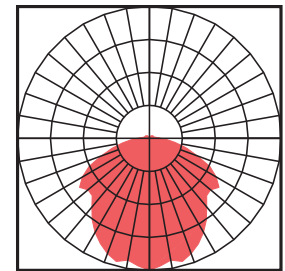
**Controls - (120-277v input)**  
**OC-GO2** Knockout mounted on/off occupancy sensor  
**OC** Integral on/off occupancy sensor  
**DO-GO2** Knockout mounted high/low/off occupancy and daylight harvesting sensor  
**DO** Integral high/low/off occupancy and daylight harvesting sensor

**Emergency**  
**E20** 20-watt non-integral emergency battery (CA Title-20 compliant) must be field-installed  
**E30** 30-watt non-integral emergency battery (CA Title-20 compliant) must be field-installed  
 Contact Factory for integral configurations

**(No Lens)**  
 standard 120° distribution achieved when using bare LEDs with no secondary optics



**Lensed**  
 wide/diffused optic achieved using any of our standard lenses



### Emergency Battery Performance

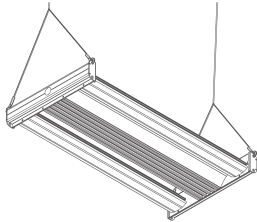
E20 (20 Watt EM)	
Lens Option	Delivered Lumens
NL	4,190
CA	3,920

E30 (30 Watt EM)	
Lens Option	Delivered Lumens
NL	6,269
CA	5,864

## Mounting Option Details

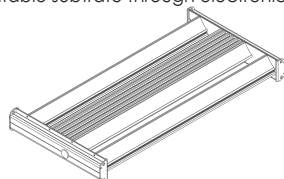
### 2-Point Y-Cable Mount

Part Numbers:  
**10Y**  
 Description:  
 • 10' in length  
 • Galvanized steel cable and mounting hook



### Surface mounting (no additional hardware or mounting holes supplied)

Part Number:  
**SM**  
 Description:  
 • SM available for all options, no additional hardware supplied  
 • Fixture may be anchored flush to any suitable substrate through electronics channel



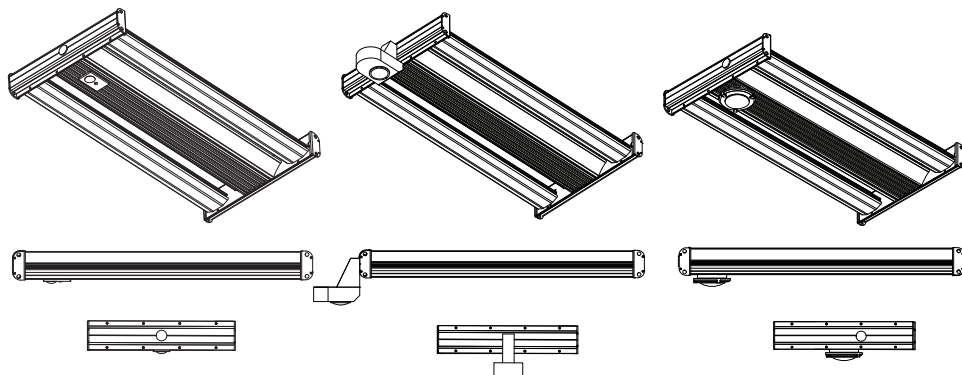
## Sensor Details

### Occupancy Sensor

Part Numbers:  
**OC, OC-GO2**  
 Description:  
 • PIR occupancy sensor (line voltage 120-277V input and 0-10V dimming)  
 • Ambient temperature rating: -10°C to 60°C  
 • Mounting height: 15' to 45'  
 • Coverage area: 15' to 20' radial coverage (30'-40' diameter) typical

### Daylight Harvesting Sensor

Part Numbers:  
**DO, DO-GO2**  
 Description:  
 • DLH photocell sensor (line voltage 120-277V input and 0-10V dimming)  
 • Ambient temperature rating: -40°C to 70°C  
 • Mounting height: 8' to 45'  
 • Coverage area: 100' diameter at 40' mounting height



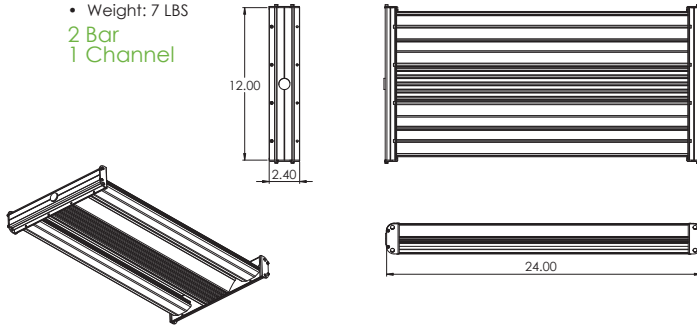
# Technical Specifications

Delivered lumens based on HO4 performance data

**Part #**  
**GO2-24-840 (for 4000K) or GO2-24-850 (for 5000K)**

- 24"L x 12"W x 2.4"H
- Weight: 7 LBS

2 Bar  
 1 Channel



**5000K**

Model	Delivered Lumens	Wattage	Efficacy
GO2-24-850-NL	25,637	166	154
GO2-24-850-CA	23,979	166	144

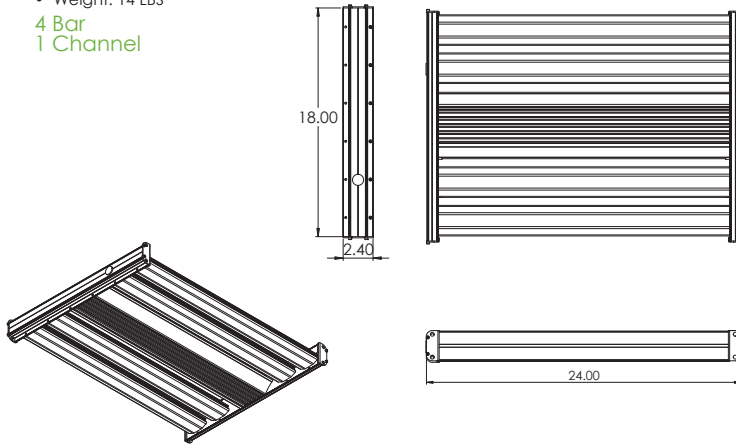
**4000K**

Model	Delivered Lumens	Wattage	Efficacy
GO2-24-840-NL	25,637	166	154
GO2-24-840-CA	23,979	166	144

**Part #**  
**GO2-48-840 (for 4000K) or GO2-48-850 (for 5000K)**

- 24"L x 24"W x 2.4"H
- Weight: 14 LBS

4 Bar  
 1 Channel



**5000K**

Model	Delivered Lumens	Wattage	Efficacy
GO2-48-850-NL	50,513	332	152
GO2-48-850-CA	47,248	332	142

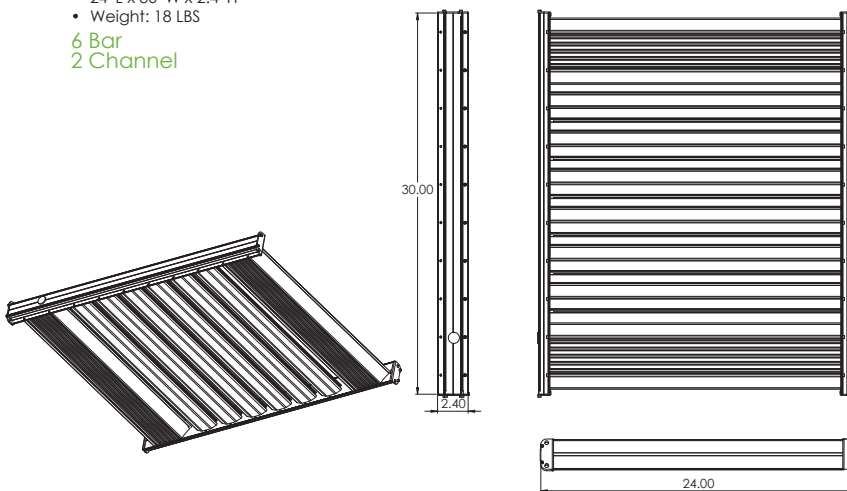
**4000K**

Model	Delivered Lumens	Wattage	Efficacy
GO2-48-840-NL	50,513	332	152
GO2-48-840-CA	47,248	332	142

**Part #**  
**GO2-72-840 (for 4000K) or GO2-72-850 (for 5000K)**

- 24"L x 30"W x 2.4"H
- Weight: 18 LBS

6 Bar  
 2 Channel



**5000K**

Model	Delivered Lumens	Wattage	Efficacy
GO2-72-850-NL	75,507	497	152
GO2-72-850-CA	70,627	497	142

**4000K**

Model	Delivered Lumens	Wattage	Efficacy
GO2-72-840-NL	75,507	497	152
GO2-72-840-CA	70,627	497	142