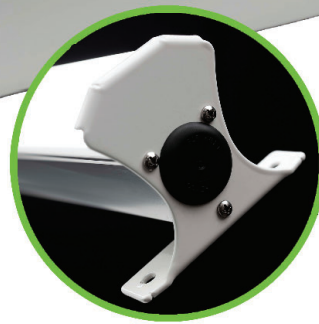


LUX | HIGHline

Extruded aluminum architectural and task lighting LED luminaire for use in applications including, but not limited to subways, parking garages, airports, and office spaces.



Performance

- Lumen output: **Up to 4,300 lumens per foot**
- Efficacy: **Up to 161 Lumens per Watt**
- L₇₀ (per TM-21): **72,000 Hours**
- L₇₀ (calculated): **147,000 Hours**
- Ambient Temp. Rating: **-40°F to 113°F (-40°C to 45°C)**
Ambient temperature rating varies for auxiliary components
- Surge Protection: **6kV**
- Driver: **120-277V input, 0-10V Dimming (down to 1%)**
347-480V input, 0-10V Dimming (down to 1%)

Construction

- Extruded 6463 aluminum construction
- Stainless-steel hardware
- Bright dip anodized fixture body

Optics

- Wide 120° beam angle LEDs
- Optional narrow optic for aisle and racking applications
- Diffusing lens available in frosted and white material
- Lens may be acrylic or polycarbonate material

Applications

- Office/Commercial
- Education
- Industrial/Task
- Inspection
- Parking Garage
- Natatorium
- Gymnasium

Installation

- Aircraft cable suspension
- Surface mounting
- For special requests, contact factory

Listing and Ratings

- UL 1598 for Dry and Damp Locations
- ARRA Compliant (Made in America)
- IP55 Rated
- Exceeds IK10 impact rating with polycarbonate lenses
- IK10 rating does not apply to acrylic lenses
- 3G Vibration Rated

Warranty

- 10-Year Warranty on fixture body
- 5-Year Warranty on electronics
- For special requests, contact factory



Series	Length	CRI / CCT	Voltage and Dimming	
HIGH	2	up to 7,744lm	U10 120-277V 0-10V dimming 10% min. U1 120-277V 0-10V dimming 1% min. H10 347-480V 0-10V dimming 10% min. H1 347-480V 0-10V dimming 1% min.	
	4	up to 15,488lm		
	8	up to 30,976lm		
				865 80CRI 6500K
				857 80CRI 5700K
				850 80CRI 5000K
				840 80CRI 4000K
				835 80CRI 3500K
				830 80CRI 3000K
				827 80CRI 2700K
				950 90CRI 5000K
				940 90CRI 4000K
				935 90CRI 3500K
		927 90CRI 2700K		
GREYED options not stocked and may need additional lead time				

Some CRI, CCT and other output variations may affect DLC listing; contact LUX for further information.

Options and Accessories

- Endcap**
HM Hanger mount
SM Surface mount
- Lensing**
CA Clear acrylic diffuse lens
CP Clear polycarbonate diffuse lens
WA White acrylic diffuse lens (standard)
WP White polycarbonate diffuse lens
- Narrow Optic**
(leave blank) Standard wide
N Narrow optic
- Narrow optic may be used with or without lens. If using without lens, please leave lensing option blank.

Lens	
Standard/Nominal = WA Lens	
Lumen Multipliers Compared to "Nominal"	
CA	107.3%
CP	101.2%
WA (Standard)	100.0%
WP	77.5%

Narrow Optic	
Standard/Nominal = no "N" optic (Wide)	
Lumen Multiplier Compared to "Nominal"	
N	93.6%

CCT	
Standard/Nominal = 3500K CCT	
Lumen Multipliers Compared to "Nominal"	
6500K	100.0%
5700K	100.0%
5000K	103.2%
4000K	103.9%
3500K (nominal)	100.0%
3000K	95.0%
2700K	90.0%

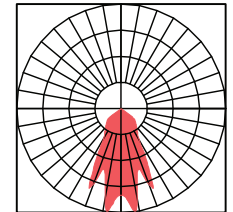
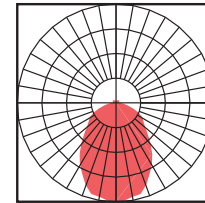
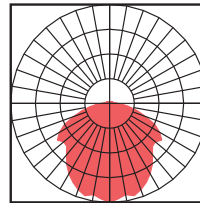
CRI	
Standard/Nominal = 80 CRI	
Lumen Multipliers Compared to "Nominal"	
80 CRI (nominal)	100.0%
90 CRI Options	
6500K (90 CRI)	84.9%
5700K (90 CRI)	85.2%
5000K (90 CRI)	85.2%
4000K (90 CRI)	85.2%
3500K (90 CRI)	83.5%
3000K (CRI 90)	81.0%
2700K (CRI 90)	76.6%

- Lumen/Wattage Output**
CFO Custom fixture output (specify custom lumen output)
- Emergency**
EMxx 10-watt and 15-watt integral batteries available, contact LUX for options
- Mounting**
2Pxx 2-Point aircraft suspension - hook ends (galvanized)
2PxxS 2-Point aircraft cable suspension - hook ends (stainless-steel)
SM Surface mount
- Cord**
(leave blank) No cord provided
3/10 3-wire, 10' cord | Standard white
4/10 4-wire, 10' cord | Standard white
5/10 5-wire, 10' cord | Standard white
- Standard 1/2" knockout provided in endcap for cord installation
 1st digit: Number of wires, including ground. Available from 3 through 6.
 2nd digit: Overall length, including strips. Available from 10' through 30'.
- Controls**
OC-KO Knockout mounted on/off occupancy sensor (120-277V input)
Wireless Multiple wireless control systems available. Contact Factory for options and details

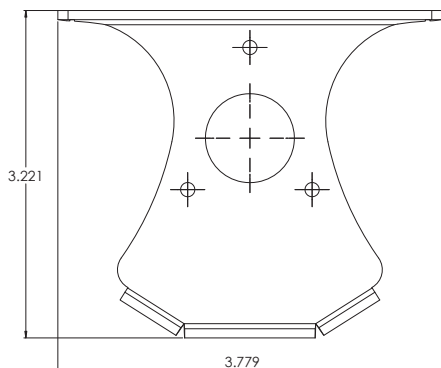
NRW + Lens (N + CA, CP, WA, WP)
 Achieved using our narrow optic underneath any of our standard lenses

Lensed (CA, CP, WA, or WP)
 Achieved using any of our standard lenses

NRW Optic Only (N)
 Achieved using our narrow optic only, no lens included

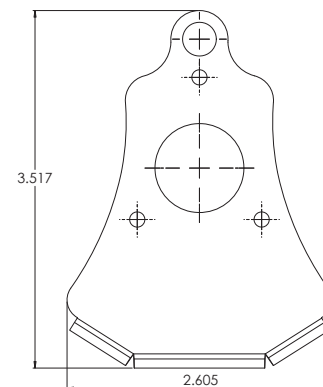


Endcap Option Details



Surface Mount

Surface mount endcap (surface-mounting hardware provided by others)



Hanger Mount

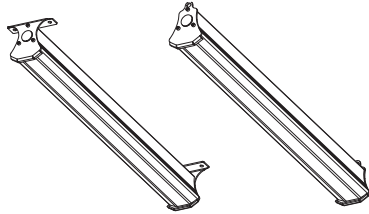
2Pxx, 2PxxS: Aircraft cable mounting with snap hooks (xx denotes cable length)

Technical Specifications

Part

HIGH-2-850 (for 5000K), HIGH-2-840 (for 4000K) or HIGH-2-835 (for 3500K)

- 23.14" L x 3.75" W x 3.34" H
- Weight: 3 LBS



HIGH-2-835				
	Lens Option	Delivered Lumens	Wattage	Efficacy
3500K	HIGH-2-835-U10-xx-CA	8,309	53.48	155
	HIGH-2-835-U10-xx-CP	7,837	53.48	147
	HIGH-2-835-U10-xx-WA	7,744	53.48	145
	HIGH-2-835-U10-xx-WP	6,006	53.48	112

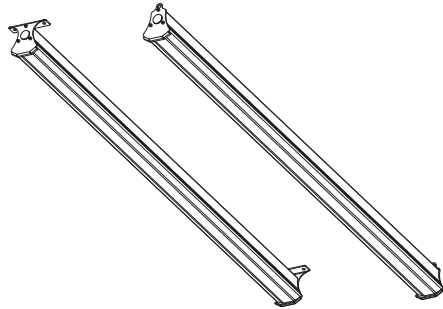
HIGH-2-840				
	Lens Option	Delivered Lumens	Wattage	Efficacy
4000K	HIGH-2-840-U10-xx-CA	8,631	53.48	161
	HIGH-2-840-U10-xx-CP	8,141	53.48	152
	HIGH-2-840-U10-xx-WA	8,044	53.48	150
	HIGH-2-840-U10-xx-WP	6,239	53.48	117

HIGH-2-850				
	Lens Option	Delivered Lumens	Wattage	Efficacy
5000K	HIGH-2-850-U10-xx-CA	8,572	53.48	160
	HIGH-2-850-U10-xx-CP	8,085	53.48	151
	HIGH-2-850-U10-xx-WA	7,989	53.48	149
	HIGH-2-850-U10-xx-WP	6,196	53.48	116

Part

HIGH-4-850 (for 5000K), HIGH-4-840 (for 4000K) or HIGH-4-835 (for 3500K)

- 46.20" L x 3.75" W x 3.34" H
- Weight: 6 LBS



HIGH-4-835				
	Lens Option	Delivered Lumens	Wattage	Efficacy
3500K	HIGH-4-835-U10-xx-CA	16,619	106.96	155
	HIGH-4-835-U10-xx-CP	15,674	106.96	147
	HIGH-4-835-U10-xx-WA	15,488	106.96	145
	HIGH-4-835-U10-xx-WP	12,012	106.96	112

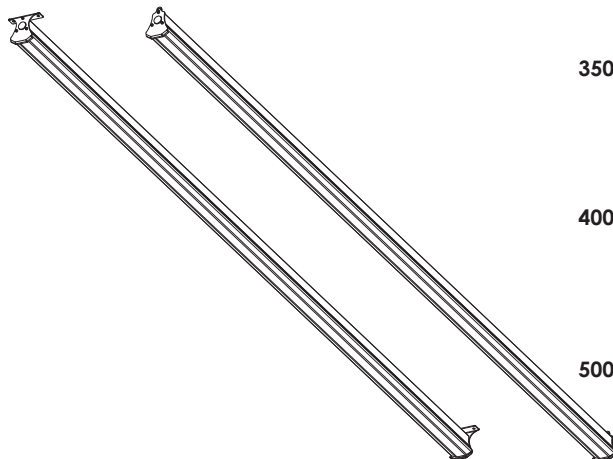
HIGH-4-840				
	Lens Option	Delivered Lumens	Wattage	Efficacy
4000K	HIGH-4-840-U10-xx-CA	17,263	106.96	161
	HIGH-4-840-U10-xx-CP	16,281	106.96	152
	HIGH-4-840-U10-xx-WA	16,095	106.96	150
	HIGH-4-840-U10-xx-WP	12,477	106.96	117

HIGH-4-850				
	Lens Option	Delivered Lumens	Wattage	Efficacy
5000K	HIGH-4-850-U10-xx-CA	17,145	106.96	160
	HIGH-4-850-U10-xx-CP	16,170	106.96	151
	HIGH-4-850-U10-xx-WA	15,978	106.96	149
	HIGH-4-850-U10-xx-WP	12,392	106.96	116

Part

HIGH-8-850 (for 5000K), HIGH-8-840 (for 4000K) or HIGH-8-835 (for 3500K)

- 91.20" L x 3.75" W x 3.34" H
- Weight: 11 LBS



HIGH-8-835				
	Lens Option	Delivered Lumens	Wattage	Efficacy
3500K	HIGH-8-835-U10-xx-CA	33,238	213.91	155
	HIGH-8-835-U10-xx-CP	31,348	213.91	147
	HIGH-8-835-U10-xx-WA	30,976	213.91	145
	HIGH-8-835-U10-xx-WP	24,025	213.91	112

HIGH-8-840				
	Lens Option	Delivered Lumens	Wattage	Efficacy
4000K	HIGH-8-840-U10-xx-CA	34,525	213.91	161
	HIGH-8-840-U10-xx-CP	32,562	213.91	152
	HIGH-8-840-U10-xx-WA	32,190	213.91	150
	HIGH-8-840-U10-xx-WP	24,955	213.91	117

HIGH-8-850				
	Lens Option	Delivered Lumens	Wattage	Efficacy
5000K	HIGH-8-850-U10-xx-CA	34,289	213.91	160
	HIGH-8-850-U10-xx-CP	32,340	213.91	151
	HIGH-8-850-U10-xx-WA	31,956	213.91	149
	HIGH-8-850-U10-xx-WP	24,785	213.91	116