

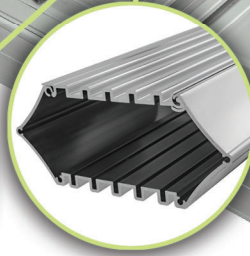
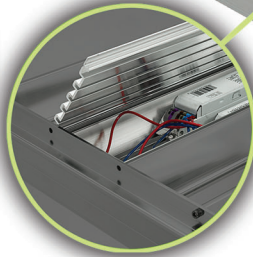


Series - High **Lumen** Family



QuickShip

This "Spec Sheet" gives finer detail on the IK10+ fixtures offered in our Quickship program.



Performance

- Lumen output: **18,000, 24,000, and 36,000 lumens**
- Efficacy: **Up to 164 Lumens per Watt**
- L₇₀ (per TM-21): **60,000 Hours**
- L₇₀ (calculated): **116,000 Hours**
- Ambient Temp. Rating: **-40°F to 150°F (-40°C to 65.5°C)**
Ambient temperature rating varies for auxiliary components
- Surge Protection: **6kV**
- Driver: **120-277V input, 0-10V Dimming (down to 10%)**

Construction

- Extruded 6463 aluminum construction
- Stainless-steel hardware
- Bright dip anodized fixture body
- Isolated driver channels
- Thermally independent heat sink LED bars

Optics

- Wide 120° beam angle LEDs
- Diffusing lens available in frosted/clear material
- Lens may be acrylic or polycarbonate material
- Lens offers up to 6% uplight

Warranty

- 10-Year Warranty on fixture body
- 5-Year Warranty on electronics
- For special requests, contact factory

Applications

- Gymsnasiums/Sports facilities
- Warehouses
- Manufacturing/Industrial
- Arenas/Fieldhouses
- Natatoriums
- Hangars
- NSF - Food-safe applications

Installation

- Aircraft cable suspension
- Surface mounting
- For special requests, contact factory

Listing and Ratings

- ARRA Compliant (Made in America)
- DLC Premium Listed
- 3G Vibration Rated
- Exceeds IK10 impact rating with polycarbonate lenses
- IK10 rating does not apply to acrylic lenses

To view IK10+ Quick Ship online, visit:
www.luxdynamics.com



Example Catalog Number:

QS

18

850

QS Quick Ship	Delivered lumens with 5000K color / CA lens	Other color rendering indexes and color temperatures are available. Consult factory.
Series	Lumens	CRI / CCT
QS Quick Ship	18 17,811lm	850 80CRI 5000K
	24 23,979lm	840 80CRI 4000K
	36 36,495lm	

Lensing

- NL No lensing
- (blank) Clear acrylic diffuse lens (standard)
- CP Clear polycarbonate diffuse lens

Lens Note:

QuickShip fixtures are built and shipped with CA (clear acrylic) lens if not otherwise specified

(No Lens)

standard 120° distribution achieved when using bare LEDs with no secondary optics

Lensed (CA, CP)

wide/diffused optic achieved using any of our standard lenses

Cord (not installed)

- (leave blank) No cord provided
- 3/10 3-wire, 10' cord | Standard white
- 4/10 4-wire, 10' cord | Standard white
- 5/10 5-wire, 10' cord | Standard white

Cord not installed

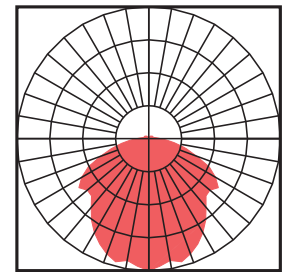
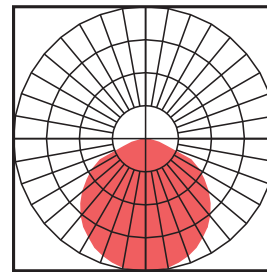
Standard 1/2" knockout provided in endcap for cord installation

1st digit: Number of wires, including ground. Available from 3 through 6.

2nd digit: Overall length, including strips. Available from 10' through 30'.

Dimming Note:

Dimming curves and other operating characteristics may vary between models



Mounting

- (leave blank) No mounting hardware provided
- 10Y 10' Y-Hanger with hook ends for mounting
- SM No mounting Hardware Provided, may be surface mounted

Controls (not installed)

- OC-QS Knockout mounted on/off occupancy sensor (120-277V input)
 - DOKO Knockout mounted daylight harvesting sensor (120-277V input)
- (Sensor not installed, knockout provided for easy installation)

Mounting Option Details

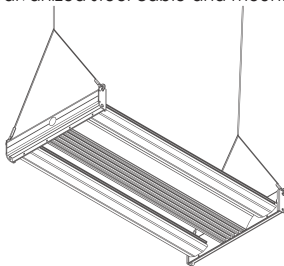
Sensor Details

2-Point Y-Cable Mount

Part Numbers:
10Y

Description:

- 10' in length
- Galvanized steel cable and mounting hook

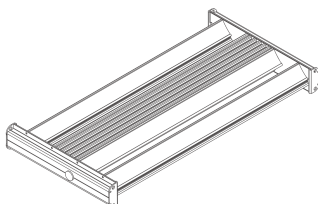


Surface mounting (no additional hardware or mounting holes supplied)

Part Number:
SM

Description:

- SM available for all options, no additional hardware supplied
- Fixture may be anchored flush to any suitable substrate through electronics channel

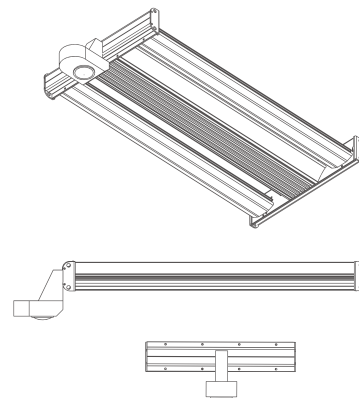


Occupancy Sensor

Part Numbers:
OC-QS, DOKO

Description:

- PIR occupancy/daylight sensor (line voltage 120-277V input and 0-10V dimming)
- Sensor shipped separate from fixture, not installed
- Ambient temperature rating: -10°C to 60°C
- Mounting height: 15' to 45'
- Coverage area: 15' to 20' radial coverage (30'-40' diameter) typical



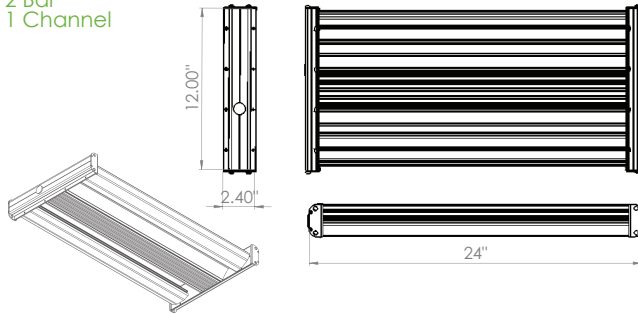
Technical Specifications

Part #

QS-18-840 (for 4000K) or QS-18-850 (for 5000K)

- 24"L x 12"W x 2.4"H
- Weight: 7 LBS

**2 Bar
1 Channel**



5000K

QS-18-850			
Lens Option	Delivered Lumens	Wattage	Efficacy
NL	19,040	116	164
CA	17,811	116	154
CP	17,170	116	148

4000K

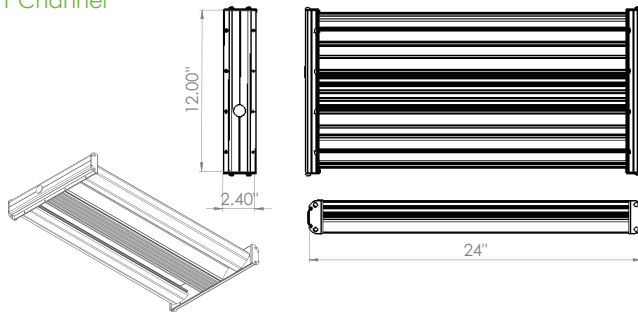
QS-18-840			
Lens Option	Delivered Lumens	Wattage	Efficacy
NL	19,040	116	164
CA	17,811	116	154
CP	17,170	116	148

Part #

QS-24-840 (for 4000K) or QS-24-850 (for 5000K)

- 24"L x 12"W x 2.4"H
- Weight: 7 LBS

**2 Bar
1 Channel**



5000K

QS-24-850			
Lens Option	Delivered Lumens	Wattage	Efficacy
NL	25,637	166	154
CA	23,979	166	144
CP	23,116	166	139

4000K

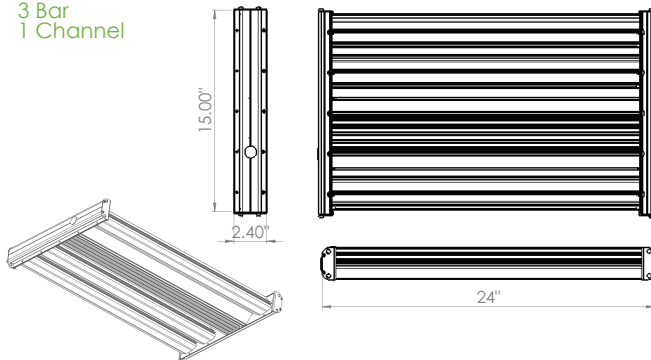
QS-24-840			
Lens Option	Delivered Lumens	Wattage	Efficacy
NL	25,637	166	154
CA	23,979	166	144
CP	23,116	166	139

Part #

QS-36-840 (for 4000K) or QS-36-850 (for 5000K)

- 24"L x 15"W x 2.4"H
- Weight: 9 LBS

**3 Bar
1 Channel**



5000K

QS-36-850			
Lens Option	Delivered Lumens	Wattage	Efficacy
NL	39,017	249	156
CA	36,495	249	146
CP	35,176	249	141

4000K

QS-36-840			
Lens Option	Delivered Lumens	Wattage	Efficacy
NL	39,017	249	156
CA	36,495	249	146
CP	35,176	249	141