

LUX | BASEline

Extruded aluminum architectural and task lighting LED luminaire for use in applications including, but not limited to airports, industrial and task lighting, and educational and office spaces.



Performance

- Lumen output: **Up to 3,200 lumens per foot**
- Efficacy: **Up to 163 Lumens per Watt**
- L₇₀ (per TM-21): **60,000 Hours**
- L₇₀ (calculated): **102,000 Hours**
- Ambient Temp. Rating: **-40°F to 113°F (-40°C to 45°C)**
Ambient temperature ratings vary with option/adders
- Surge Protection: **6kV**
- Driver ratings: **120-277V input, 0-10V Dimming (down to 1%)**
347-480V input, 0-10V Dimming (down to 1%)

Construction

- Fixture body made from extruded 6463 aluminum
- Stainless-steel hardware
- Bright dip anodized fixture body

Optics

- Wide 120° beam angle LEDs (not including lens)
- Optional narrow optic for aisle and racking applications
- Acrylic diffusing lens available in frosted and clear material

Applications

- Office/Commercial
- Education
- Industrial/Task
- Inspection

Installation

- Aircraft cable suspension
- Surface mounting
- For special requests, contact factory

Listing and Ratings

- UL 1598 for Dry and Damp Locations
- ARRA Compliant (Made in America)
- DLC Listed

Warranty

- 10-Year Warranty on fixture body
- 5-Year Warranty on electronics
- For special requests, contact factory



Series	Length	CRI / CCT	Voltage and Dimming	
BASE	2	5,556lm	U10 120-277V 0-10V dimming 10% min. U1 120-277V 0-10V dimming 1% min. H10 347-480V 0-10V dimming 10% min. H1 347-480V 0-10V dimming 1% min. DALI 120-277V DALI controls 1% min.	
	4	10,967lm		
	8	21,934lm		
				865 80CRI 6500K
				857 80CRI 5700K
				850 80CRI 5000K
				840 80CRI 4000K
				835 80CRI 3500K
				830 80CRI 3000K
				827 80CRI 2700K
				950 90CRI 5000K
				940 90CRI 4000K
				935 90CRI 3500K
		927 90CRI 2700K		
<small>GREYED options not stocked and may need additional lead time</small>				

Some CRI, CCT and other output variations may affect DLC listing; contact LUX for further information.

Options and Accessories

Endcap

- HM** Hanger mount
- SM** Surface mount

Lensing

- CA** Clear acrylic diffuse lens
- WA** White acrylic diffuse lens (standard)

Narrow Optic

- (leave blank)** Standard wide
- N** Narrow optic

Narrow optic may be used with or without lens. If using without lens, please leave lensing option blank.

Lumen/Wattage Output

- CFO** Custom fixture output (specify custom lumen output)

Emergency

- EMxx** 10-watt and 15-watt integral batteries available, contact LUX for options

Mounting

- 2Pxx** 2-Point aircraft suspension - hook ends (galvanized)
- 2PxxS** 2-Point aircraft cable suspension - hook ends (stainless-steel)
- SM** Surface mount, no additional hardware

Cord

- (leave blank)** No cord provided
- 3/10** 3-wire, 10' cord | Standard white
- 4/10** 4-wire, 10' cord | Standard white
- 5/10** 5-wire, 10' cord | Standard white

Standard 1/2" knockout provided in endcap for cord installation
 1st digit: Number of wires, including ground. Available from 3 through 6.
 2nd digit: Overall length, including strips. Available from 10' through 30'.

Controls

- OC-KO** Knockout mounted on/off occupancy sensor (120-277V input)
- Wireless** Multiple wireless control systems available. Contact Factory for options and details

Lens	
Standard/Nominal = WA Lens	
Lumen Multipliers Compared to "Nominal"	
CA	111.4%
WA (Standard)	100.0%

CCT	
Standard/Nominal = 3500K CCT	
Lumen Multipliers Compared to "Nominal"	
6500K	100.0%
5700K	100.0%
5000K	102.0%
4000K	103.3%
3500K (nominal)	100.0%
3000K	95.0%
2700K	90.0%

CRI	
Standard/Nominal = 80 CRI	
Lumen Multipliers Compared to "Nominal"	
80 CRI (nominal)	100.0%
90 CRI Options	
6500K (90 CRI)	84.9%
5700K (90 CRI)	85.2%
5000K (90 CRI)	85.2%
4000K (90 CRI)	85.2%
3500K (90 CRI)	83.5%
3000K (CRI 90)	81.0%
2700K (CRI 90)	76.6%

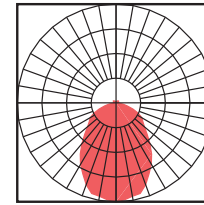
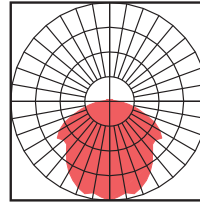
Narrow Optic	
Standard/Nominal = no "N" optic (Wide)	
Lumen Multiplier Compared to "Nominal"	
N	99.2%

NRW + Lens (N + CA or WA)

Achieved using our narrow optic underneath any of our standard lenses

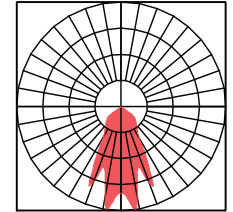
Lensed (CA or WA)

Achieved using any of our standard lenses

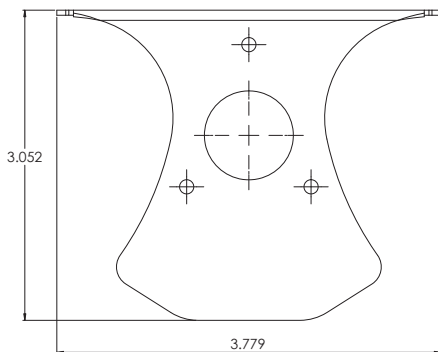


NRW Optic Only (N)

Achieved using our narrow optic only, no lens included

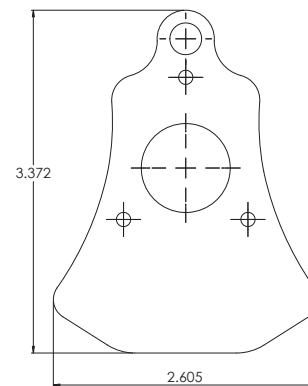


Endcap Option Details



Surface Mount

Surface mount endcap (surface-mounting hardware provided by others)



Hanger Mount

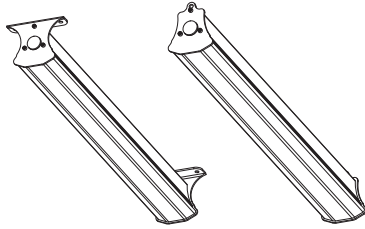
2Pxx, 2PxxS: Aircraft cable mounting with snap hooks (xx denotes cable length)

Technical Specifications

Part

BASE-2-850 (for 5000K), BASE-2-840 (for 4000K) or BASE-2-835 (for 3500K)

- 23.14"L x 3.75"W x 3.34"H
- Weight: 3 LBS



BASE-2-835			
Lens Option	Delivered Lumens	Wattage	Efficacy
BASE-2-835-U10-xx-CA	6,190	39.91	155
BASE-2-835-U10-xx-WA	5,556	39.91	139

3500K

BASE-2-840			
Lens Option	Delivered Lumens	Wattage	Efficacy
BASE-2-840-U10-xx-CA	6,397	39.91	160
BASE-2-840-U10-xx-WA	5,742	39.91	144

4000K

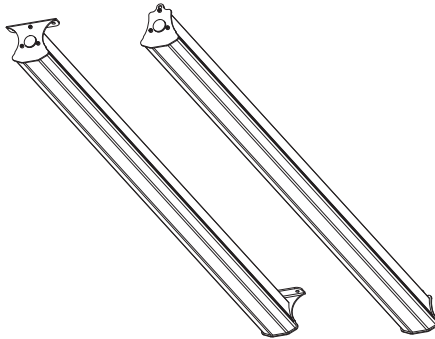
BASE-2-850			
Lens Option	Delivered Lumens	Wattage	Efficacy
BASE-2-850-U10-xx-CA	6,312	39.91	158
BASE-2-850-U10-xx-WA	5,665	39.91	142

5000K

Part

BASE-4-850 (FOR 5000K), BASE-4-840 (for 4000K) or BASE-4-835 (for 3500K)

- 46.20"L x 3.75"W x 3.34"H
- Weight: 6 LBS



BASE-4-835			
Lens Option	Delivered Lumens	Wattage	Efficacy
BASE-4-835-U10-xx-CA	12,218	77.62	157
BASE-4-835-U10-xx-WA	10,967	77.62	141

3500K

BASE-4-840			
Lens Option	Delivered Lumens	Wattage	Efficacy
BASE-4-840-U10-xx-CA	12,627	77.62	163
BASE-4-840-U10-xx-WA	11,334	77.62	146

4000K

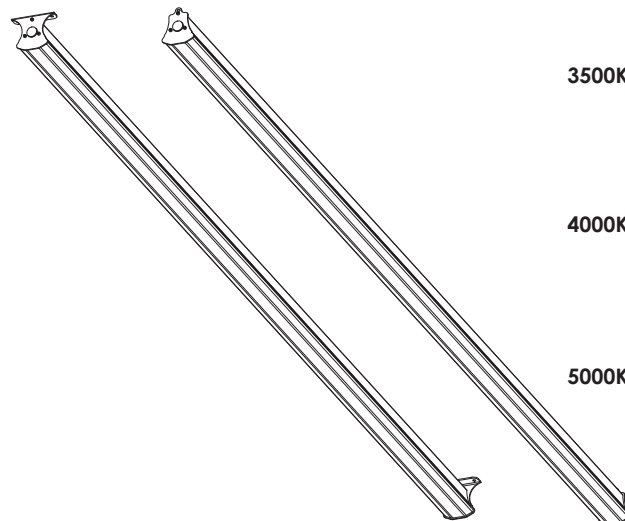
BASE-4-850			
Lens Option	Delivered Lumens	Wattage	Efficacy
BASE-4-850-U10-xx-CA	12,459	77.62	161
BASE-4-850-U10-xx-WA	11,183	77.62	144

5000K

Part

BASE-8-850 (for 5000K), BASE-8-840 (for 4000K) or BASE-8-835 (for 3500K)

- 91.20"L x 3.75"W x 3.34"H
- Weight: 11 LBS



BASE-8-835			
Lens Option	Delivered Lumens	Wattage	Efficacy
BASE-8-835-U10-xx-CA	24,436	155.24	157
BASE-8-835-U10-xx-WA	21,934	155.24	141

3500K

BASE-8-840			
Lens Option	Delivered Lumens	Wattage	Efficacy
BASE-8-840-U10-xx-CA	25,254	155.24	163
BASE-8-840-U10-xx-WA	22,668	155.24	146

4000K

BASE-8-850			
Lens Option	Delivered Lumens	Wattage	Efficacy
BASE-8-850-U10-xx-CA	24,917	155.24	161
BASE-8-850-U10-xx-WA	22,366	155.24	144

5000K