

Extruded aluminum architectural and task lighting LED luminaire for use in applications including, but not limited to airports, industrial and task lighting, and educational and office spaces.



## Performance

- Lumen output: **Up to 4,600 lumens per foot**
- Efficacy: **Up to 156 Lumens per Watt**
- L<sub>70</sub> (per TM-21): **60,000 Hours**
- L<sub>70</sub> (calculated): **102,000 Hours**
- Ambient Temp. Rating: **-40°F to 113°F (-40°C to 45°C)**  
Ambient temperature ratings vary with option/adders
- Surge Protection: **6kV**
- Driver ratings: **120-277V input, 0-10V Dimming (down to 1%)**  
**347-480V input, 0-10V Dimming (down to 1%)**

## Construction

- Fixture body made from extruded 6463 aluminum
- Stainless-steel hardware
- Bright dip anodized fixture body

## Optics

- Wide 120° beam angle LEDs (not including lens)
- Optional narrow optic for aisle and racking applications
- Acrylic diffusing lens available in frosted and white material

## Applications

- Office/Commercial
- Education
- Industrial/Task
- Inspection

## Installation

- Aircraft cable suspension
- Surface mounting
- For special requests, contact factory

## Listing and Ratings

- UL 1598 for Dry and Damp Locations
- ARRA Compliant (Made in America)
- DLC Listed

## Warranty

- 10-Year Warranty on fixture body
- 5-Year Warranty on electronics
- For special requests, contact factory



Series	Length	CRI / CCT	Voltage and Dimming	
BRITE	2	8,030lm	<b>U10</b> 120-277V   0-10V dimming   10% min. <b>U1</b> 120-277V   0-10V dimming   1% min. <b>H10</b> 347-480V   0-10V dimming   10% min. <b>H1</b> 347-480V   0-10V dimming   1% min. <b>DALI</b> 120-277V   DALI controls   1% min.	
	4	15,628lm		
	8	31,256lm		
				865 80CRI   6500K
				857 80CRI   5700K
				850 80CRI   5000K
				840 80CRI   4000K
				835 80CRI   3500K
				830 80CRI   3000K
				827 80CRI   2700K
				950 90CRI   5000K
				940 90CRI   4000K
				935 90CRI   3500K
		927 90CRI   2700K		
GREYED options not stocked and may need additional lead time				

Some CRI, CCT and other output variations may affect DLC listing; contact LUX for further information.

## Options and Accessories

- Endcap**  
**HM** Hanger mount  
**SM** Surface mount
- Lensing**  
**CA** Clear acrylic diffuse lens  
**WA** White acrylic diffuse lens (standard)
- Narrow Optic**  
**(leave blank)** Standard wide  
**N** Narrow optic
- Narrow optic may be used with or without lens. If using without lens, please leave lensing option blank.

Lens	
Standard/Nominal = WA Lens	
Lumen Multipliers Compared to "Nominal"	
CA	111.4%
WA (Standard)	100.0%

CCT	
Standard/Nominal = 3500K CCT	
Lumen Multipliers Compared to "Nominal"	
6500K	100.0%
5700K	100.0%
5000K	102.0%
4000K	103.3%
3500K (nominal)	100.0%
3000K	95.0%
2700K	90.0%

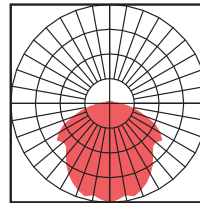
CRI	
Standard/Nominal = 80 CRI	
Lumen Multipliers Compared to "Nominal"	
80 CRI (nominal)	100.0%
90 CRI Options	
6500K (90 CRI)	84.9%
5700K (90 CRI)	85.2%
5000K (90 CRI)	85.2%
4000K (90 CRI)	85.2%
3500K (90 CRI)	83.5%
3000K (CRI 90)	81.0%
2700K (CRI 90)	76.6%

- Lumen/Wattage Output**  
**CFO** Custom fixture output (specify custom lumen output)
- Emergency**  
**EMxx** 10-watt and 15-watt integral batteries available, contact LUX for options
- Mounting**  
**2Pxx** 2-Point aircraft suspension - hook ends (galvanized)  
**2PxxS** 2-Point aircraft cable suspension - hook ends (stainless-steel)  
**SM** Surface mount, no additional hardware

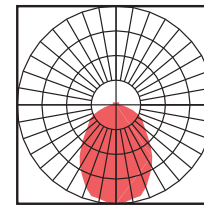
- Cord**  
**(leave blank)** No cord provided  
**3/10** 3-wire, 10' cord | Standard white  
**4/10** 4-wire, 10' cord | Standard white  
**5/10** 5-wire, 10' cord | Standard white
- Standard 1/2" knockout provided in endcap for cord installation  
 1<sup>st</sup> digit: Number of wires, including ground. Available from 3 through 6.  
 2<sup>nd</sup> digit: Overall length, including strips. Available from 10' through 30'.

- Controls**  
**OC-KO** Knockout mounted on/off occupancy sensor (120-277V input)  
**Wireless** Multiple wireless control systems available. Contact Factory for options and details  
**Controls**

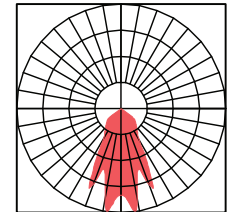
**Lensed (CA or WA)**  
 Achieved using any of our standard lenses



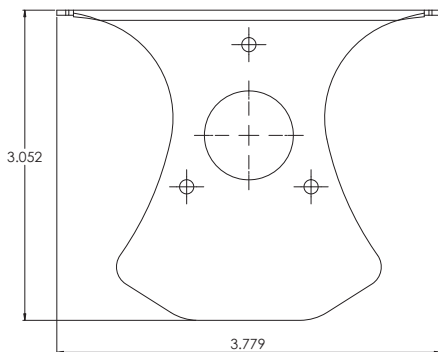
**NRW + Lens (N + CA or WA)**  
 Achieved using our narrow optic underneath any of our standard lenses



**NRW Optic Only (N)**  
 Achieved using our narrow optic only, no lens included

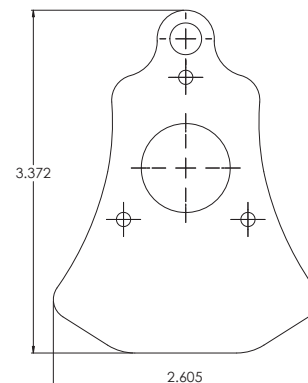


## Endcap Option Details



Surface Mount

Surface mount endcap (surface-mounting hardware provided by others)



Hanger Mount

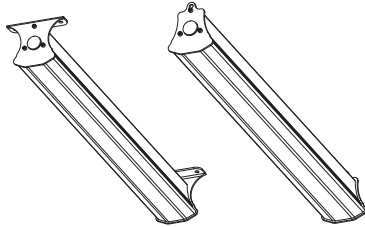
2Pxx, 2PxxS: Aircraft cable mounting with snap hooks (xx denotes cable length)

## Technical Specifications

### Part #

**BRITE-2-850 (for 5000K), BRITE-2-840 (for 4000K) or BRITE-2-835 (for 3500K)**

- 23.14"L x 3.75"W x 3.34"H
- Weight: 3 LBS



BRITE-2-835			
Lens Option	Delivered Lumens	Wattage	Efficacy
BRITE-2-835-U10-xx-CA	8,946	59.16	151
BRITE-2-835-U10-xx-WA	8,030	59.16	136

3500K

BRITE-2-840			
Lens Option	Delivered Lumens	Wattage	Efficacy
BRITE-2-840-U10-xx-CA	9,245	59.16	156
BRITE-2-840-U10-xx-WA	8,299	59.16	140

4000K

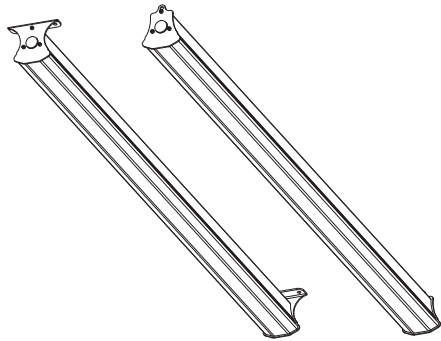
BRITE-2-850			
Lens Option	Delivered Lumens	Wattage	Efficacy
BRITE-2-850-U10-xx-CA	9,122	59.16	154
BRITE-2-850-U10-xx-WA	8,188	59.16	138

5000K

### Part #

**BRITE-4-850 (for 5000K), BRITE-4-840 (for 4000K) or BRITE-4-835 (for 3500K)**

- 46.20"L x 3.75"W x 3.34"H
- Weight: 6 LBS



BRITE-4-835			
Lens Option	Delivered Lumens	Wattage	Efficacy
BRITE-4-835-U10-xx-CA	17,411	118.36	147
BRITE-4-835-U10-xx-WA	15,628	118.36	132

3500K

BRITE-4-840			
Lens Option	Delivered Lumens	Wattage	Efficacy
BRITE-4-840-U10-xx-CA	17,993	118.36	152
BRITE-4-840-U10-xx-WA	16,151	118.36	136

4000K

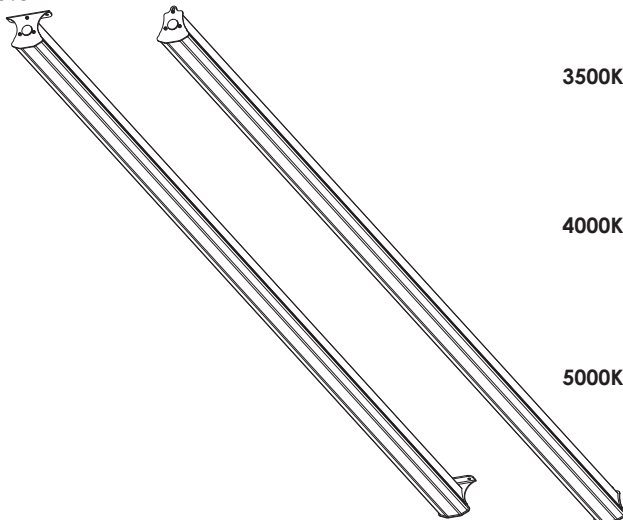
BRITE-4-850			
Lens Option	Delivered Lumens	Wattage	Efficacy
BRITE-4-850-U10-xx-CA	17,754	118.36	150
BRITE-4-850-U10-xx-WA	15,936	118.36	135

5000K

### Part #

**BRITE-8-850 (for 5000K), BRITE-8-840 (for 4000K) or BRITE-8-835 (for 3500K)**

- 91.20"L x 3.75"W x 3.34"H
- Weight: 11 LBS



BRITE-8-835			
Lens Option	Delivered Lumens	Wattage	Efficacy
BRITE-8-835-U10-xx-CA	34,821	236.72	147
BRITE-8-835-U10-xx-WA	31,256	236.72	132

3500K

BRITE-8-840			
Lens Option	Delivered Lumens	Wattage	Efficacy
BRITE-8-840-U10-xx-CA	35,987	236.72	152
BRITE-8-840-U10-xx-WA	32,302	236.72	136

4000K

BRITE-8-850			
Lens Option	Delivered Lumens	Wattage	Efficacy
BRITE-8-850-U10-xx-CA	35,507	236.72	150
BRITE-8-850-U10-xx-WA	31,872	236.72	135

5000K