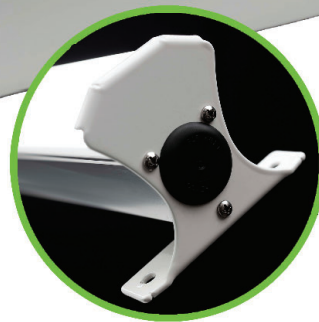


LUX | HIGHline

Extruded aluminum architectural and task lighting LED luminaire for use in applications including, but not limited to subways, parking garages, airports, and office spaces.



Performance

- Lumen output: **Up to 4,300 lumens per foot**
- Efficacy: **Up to 161 Lumens per Watt**
- L₇₀ (per TM-21): **72,000 Hours**
- L₇₀ (calculated): **147,000 Hours**
- Ambient Temp. Rating: **-40°F to 113°F (-40°C to 45°C)**
Ambient temperature rating varies for auxiliary components
- Surge Protection: **6kV**
- Driver: **120-277V input, 0-10V Dimming (down to 1%)**
347-480V input, 0-10V Dimming (down to 1%)

Construction

- Extruded 6463 aluminum construction
- Stainless-steel hardware
- Bright dip anodized fixture body

Optics

- Wide 120° beam angle LEDs
- Optional narrow optic for aisle and racking applications
- Diffusing lens available in frosted and white material
- Lens may be acrylic or polycarbonate material

Applications

- Office/Commercial
- Education
- Industrial/Task
- Inspection
- Parking Garage
- Natatorium
- Gymnasium

Installation

- Aircraft cable suspension
- Surface mounting
- For special requests, contact factory

Listing and Ratings

- UL 1598 for Dry and Damp Locations
- ARRA Compliant (Made in America)
- IP55 Rated
- Exceeds IK10 impact rating with polycarbonate lenses
- IK10 rating does not apply to acrylic lenses
- 3G Vibration Rated

Warranty

- 10-Year Warranty on fixture body
- 5-Year Warranty on electronics
- For special requests, contact factory



| Series | Length | CRI / CCT | Voltage and Dimming | |
|--|--------|-------------------|--|-------------------|
| HIGH | 2 | 7,744lm | U10 120-277V 0-10V dimming 10% min. U1 120-277V 0-10V dimming 1% min. H10 347-480V 0-10V dimming 10% min. H1 347-480V 0-10V dimming 1% min. | |
| | 4 | 15,488lm | | |
| | 8 | 30,976lm | | |
| | | | | 865 80CRI 6500K |
| | | | | 857 80CRI 5700K |
| | | | | 850 80CRI 5000K |
| | | | | 840 80CRI 4000K |
| | | | | 835 80CRI 3500K |
| | | | | 830 80CRI 3000K |
| | | | | 827 80CRI 2700K |
| | | | | 950 90CRI 5000K |
| | | | | 940 90CRI 4000K |
| | | | | 935 90CRI 3500K |
| | | 927 90CRI 2700K | | |
| GREYED options not stocked and may need additional lead time | | | | |

Some CRI, CCT and other output variations may affect DLC listing; contact LUX for further information.

Options and Accessories

Endcap

- HM Hanger mount
- SM Surface mount

Lensing

- CA Clear acrylic diffuse lens
- CP Clear polycarbonate diffuse lens
- WA White acrylic diffuse lens (standard)
- WP White polycarbonate diffuse lens

Narrow Optic

- (leave blank) Standard wide
- N Narrow optic

Narrow optic may be used with or without lens. If using without lens, please leave lensing option blank.

Lumen/Wattage Output

- CFO Custom fixture output (specify custom lumen output)

Emergency

- EMxx 10-watt and 15-watt integral batteries available, contact LUX for options

Mounting

- 2Pxx 2-Point aircraft suspension - hook ends (galvanized)
- 2PxxS 2-Point aircraft cable suspension - hook ends (stainless-steel)
- SM Surface mount

Cord

- (leave blank) No cord provided
- 3/10 3-wire, 10' cord Standard white
- 4/10 4-wire, 10' cord Standard white
- 5/10 5-wire, 10' cord Standard white

Standard 1/2" knockout provided in endcap for cord installation
 1st digit: Number of wires, including ground. Available from 3 through 6.
 2nd digit: Overall length, including strips. Available from 10' through 30'.

Controls

- OC-KO Knockout mounted on/off occupancy sensor (120-277V input)
- Wireless Multiple wireless control systems available. Contact Factory for options and details
- Controls

| Lens | |
|---|--------|
| Standard/Nominal = WA Lens | |
| Lumen Multipliers Compared to "Nominal" | |
| CA | 107.3% |
| CP | 101.2% |
| WA (Standard) | 100.0% |
| WP | 77.5% |

| Narrow Optic | |
|--|-------|
| Standard/Nominal = no "N" optic (Wide) | |
| Lumen Multiplier Compared to "Nominal" | |
| N | 93.6% |

| CCT | |
|---|--------|
| Standard/Nominal = 3500K CCT | |
| Lumen Multipliers Compared to "Nominal" | |
| 6500K | 100.0% |
| 5700K | 100.0% |
| 5000K | 103.2% |
| 4000K | 103.9% |
| 3500K (nominal) | 100.0% |
| 3000K | 95.0% |
| 2700K | 90.0% |

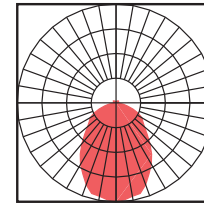
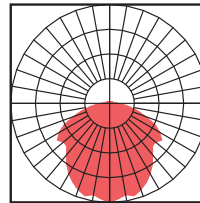
| CRI | |
|---|--------|
| Standard/Nominal = 80 CRI | |
| Lumen Multipliers Compared to "Nominal" | |
| 80 CRI (nominal) | 100.0% |
| 90 CRI Options | |
| 6500K (90 CRI) | 84.9% |
| 5700K (90 CRI) | 85.2% |
| 5000K (90 CRI) | 85.2% |
| 4000K (90 CRI) | 85.2% |
| 3500K (90 CRI) | 83.5% |
| 3000K (CRI 90) | 81.0% |
| 2700K (CRI 90) | 76.6% |

NRW + Lens (N + CA, CP, WA, WP)

Achieved using our narrow optic underneath any of our standard lenses

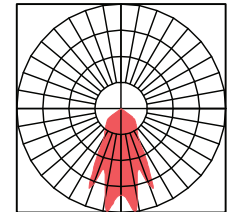
Lensed (CA, CP, WA, or WP)

Achieved using any of our standard lenses

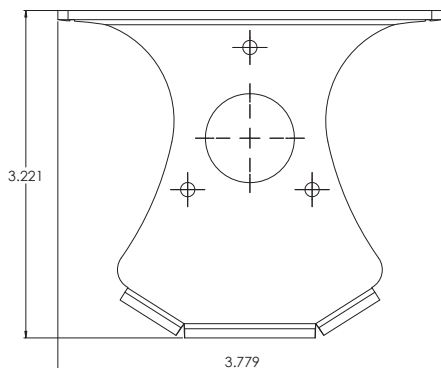


NRW Optic Only (N)

Achieved using our narrow optic only, no lens included

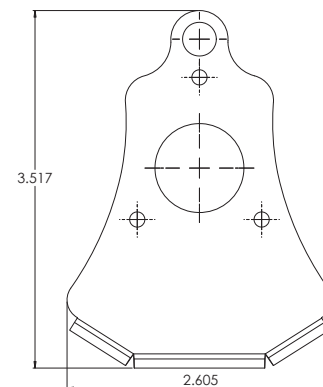


Endcap Option Details



Surface Mount

Surface mount endcap (surface-mounting hardware provided by others)



Hanger Mount

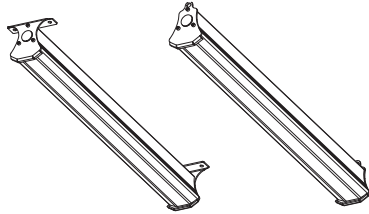
2Pxx, 2PxxS: Aircraft cable mounting with snap hooks (xx denotes cable length)

Technical Specifications

Part

HIGH-2-850 (for 5000K), HIGH-2-840 (for 4000K) or HIGH-2-835 (for 3500K)

- 23.14" L x 3.75" W x 3.34" H
- Weight: 3 LBS



| HIGH-2-835 | | | | |
|------------|----------------------|------------------|---------|----------|
| | Lens Option | Delivered Lumens | Wattage | Efficacy |
| 3500K | HIGH-2-835-U10-xx-CA | 8,309 | 53.48 | 155 |
| | HIGH-2-835-U10-xx-CP | 7,837 | 53.48 | 147 |
| | HIGH-2-835-U10-xx-WA | 7,744 | 53.48 | 145 |
| | HIGH-2-835-U10-xx-WP | 6,006 | 53.48 | 112 |

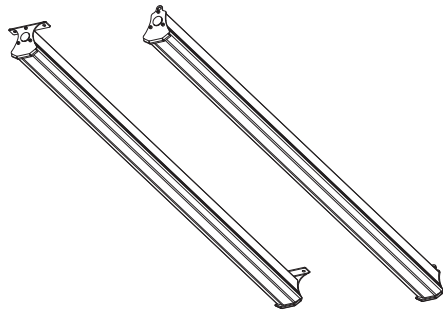
| HIGH-2-840 | | | | |
|------------|----------------------|------------------|---------|----------|
| | Lens Option | Delivered Lumens | Wattage | Efficacy |
| 4000K | HIGH-2-840-U10-xx-CA | 8,631 | 53.48 | 161 |
| | HIGH-2-840-U10-xx-CP | 8,141 | 53.48 | 152 |
| | HIGH-2-840-U10-xx-WA | 8,044 | 53.48 | 150 |
| | HIGH-2-840-U10-xx-WP | 6,239 | 53.48 | 117 |

| HIGH-2-850 | | | | |
|------------|----------------------|------------------|---------|----------|
| | Lens Option | Delivered Lumens | Wattage | Efficacy |
| 5000K | HIGH-2-850-U10-xx-CA | 8,572 | 53.48 | 160 |
| | HIGH-2-850-U10-xx-CP | 8,085 | 53.48 | 151 |
| | HIGH-2-850-U10-xx-WA | 7,989 | 53.48 | 149 |
| | HIGH-2-850-U10-xx-WP | 6,196 | 53.48 | 116 |

Part

HIGH-4-850 (for 5000K), HIGH-4-840 (for 4000K) or HIGH-4-835 (for 3500K)

- 46.20" L x 3.75" W x 3.34" H
- Weight: 6 LBS



| HIGH-4-835 | | | | |
|------------|----------------------|------------------|---------|----------|
| | Lens Option | Delivered Lumens | Wattage | Efficacy |
| 3500K | HIGH-4-835-U10-xx-CA | 16,619 | 106.96 | 155 |
| | HIGH-4-835-U10-xx-CP | 15,674 | 106.96 | 147 |
| | HIGH-4-835-U10-xx-WA | 15,488 | 106.96 | 145 |
| | HIGH-4-835-U10-xx-WP | 12,012 | 106.96 | 112 |

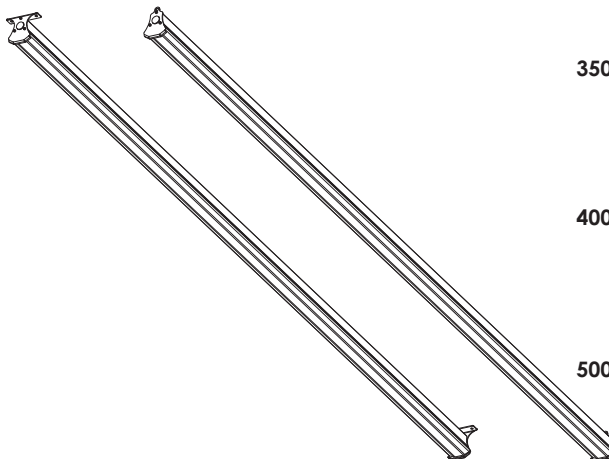
| HIGH-4-840 | | | | |
|------------|----------------------|------------------|---------|----------|
| | Lens Option | Delivered Lumens | Wattage | Efficacy |
| 4000K | HIGH-4-840-U10-xx-CA | 17,263 | 106.96 | 161 |
| | HIGH-4-840-U10-xx-CP | 16,281 | 106.96 | 152 |
| | HIGH-4-840-U10-xx-WA | 16,095 | 106.96 | 150 |
| | HIGH-4-840-U10-xx-WP | 12,477 | 106.96 | 117 |

| HIGH-4-850 | | | | |
|------------|----------------------|------------------|---------|----------|
| | Lens Option | Delivered Lumens | Wattage | Efficacy |
| 5000K | HIGH-4-850-U10-xx-CA | 17,145 | 106.96 | 160 |
| | HIGH-4-850-U10-xx-CP | 16,170 | 106.96 | 151 |
| | HIGH-4-850-U10-xx-WA | 15,978 | 106.96 | 149 |
| | HIGH-4-850-U10-xx-WP | 12,392 | 106.96 | 116 |

Part

HIGH-8-850 (for 5000K), HIGH-8-840 (for 4000K) or HIGH-8-835 (for 3500K)

- 91.20" L x 3.75" W x 3.34" H
- Weight: 11 LBS



| HIGH-8-835 | | | | |
|------------|----------------------|------------------|---------|----------|
| | Lens Option | Delivered Lumens | Wattage | Efficacy |
| 3500K | HIGH-8-835-U10-xx-CA | 33,238 | 213.91 | 155 |
| | HIGH-8-835-U10-xx-CP | 31,348 | 213.91 | 147 |
| | HIGH-8-835-U10-xx-WA | 30,976 | 213.91 | 145 |
| | HIGH-8-835-U10-xx-WP | 24,025 | 213.91 | 112 |

| HIGH-8-840 | | | | |
|------------|----------------------|------------------|---------|----------|
| | Lens Option | Delivered Lumens | Wattage | Efficacy |
| 4000K | HIGH-8-840-U10-xx-CA | 34,525 | 213.91 | 161 |
| | HIGH-8-840-U10-xx-CP | 32,562 | 213.91 | 152 |
| | HIGH-8-840-U10-xx-WA | 32,190 | 213.91 | 150 |
| | HIGH-8-840-U10-xx-WP | 24,955 | 213.91 | 117 |

| HIGH-8-850 | | | | |
|------------|----------------------|------------------|---------|----------|
| | Lens Option | Delivered Lumens | Wattage | Efficacy |
| 5000K | HIGH-8-850-U10-xx-CA | 34,289 | 213.91 | 160 |
| | HIGH-8-850-U10-xx-CP | 32,340 | 213.91 | 151 |
| | HIGH-8-850-U10-xx-WA | 31,956 | 213.91 | 149 |
| | HIGH-8-850-U10-xx-WP | 24,785 | 213.91 | 116 |