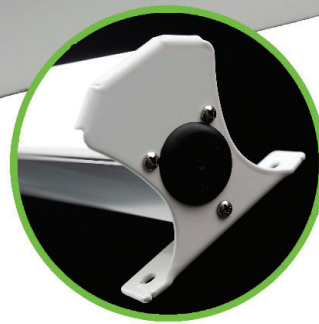


# LUX | HIGHline

LUX  
dynamics

Extruded aluminum architectural and task lighting LED luminaire for use in applications including, but not limited to subways, parking garages, airports, and office spaces.



## Performance

- Lumen output: **Up to 4,300 lumens per foot**
- Efficacy: **Up to 161 Lumens per Watt**
- L<sub>70</sub> (per TM-21): **72,000 Hours**
- L<sub>70</sub> (calculated): **147,000 Hours**
- Ambient Temp. Rating: **-40°F to 113°F (-40°C to 45°C)**  
Ambient temperature rating varies for auxiliary components
- Surge Protection: **6kV**
- Driver: **120-277V input, 0-10V Dimming (1% min. optional)**  
**347-480V input, 0-10V Dimming (1% min. optional)**

## Construction

- Extruded 6463 aluminum construction
- Stainless-steel hardware
- Bright dip anodized fixture body

## Optics

- Wide 120° beam angle LEDs
- Optional narrow optic for aisle and racking applications
- Diffusing lens available in frosted and clear material
- Lens may be acrylic or polycarbonate material

## Warranty

- 10-Year Warranty on fixture body
- 5-Year Warranty on electronics
- For special requests, contact factory

## Applications

- Office/Commercial
- Education
- Industrial/Task
- Inspection
- Parking Garage
- Natatorium
- Gymnasium

## Installation

- Aircraft cable suspension
- Surface mounting
- For special requests, contact factory

## Listings and Ratings

- UL 1598 for Dry, Damp, and Wet Locations
- ARRA Compliant (Made in America)
- DLC Listed
- IP55 Rated
- Exceeds IK10 impact rating with polycarbonate lenses
- IK10 rating does not apply to acrylic lenses
- 3G Vibration Rated
- ARRA/BAA Compliant
- Conformal coated LED modules for WET locations



Series	Length	CRI / CCT	Voltage and Dimming	
HIGH	2	7,744lm	<b>U10</b> 120-277V 0-10V dimming 10% min. <b>U1</b> 120-277V 0-10V dimming 1% min. <b>H10</b> 347-480V 0-10V dimming 10% min. <b>H1</b> 347-480V 0-10V dimming 1% min.	
	4	15,488lm		
	8	30,976lm		
				865 80CRI   6500K
				857 80CRI   5700K
				850 80CRI   5000K
				840 80CRI   4000K
				835 80CRI   3500K
				830 80CRI   3000K
				827 80CRI   2700K
				950 90CRI   5000K
				940 90CRI   4000K
				935 90CRI   3500K
		927 90CRI   2700K		

Delivered lumens with 3500K color / WA lens  
 Other color rendering indexes and color temperatures are available. Consult factory.  
 Other driver options available. Consult factory.  
 GREYED options not stocked and may need additional lead time

Some CRI, CCT and other output variations may affect DLC listing; contact LUX for further information.

## Options and Accessories

### Endcap

- HM** Hanger mount
  - SM** 3G rated surface mount
  - AIM** Rotatable surface mount bracket
- Standard powdercoat white, contact LUX for options

### Lensing

- CA** Clear acrylic diffuse lens
- CP** Clear polycarbonate diffuse lens
- WA** White acrylic diffuse lens (standard)
- WP** White polycarbonate diffuse lens

### Narrow Optic

- (leave blank)** Standard wide
- N** Narrow optic

Narrow optic may be used with or without lens. If using without lens, please leave lensing option blank.

### Lumen/Wattage Output

- CFO** Custom fixture output (specify custom lumen output)

### Emergency

- Exx** 10-watt and 15-watt integral batteries available, contact LUX for options

### Mounting

- 2Pxx** 2-Point aircraft cable suspension - hook ends (galvanized)
- 2PxxS** 2-Point aircraft cable suspension - hook ends (stainless-steel)
- SM** Surface mount, no additional hardware

### Cord

- (leave blank)** No cord provided
- 3/10** 3-wire, 10' cord | Standard white
- 4/10** 4-wire, 10' cord | Standard white
- 5/10** 5-wire, 10' cord | Standard white
- 6/10** 6-wire, 10' cord | Standard white

Standard 1/2" knockout provided in endcap for cord installation  
 1<sup>st</sup> digit: Number of wires, including ground. Available from 3 through 6.  
 2<sup>nd</sup> digit: Overall length, including strips. Available from 10' through 30'.  
 Through wiring available, contact factory

### Controls

- OC-KO** Knockout mounted on/off occupancy sensor (120-277V input)
- Wireless** Multiple wireless control systems available. Contact Factory for options and details
- Controls**

Lens	
Standard/Nominal = WA Lens	
Lumen Multipliers Compared to "Nominal"	
CA	107.3%
CP	101.2%
WA (nominal)	100.0%
WP	77.5%
Narrow Optic	
Standard/Nominal = no "N" optic (Wide)	
Lumen Multiplier Compared to "Nominal"	
N	93.6%

CCT	
Standard/Nominal = 3500K CCT	
Lumen Multipliers Compared to "Nominal"	
6500K	100.0%
5700K	100.0%
5000K	103.2%
4000K	103.9%
3500K (nominal)	100.0%
3000K	95.0%
2700K	90.0%

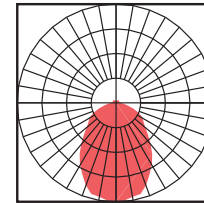
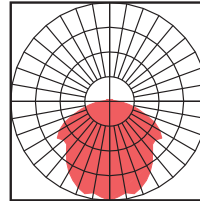
CRI	
Standard/Nominal = 80 CRI	
Lumen Multipliers Compared to "Nominal"	
80 CRI (nominal)	100.0%
90 CRI Options	
6500K (90 CRI)	84.9%
5700K (90 CRI)	85.2%
5000K (90 CRI)	85.2%
4000K (90 CRI)	85.2%
3500K (90 CRI)	83.5%
3000K (CRI 90)	81.0%
2700K (CRI 90)	76.6%

## NRW + Lens (N + CA, CP, WA, WP)

Achieved using our narrow optic in addition to any of our standard lenses

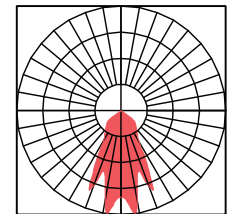
## Lensed (CA, CP, WA, or WP)

Achieved using any of our standard lenses

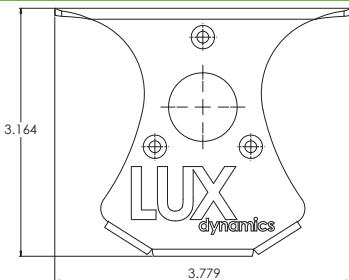


## NRW Optic Only (N)

Achieved using our narrow optic only, no lens included

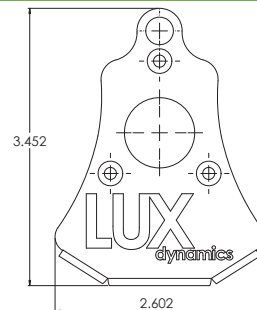


## Endcap Option Details



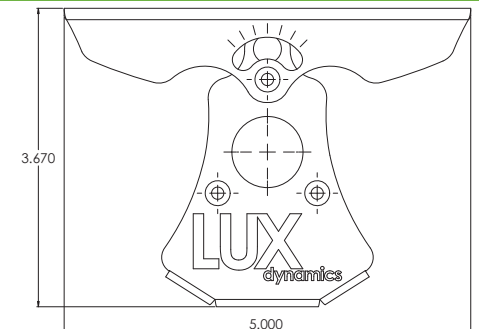
### Surface Mount

Surface mount endcap  
 (surface-mounting hardware provided by others)



### Hanger Mount

2Pxx, 2PxxS: Aircraft cable mounting with snap hooks  
 (xx denotes cable length)



### Rotatable Surface Mount

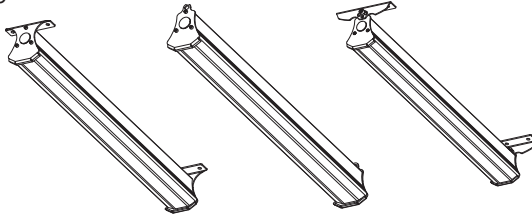
Rotatable surface mount endcap  
 (surface-mounting hardware provided by others)

# Technical Specifications

## Part #

**HIGH-2-850 (for 5000K), HIGH-2-840 (for 4000K) or HIGH-2-835 (for 3500K)**

- 23.14" L x 3.75" W x 3.34" H
- Weight: 3 LBS



3500K

HIGH-2-835			
Lens Option	Delivered Lumens	Wattage	Efficacy
HIGH-2-835-U10-xx-CA	8,309	53.48	155
HIGH-2-835-U10-xx-CP	7,837	53.48	147
HIGH-2-835-U10-xx-WA	7,744	53.48	145
HIGH-2-835-U10-xx-WP	6,006	53.48	112

4000K

HIGH-2-840			
Lens Option	Delivered Lumens	Wattage	Efficacy
HIGH-2-840-U10-xx-CA	8,631	53.48	161
HIGH-2-840-U10-xx-CP	8,141	53.48	152
HIGH-2-840-U10-xx-WA	8,044	53.48	150
HIGH-2-840-U10-xx-WP	6,239	53.48	117

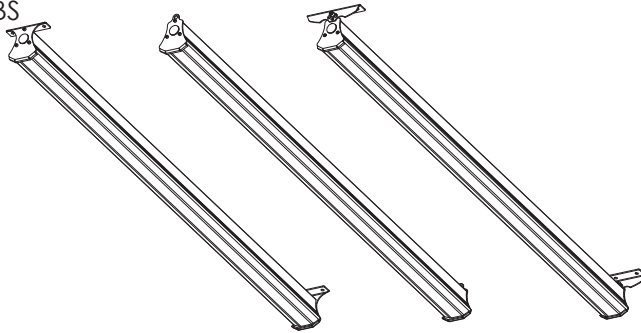
5000K

HIGH-2-850			
Lens Option	Delivered Lumens	Wattage	Efficacy
HIGH-2-850-U10-xx-CA	8,572	53.48	160
HIGH-2-850-U10-xx-CP	8,085	53.48	151
HIGH-2-850-U10-xx-WA	7,989	53.48	149
HIGH-2-850-U10-xx-WP	6,196	53.48	116

## Part #

**HIGH-4-850 (for 5000K), HIGH-4-840 (for 4000K) or HIGH-4-835 (for 3500K)**

- 46.20" L x 3.75" W x 3.34" H
- Weight: 6 LBS



3500K

HIGH-4-835			
Lens Option	Delivered Lumens	Wattage	Efficacy
HIGH-4-835-U10-xx-CA	16,619	106.96	155
HIGH-4-835-U10-xx-CP	15,674	106.96	147
HIGH-4-835-U10-xx-WA	15,488	106.96	145
HIGH-4-835-U10-xx-WP	12,012	106.96	112

4000K

HIGH-4-840			
Lens Option	Delivered Lumens	Wattage	Efficacy
HIGH-4-840-U10-xx-CA	17,263	106.96	161
HIGH-4-840-U10-xx-CP	16,281	106.96	152
HIGH-4-840-U10-xx-WA	16,095	106.96	150
HIGH-4-840-U10-xx-WP	12,477	106.96	117

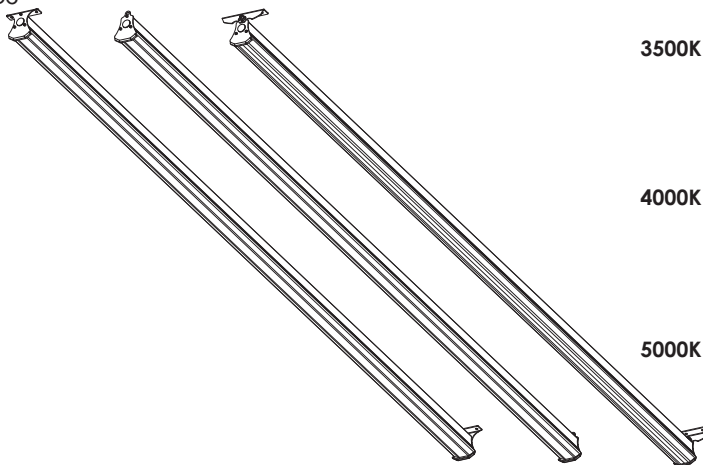
5000K

HIGH-4-850			
Lens Option	Delivered Lumens	Wattage	Efficacy
HIGH-4-850-U10-xx-CA	17,145	106.96	160
HIGH-4-850-U10-xx-CP	16,170	106.96	151
HIGH-4-850-U10-xx-WA	15,978	106.96	149
HIGH-4-850-U10-xx-WP	12,392	106.96	116

## Part #

**HIGH-8-850 (for 5000K), HIGH-8-840 (for 4000K) or HIGH-8-835 (for 3500K)**

- 91.20" L x 3.75" W x 3.34" H
- Weight: 11 LBS



3500K

HIGH-8-835			
Lens Option	Delivered Lumens	Wattage	Efficacy
HIGH-8-835-U10-xx-CA	33,238	213.91	155
HIGH-8-835-U10-xx-CP	31,348	213.91	147
HIGH-8-835-U10-xx-WA	30,976	213.91	145
HIGH-8-835-U10-xx-WP	24,025	213.91	112

4000K

HIGH-8-840			
Lens Option	Delivered Lumens	Wattage	Efficacy
HIGH-8-840-U10-xx-CA	34,525	213.91	161
HIGH-8-840-U10-xx-CP	32,562	213.91	152
HIGH-8-840-U10-xx-WA	32,190	213.91	150
HIGH-8-840-U10-xx-WP	24,955	213.91	117

5000K

HIGH-8-850			
Lens Option	Delivered Lumens	Wattage	Efficacy
HIGH-8-850-U10-xx-CA	34,289	213.91	160
HIGH-8-850-U10-xx-CP	32,340	213.91	151
HIGH-8-850-U10-xx-WA	31,956	213.91	149
HIGH-8-850-U10-xx-WP	24,785	213.91	116