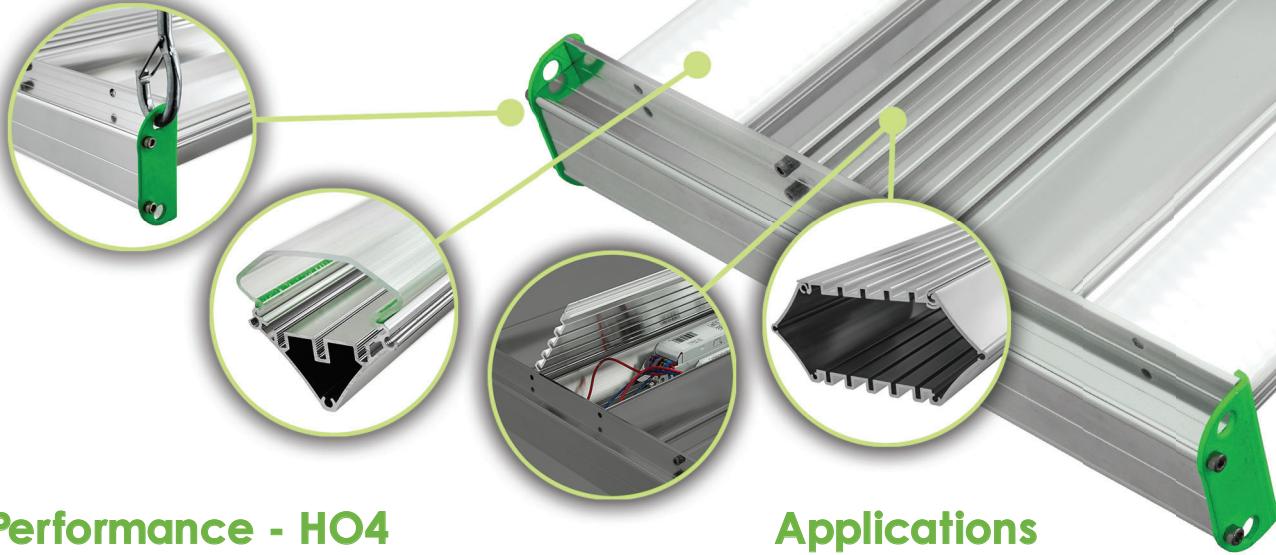


Series - Specification Sheet



Performance - HO4

- Lumen output: **24,000, 48,000, and 72,000 lumens**
- Efficacy: **Up to 155 Lumens per Watt**
- L₇₀ (per TM-21): **60,000 Hours**
- L₇₀ (calculated): **116,000 Hours**
- Ambient Temp. Rating: **-40°F to 150°F (-40°C to 65.5°C)**
- Ambient temperature rating varies for auxiliary components
- Surge Protection: **6kV**
- Driver: **120-277V input, 0-10V Dimming (down to 10%)**

Construction

- Extruded 6463 aluminum construction
- Stainless-steel hardware
- Bright dip anodized fixture body
- Isolated driver channels
- Thermally independent heat sink LED bars

Optics

- Wide 120° beam angle LEDs
- Optional narrow optic for racking and aisle applications
- Diffusing lens available in frosted/clear material
- Acrylic lens material
- Lens offers up to 6% uplight
- Special requests, contact Factory

Applications

- Warehouses
- Manufacturing/Industrial
- Hangars

Installation

- Aircraft cable suspension
- Surface mounting
- For special requests, contact Factory

Listing and Ratings

- UL 1598 for Dry and Damp Locations
- ARRA Compliant (Made in America)
- DLC Premium Listed
- 3G Vibration Rated

Warranty

- 10-Year Warranty on fixture body
- 5-Year Warranty on electronics
- For special requests, contact Factory



Example Catalog Number:

GO2		24	850	
		Delivered lumens with HO4, 5000K/4000K color, and CA lens		
Series	Lumen Output		CRI / CCT	
GO2	24	23,979lm	850	80CRI 5000K
	48	47,248lm	840	80CRI 4000K
	72	70,627lm		

Options and Accessories

Lensing (blank) NL Clear acrylic diffuse lens (standard)
NL No lensing

Cord (not installed)
(leave blank) No cord provided
3/10 3-wire, 10' cord | Standard white
4/10 4-wire, 10' cord | Standard white
5/10 5-wire, 10' cord | Standard white

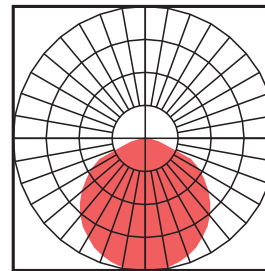
Cord not installed
 Standard 1/2" knockout provided in endcap for cord installation
 1st digit: Number of wires, including ground. Available from 3 through 6.
 2nd digit: Overall length, including strips. Available from 10' through 30'.

Mounting (leave blank) No mounting hardware provided
10Y 10" Y-Hanger with hook ends for mounting
SM No mounting Hardware Provided, may be surface mounted
 Contact Factory for other options

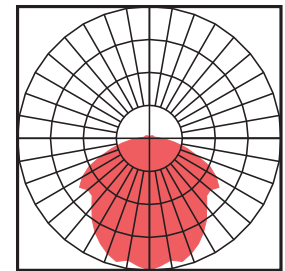
Controls - (120-277v input)
OC-GO2 Knockout mounted on/off occupancy sensor (**NOT INSTALLED**)
OC Integral on/off occupancy sensor
DO-GO2 Knockout mounted high/low/off occupancy and daylight harvesting sensor (**NOT INSTALLED**)
DO Integral high/low/off occupancy and daylight harvesting sensor

Emergency
E20 20-watt non-integral emergency battery (CA Title-20 compliant) **must be field-installed**
 Contact Factory for integral configurations

(No Lens)
 standard 120° distribution achieved when using bare LEDs with no secondary optics



Lensed
 wide/diffused optic achieved using any of our standard lenses



Emergency Battery Performance

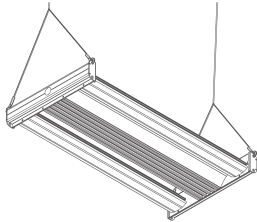
E20 (20 Watt EM)	
Lens Option	Delivered Lumens
NL	4,190
CA	3,920

E30 (30 Watt EM)	
Lens Option	Delivered Lumens
NL	6,269
CA	5,864

Mounting Option Details

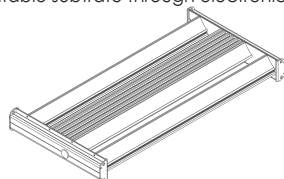
2-Point Y-Cable Mount

Part Numbers:
10Y
 Description:
 • 10' in length
 • Galvanized steel cable and mounting hook



Surface mounting (no additional hardware or mounting holes supplied)

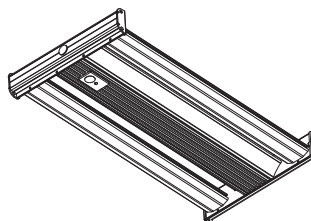
Part Number:
SM
 Description:
 • SM available for all options, no additional hardware supplied
 • Fixture may be anchored flush to any suitable substrate through electronics channel



Sensor Details

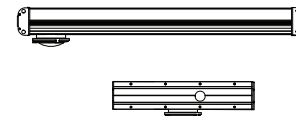
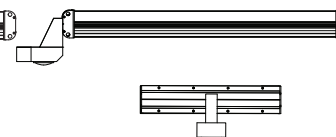
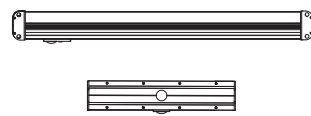
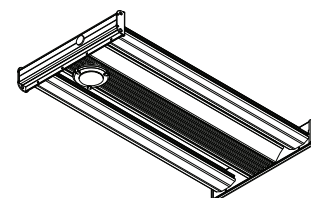
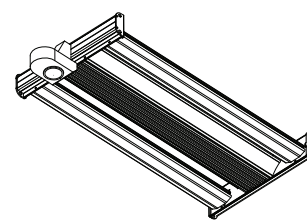
Occupancy Sensor

Part Numbers:
OC, OC-GO2
 Description:
 • PIR occupancy sensor (line voltage 120-277V input and 0-10V dimming)
 • Ambient temperature rating: -10°C to 60°C
 • Mounting height: 15' to 45'
 • Coverage area: 15' to 20' radial coverage (30'-40' diameter) typical



Daylight Harvesting Sensor

Part Numbers:
DO, DO-GO2
 Description:
 • DLH photocell sensor (line voltage 120-277V input and 0-10V dimming)
 • Ambient temperature rating: -40°C to 70°C
 • Mounting height: 8' to 45'
 • Coverage area: 100' diameter at 40' mounting height



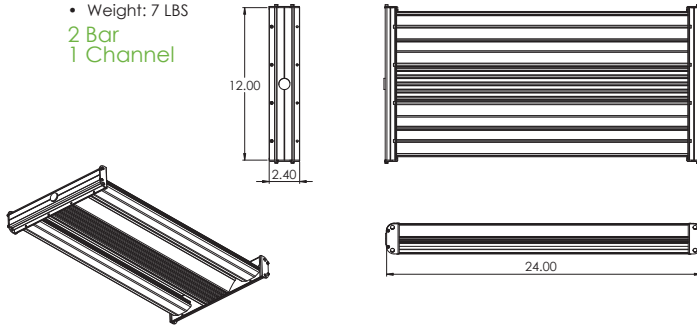
Technical Specifications

Delivered lumens based on HO4 performance data

Part #
GO2-24-840 (for 4000K) or GO2-24-850 (for 5000K)

- 24"L x 12"W x 2.4"H
- Weight: 7 LBS

2 Bar
 1 Channel



5000K

Model	Delivered Lumens	Wattage	Efficacy
GO2-24-850-NL	25,637	166	154
GO2-24-850-CA	23,979	166	144

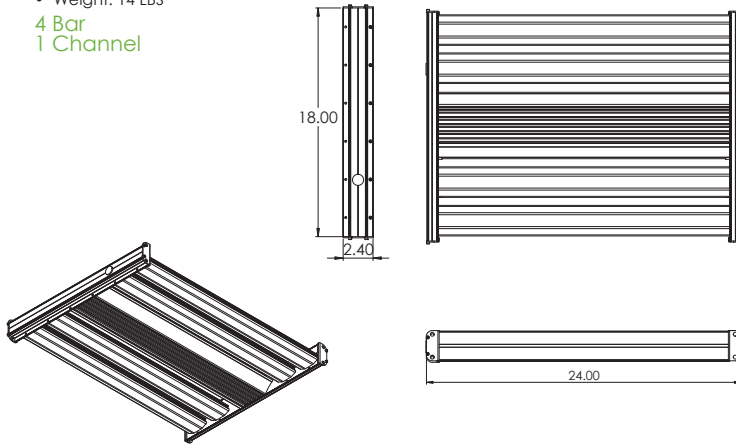
4000K

Model	Delivered Lumens	Wattage	Efficacy
GO2-24-840-NL	25,637	166	154
GO2-24-840-CA	23,979	166	144

Part #
GO2-48-840 (for 4000K) or GO2-48-850 (for 5000K)

- 24"L x 24"W x 2.4"H
- Weight: 14 LBS

4 Bar
 1 Channel



5000K

Model	Delivered Lumens	Wattage	Efficacy
GO2-48-850-NL	50,513	332	152
GO2-48-850-CA	47,248	332	142

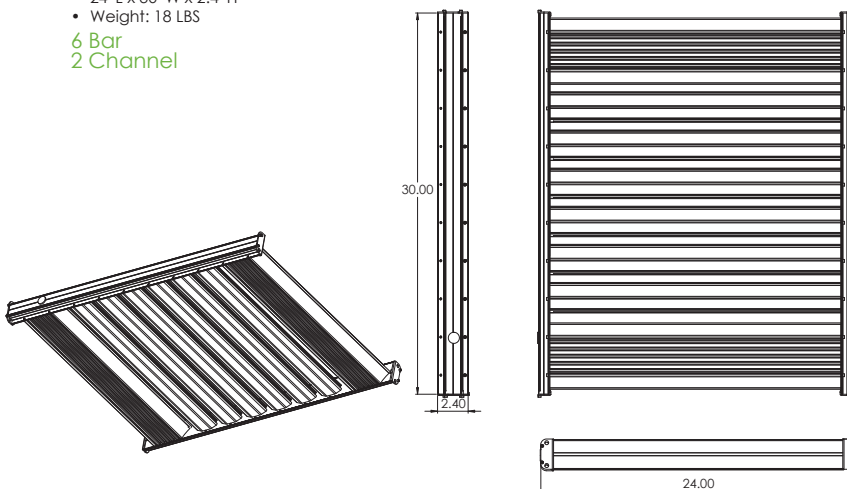
4000K

Model	Delivered Lumens	Wattage	Efficacy
GO2-48-840-NL	50,513	332	152
GO2-48-840-CA	47,248	332	142

Part #
GO2-72-840 (for 4000K) or GO2-72-850 (for 5000K)

- 24"L x 30"W x 2.4"H
- Weight: 18 LBS

6 Bar
 2 Channel



5000K

Model	Delivered Lumens	Wattage	Efficacy
GO2-72-850-NL	75,507	497	152
GO2-72-850-CA	70,627	497	142

4000K

Model	Delivered Lumens	Wattage	Efficacy
GO2-72-840-NL	75,507	497	152
GO2-72-840-CA	70,627	497	142