

Installation Instructions

IMPORTANT SAFEGUARDS

When using electrical equipment, the following safety precautions should always be taken:

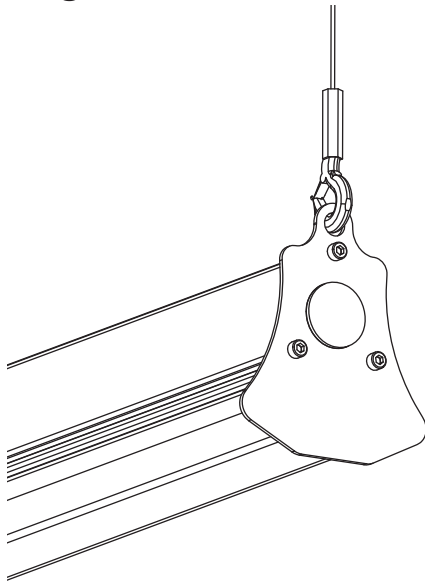
READ AND FOLLOW ALL INSTRUCTIONS AND SAFETY PRECAUTIONS

1. To avoid the possibility of electrical shock, turn off power supply before installation or servicing.
2. Product must be installed in accordance with NEC and your local electrical code. If you are not familiar with these codes and requirements, consult a qualified electrician.
3. Ensure the mounting surface is capable of supporting the weight of the luminaire before installation.
4. The endcap design may vary between BASE, BRITE, and HIGH LINE fixtures.
5. For wet locations, sealant between endcaps and fixture channel is required.

SAVE THESE INSTRUCTIONS FOR FUTURE REFERENCE

BASE/BRITE/HIGH-x-xxx-AC

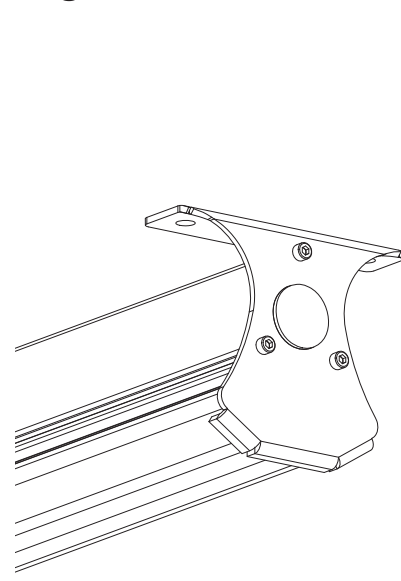
Pg. 2



Hanger Mount Endcap

BASE/BRITE/HIGH-x-xxx-SM

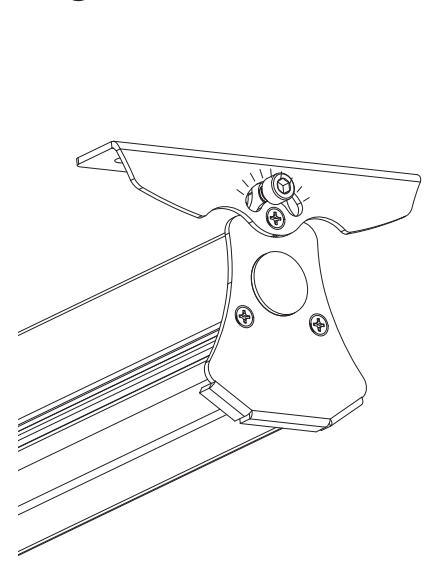
Pg. 3



Surface Mount Endcap

HIGH-x-xxx-AIM

Pg. 4

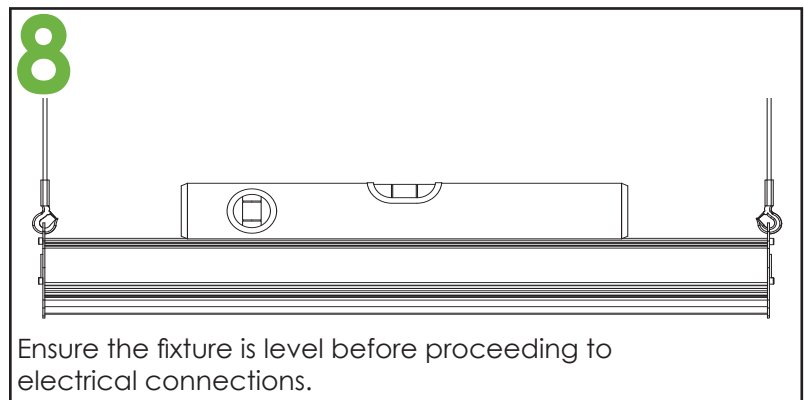
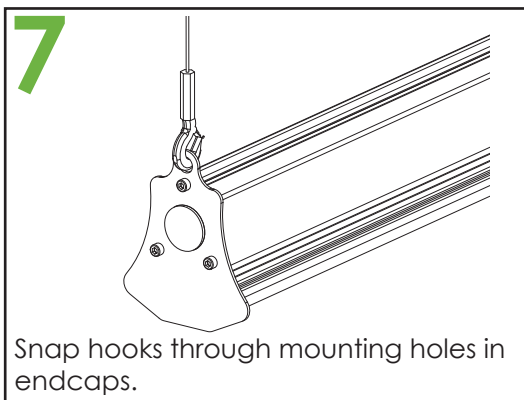
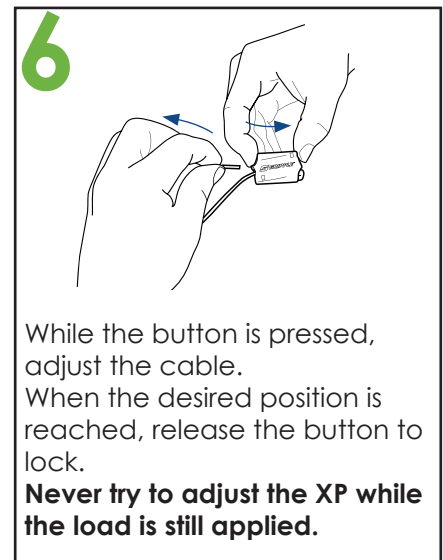
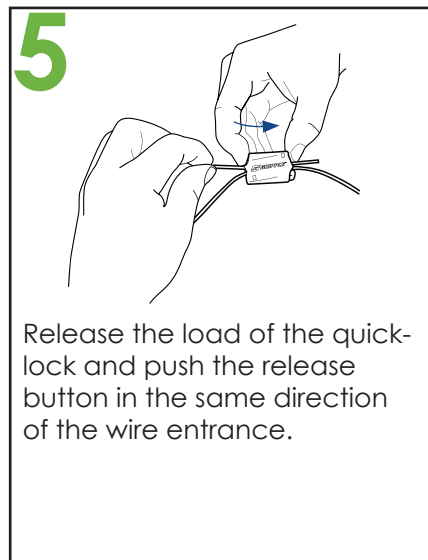
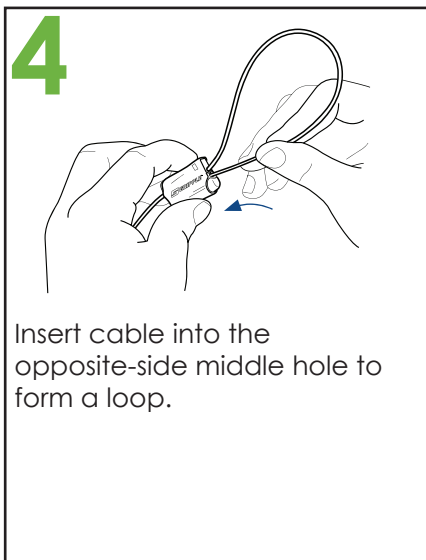
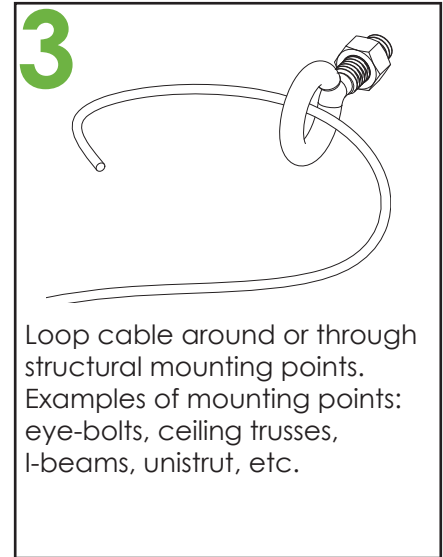
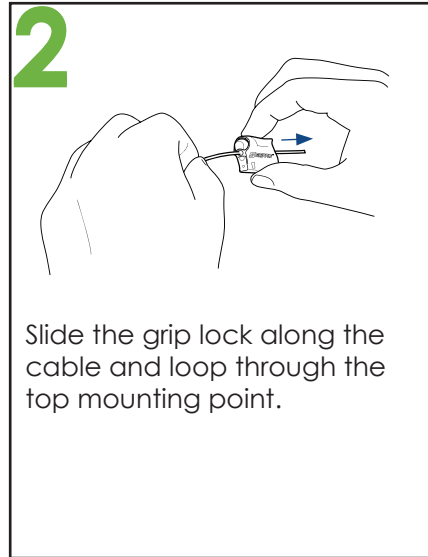
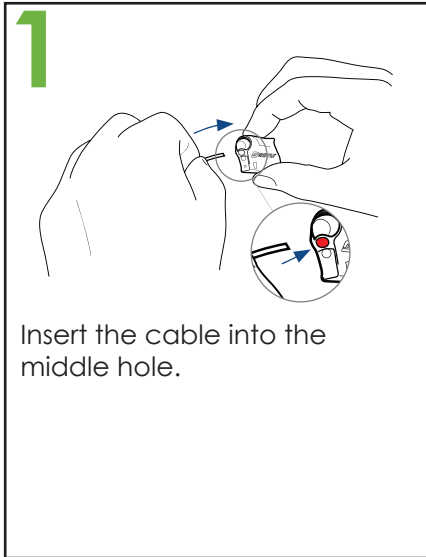


Rotatable Surface Mount Endcap

Electrical Connections Pg. 5

LUX. BASEline BRITeline HIGHline

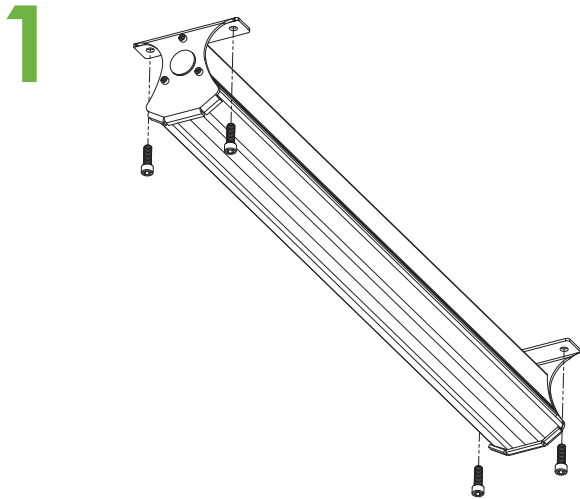
Fixture: **BASE/BRITE/HIGH-x-xxx-HM**
Mounting: **2Pxx** hanger kit



LUX. BASEline BRITeline HIGHline

Fixture: **BASE/BRITE/HIGH-x-xxx-SM**

Mounting: **Surface Mount** (bracket only, hardware not provided)

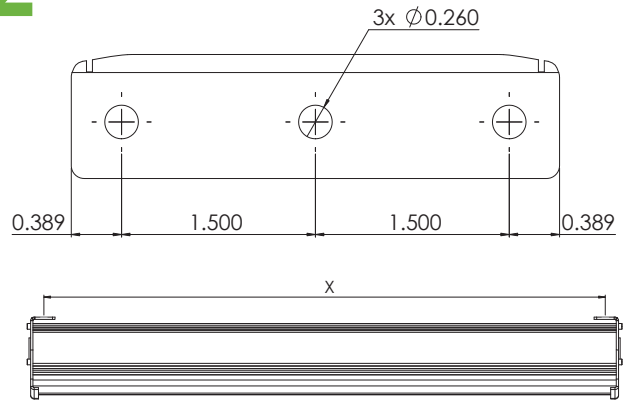


Fixtures ship with pre-installed surface mount brackets. Each endcap has (3) 1/4" mounting holes, see "2" for bracket hole pattern.

For "WB" power feed option, electrical connections are typically completed before mounting fixture, see pg. 4 for details.

2

SM Bracket Hole Pattern



On-Center Spacing

BASE/BRITE-2-XXX-SM: X = 22.0070"

BASE/BRITE-4-XXX-SM: X = 45.0695"

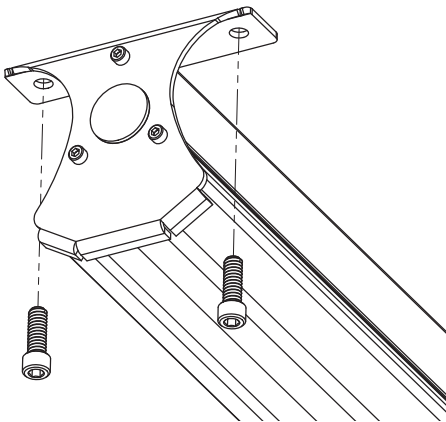
BASE/BRITE-8-XXX-SM: X = 90.0695"

HIGH-2-XXX-SM: X = 21.9925"

HIGH-4-XXX-SM: X = 45.0550"

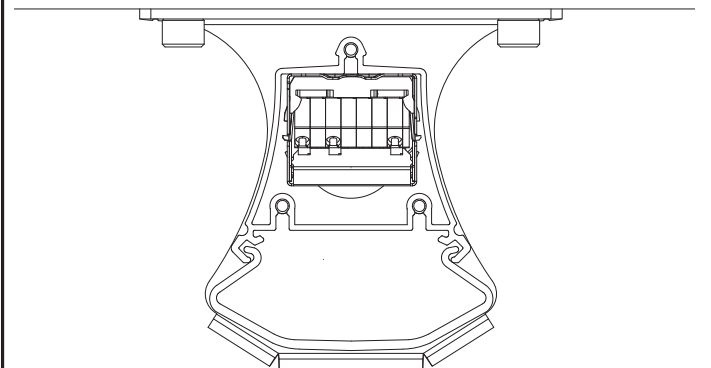
HIGH-8-XXX-SM: X = 90.0550"

3



Mount bracket to the structure or wall. Hardware to mount bracket to structure is not provided. Ensure mounting surface is able to support weight of fixture.

4

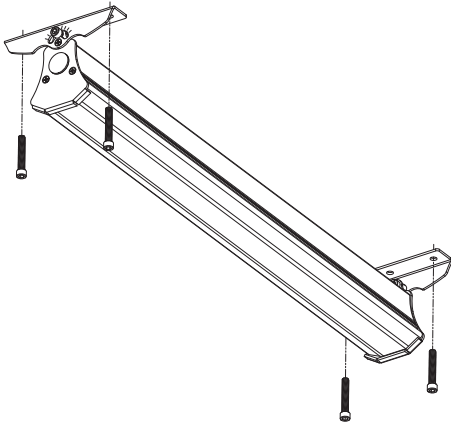


Ensure the fixture is firmly mounted with the brackets flush to mounting surface and all hardware flush to the mounting bracket.

Fixture: **HIGH-x-xxx-AIM**

Mounting: **Rotatable Surface Mount** (bracket only, hardware not provided)

1

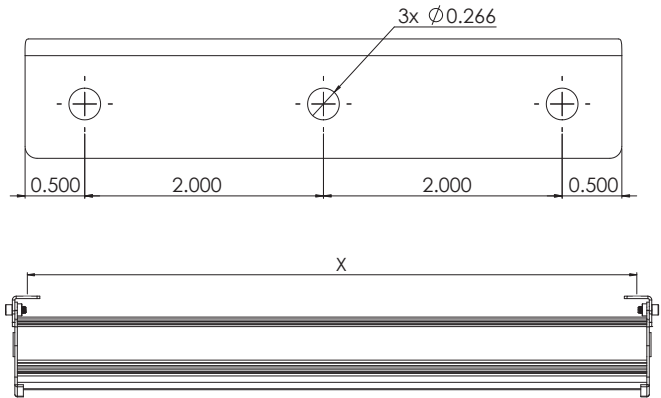


Fixtures ship with pre-installed surface mount brackets. Each endcap has (3) 1/4" mounting holes, see "2" for bracket hole pattern.

For "WB" power feed option, electrical connections are typically completed before mounting fixture, see pg. 4 for details.

2

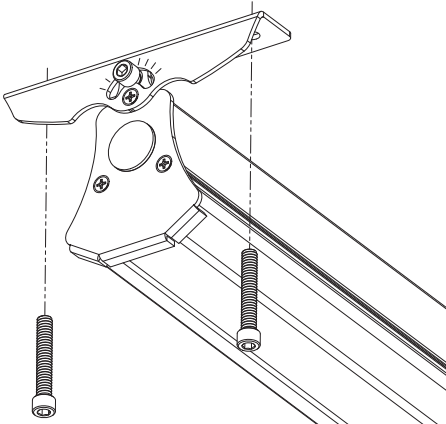
SM Bracket Hole Pattern



On-Center Spacing

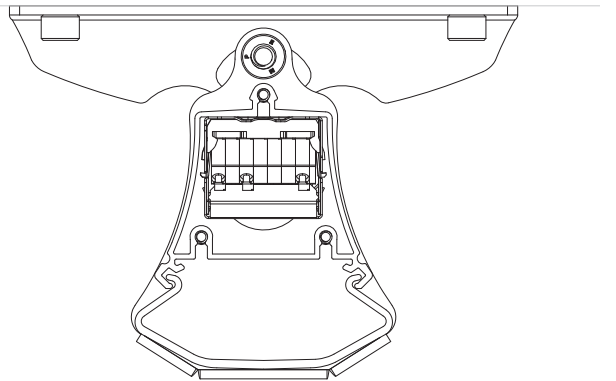
- HIGH-2-XXX-AIM: X = 22.2075"
- HIGH-4-XXX-AIM: X = 45.2700"
- HIGH-8-XXX-AIM: X = 90.2700"

3



Mount bracket to the structure or wall. Hardware to mount bracket to structure is not provided. Ensure mounting surface is able to support weight of fixture.

4



Ensure the fixture is firmly mounted with the brackets flush to mounting surface and all hardware flush to the mounting bracket.

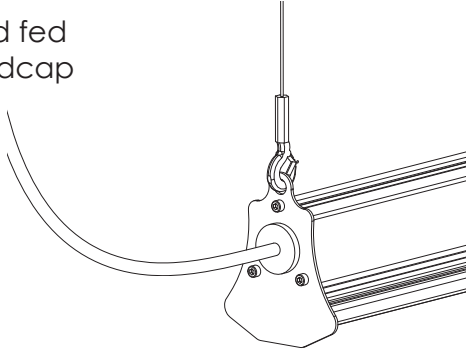
The fixture may be aimed by loosening and tightening the 1/4-20 bolts on each side of the fixture.



Electrical Connections

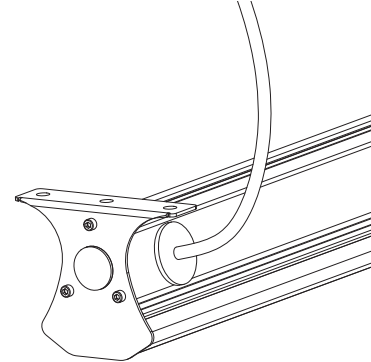
Standard Power Feed

Power cord fed through endcap

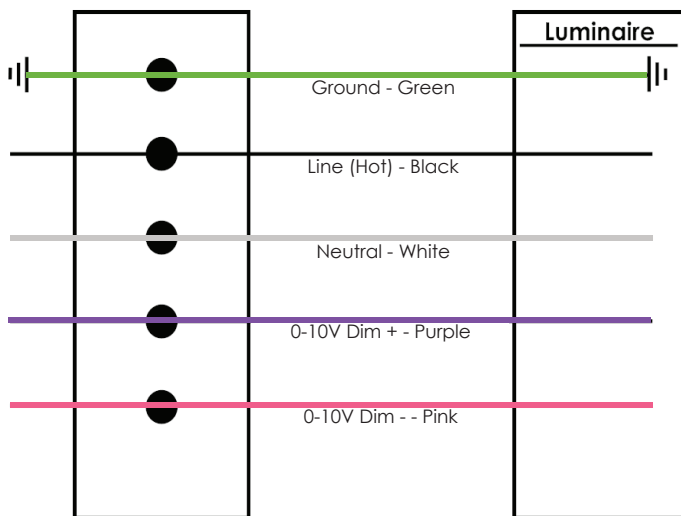


WB Power Feed

Power cord fed through machined hole in electronics channel



For 5-Conductor Installations



For 6-Conductor Installations



Make the Following Electrical Connections:

- Connect the green ground lead to the green position of the terminal block.
- Connect the black fixture lead to the voltage supply position or Hot 1 (for 208/240V wiring).
- For 6 conductor installations, connect the red fixture lead to the voltage supply position or Hot 2 (for multiple-switch installations).
- Connect the white fixture lead to the neutral supply position or Hot 2 (for 208/240V wiring).
- Connect the purple* dimming positive lead to the supply dimming positive lead.
- Connect the pink* dimming negative lead to the supply dimming negative lead.

*Note: Some 5-conductor cords may have red and blue dimming wires (positive and negative respectively).