



# Installation Instructions

## IMPORTANT SAFEGUARDS

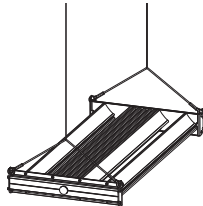
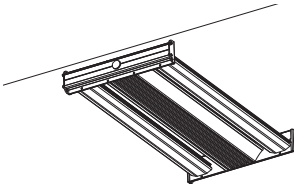
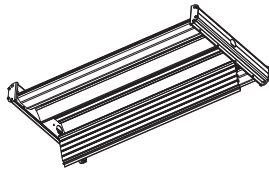
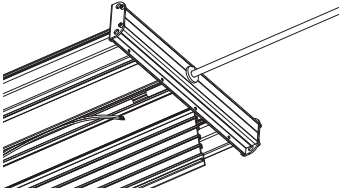
When using electrical equipment, the following safety precautions should always be taken:

### READ AND FOLLOW ALL SAFETY INSTRUCTIONS BEFORE INSTALLATION

1. To avoid the possibility of electrical shock, turn off power supply before installation or servicing.
2. Product must be installed in accordance with NEC and your local electrical code. If you are not familiar with these codes and requirements, consult a qualified electrician.
3. Ensure the mounting surface is capable of supporting the weight of the luminaire before installation.

### SAVE THESE INSTRUCTIONS FOR FUTURE REFERENCE

## Document Contents

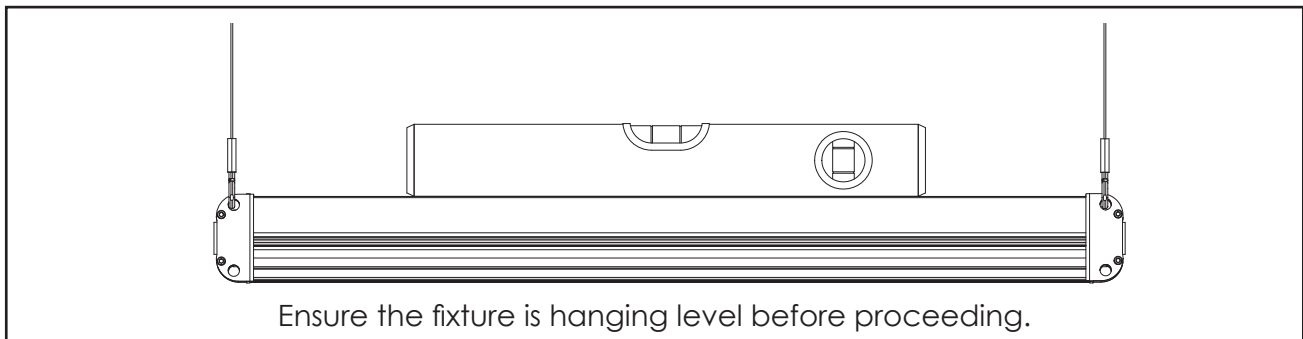
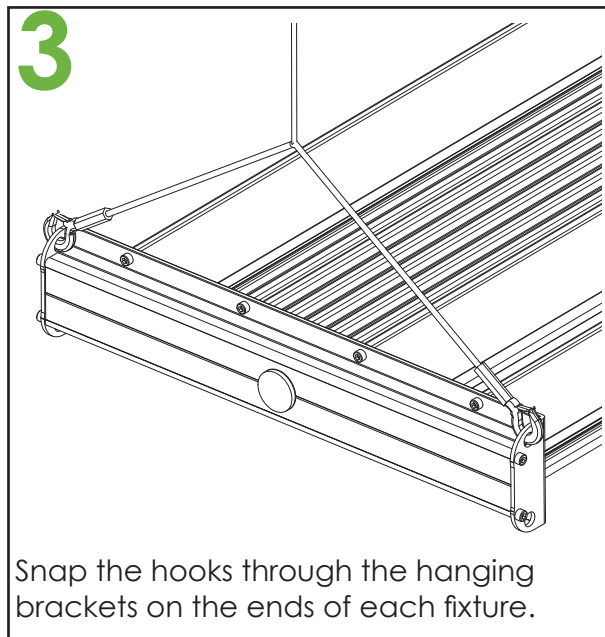
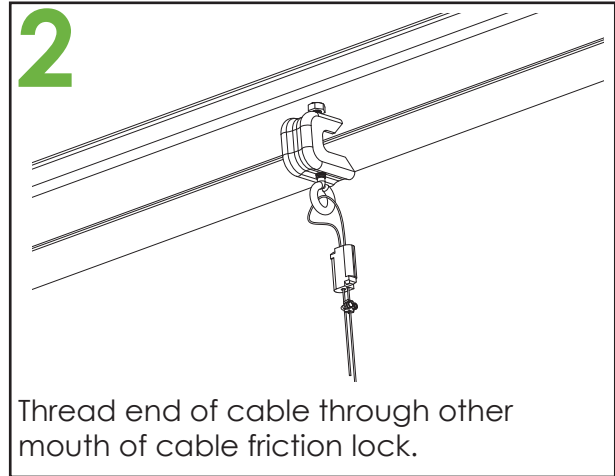
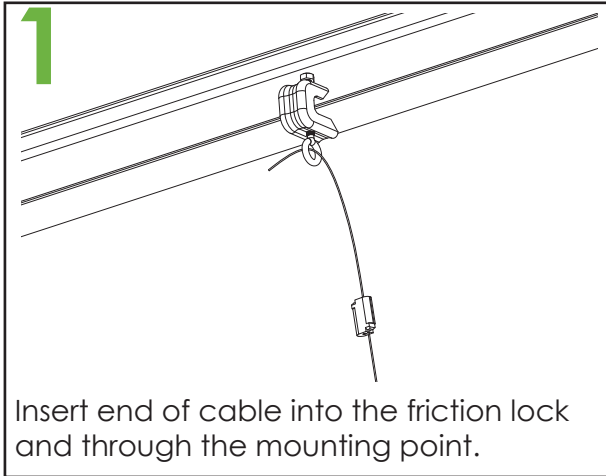
Cable Mount (page 2)	
Surface Mount (page 3)	
Channel Access (page 4)	
Installing a Cord (page 5)	
Electrical Connections (page 6)	





## To Install: **Cable Mounting**

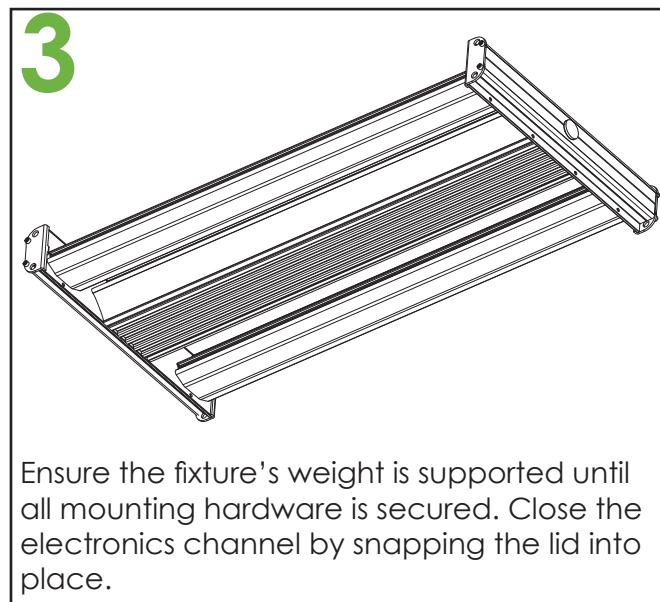
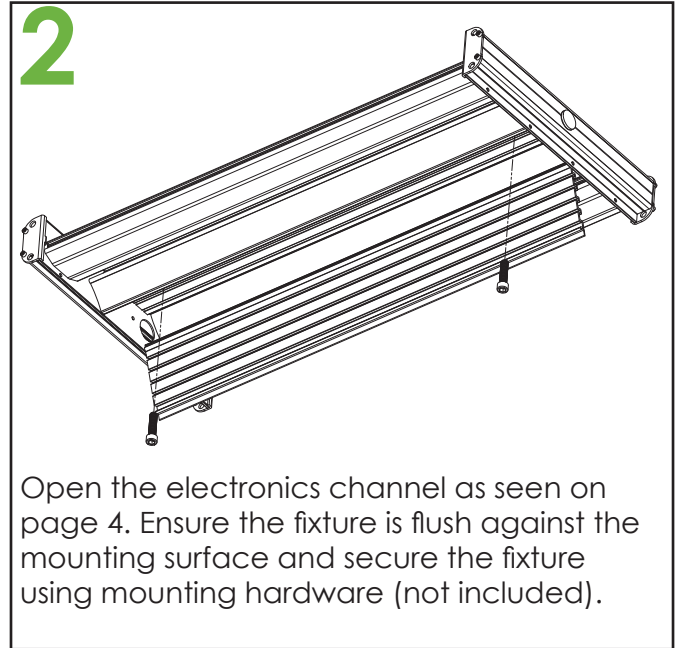
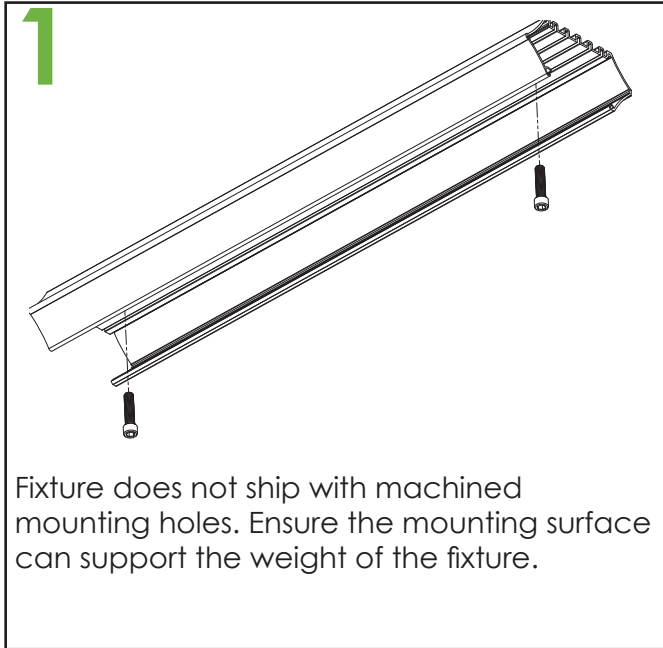
For use with options: **10Y**





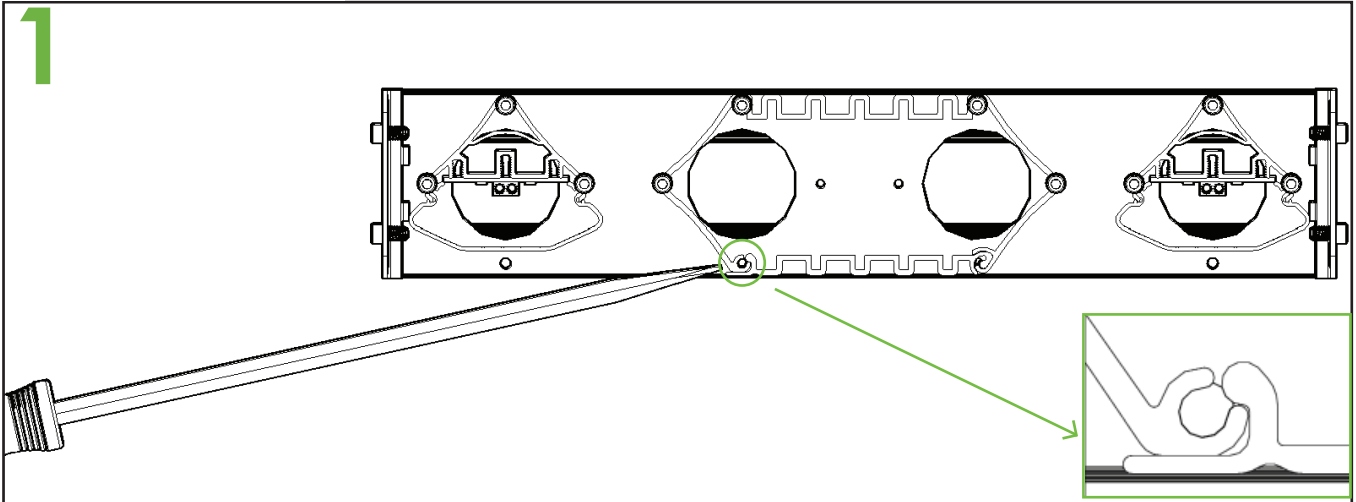
## To Install: **Surface Mount**

For use with options: **SM**



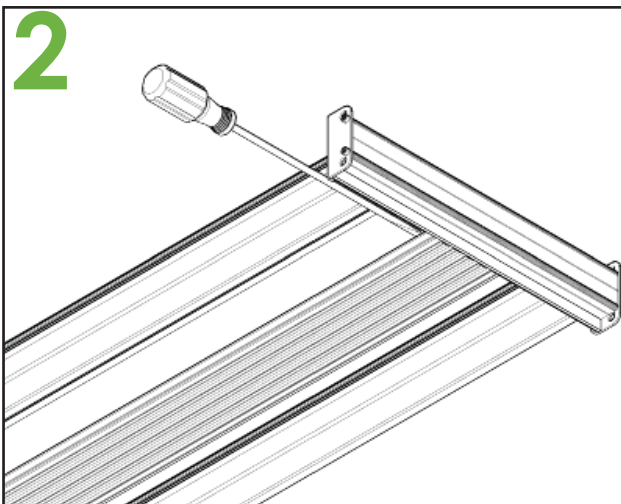
# GO<sup>2</sup> Channel Access

**1**



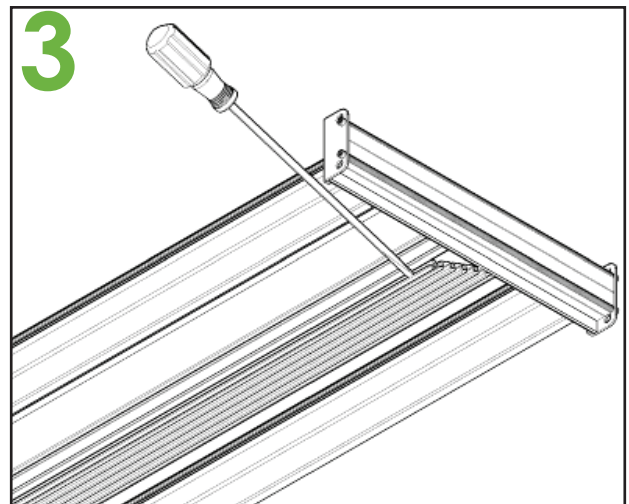
Locate the flanged edge of the channel, opposite the hinge, as seen in the cross section above.

**2**

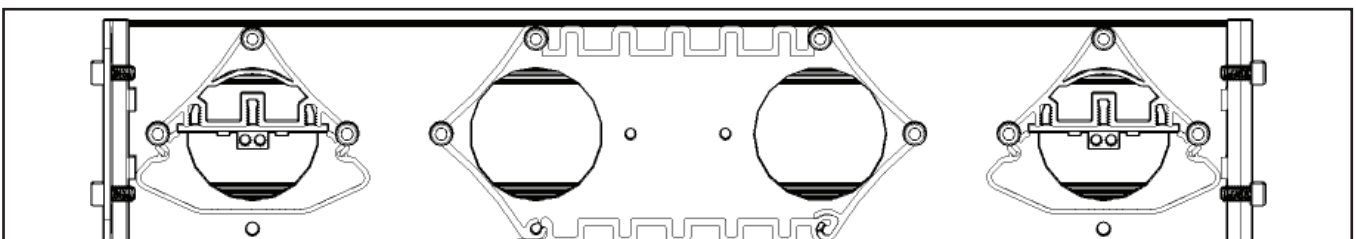


Using your fingers or a flat tool, pry open the hinged lid.

**3**



You now have access to the channel. The lid will not disjoin from the fixture.



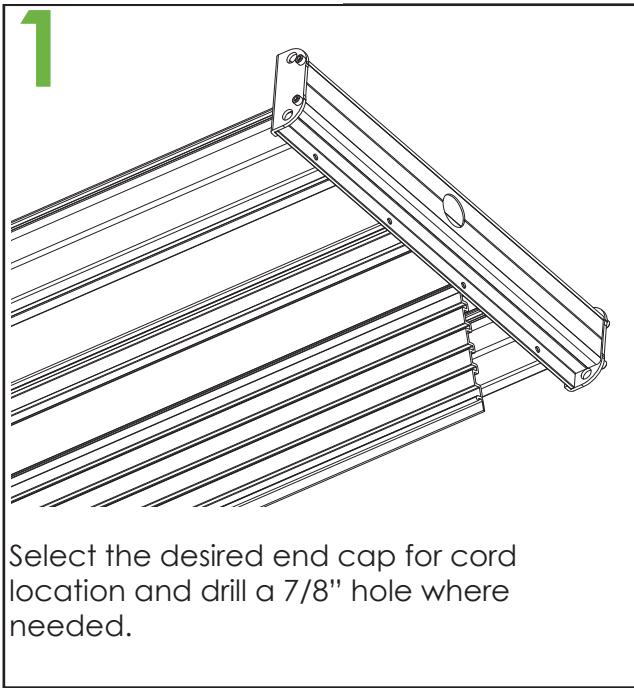
To close, press lid firmly back into place.



# GO<sup>2</sup> To Install: Cord

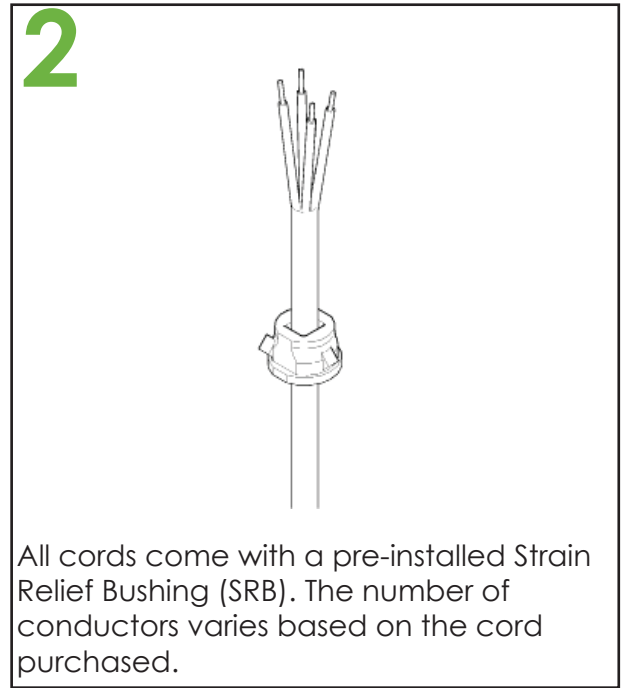
For use when purchasing cords separately

**1**



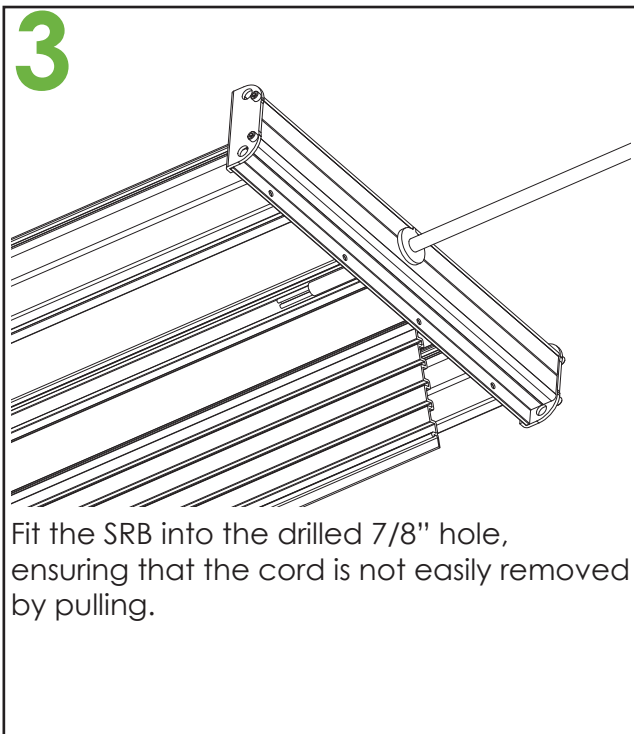
Select the desired end cap for cord location and drill a 7/8" hole where needed.

**2**



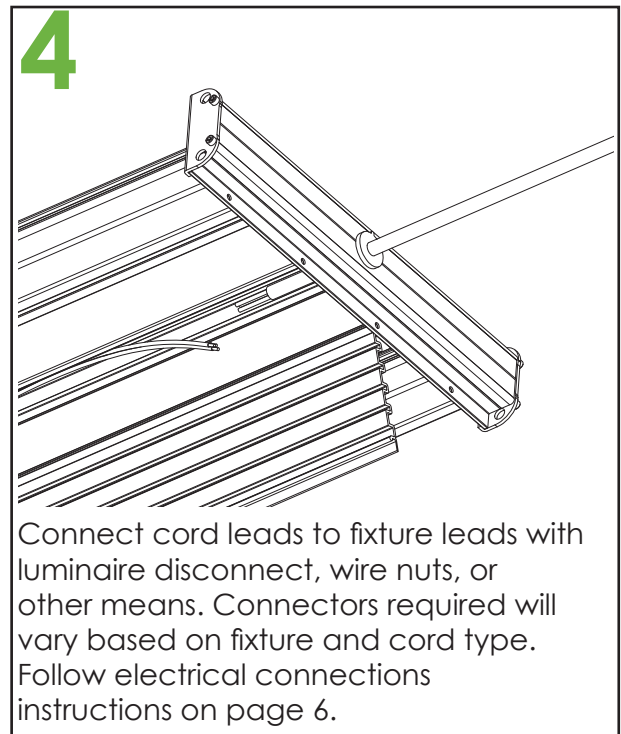
All cords come with a pre-installed Strain Relief Bushing (SRB). The number of conductors varies based on the cord purchased.

**3**



Fit the SRB into the drilled 7/8" hole, ensuring that the cord is not easily removed by pulling.

**4**

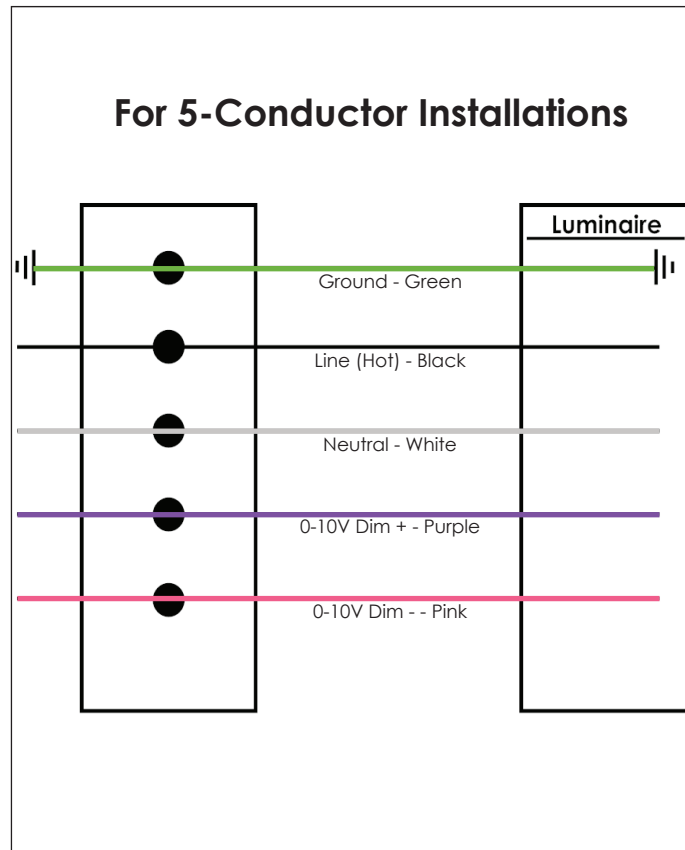


Connect cord leads to fixture leads with luminaire disconnect, wire nuts, or other means. Connectors required will vary based on fixture and cord type. Follow electrical connections instructions on page 6.





## Electrical Connections



### Make the Following Electrical Connections:

- Connect the green ground lead to the green position of the terminal block.
- Connect the black fixture lead to the voltage supply position or Hot 1 (for 208/240V wiring).
- For 6 conductor installations, connect the red fixture lead to the voltage supply position or Hot 2 (for multiple-switch installations).
- Connect the white fixture lead to the neutral supply position or Hot 2 (for 208/240V wiring).
- Connect the purple\* dimming positive lead to the supply dimming positive lead.
- Connect the pink\* dimming negative lead to the supply dimming negative lead.

\*Note: Some 5-conductor cords may have red and blue dimming wires (positive and negative respectively).

