

Installation Instructions

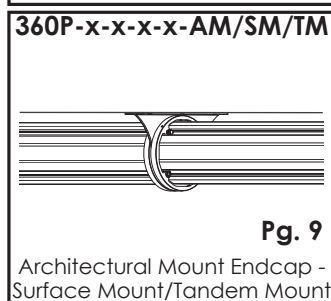
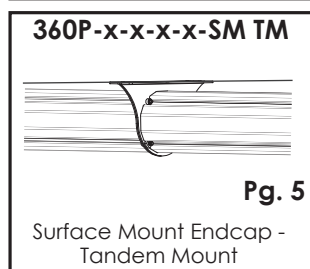
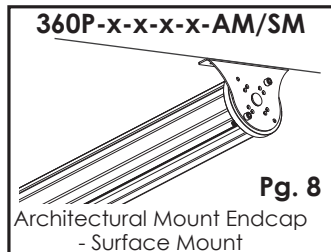
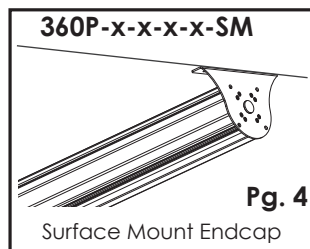
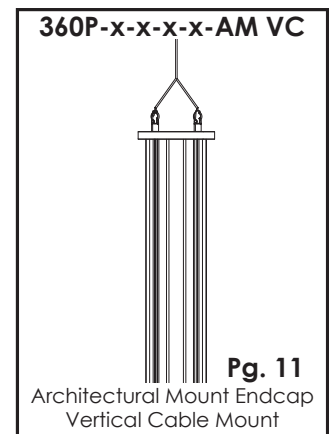
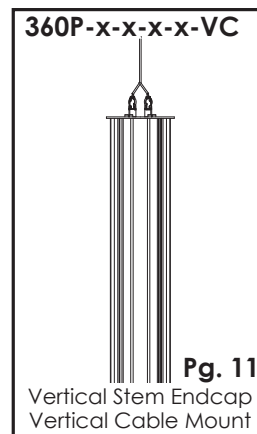
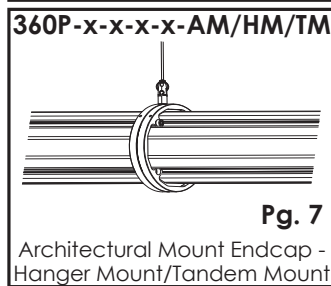
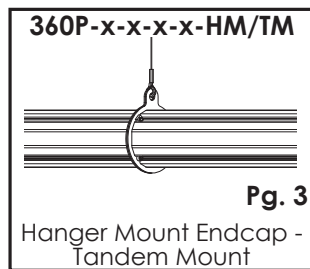
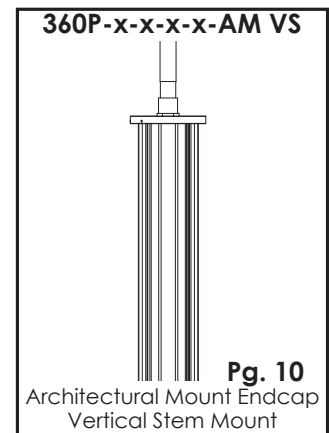
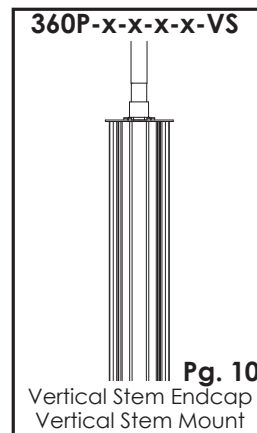
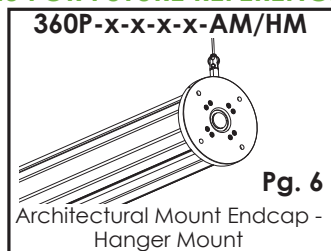
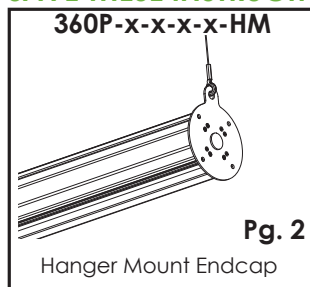
IMPORTANT SAFEGUARDS

When using electrical equipment, the following safety precautions should always be taken:

READ AND FOLLOW ALL SAFETY INSTRUCTIONS

1. To avoid the possibility of electrical shock, turn off power supply before installation or servicing.
2. Product must be installed in accordance with NEC and your local electrical code. If you are not familiar with these codes and requirements, consult a qualified electrician.
3. Ensure the mounting surface is capable of supporting the weight of the luminaire before installation.
4. Due to the weight of the luminaire, multiple people may be necessary during TANDEM installation.
5. For WET locations, only AM endcap (pg. 6-11) and standard power feed (pg. 12) are permitted.

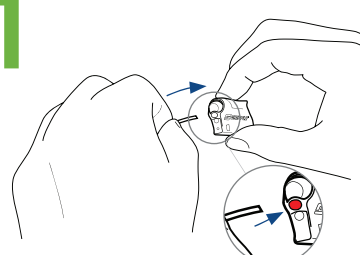
SAVE THESE INSTRUCTIONS FOR FUTURE REFERENCE





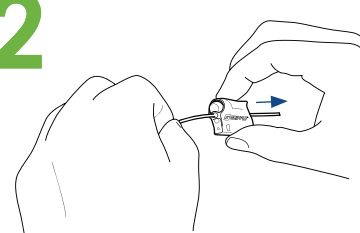
Fixture: **360P-x-x-x-x-HM**
Mounting: **2Pxx** hanger kit

1



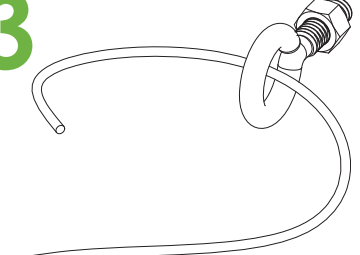
Insert the cable into the middle hole.

2



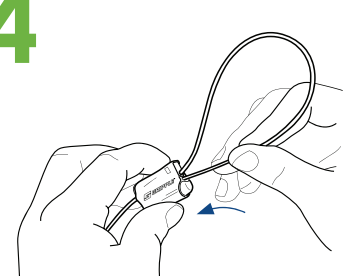
Slide the grip lock along the cable and loop through top mounting point .

3



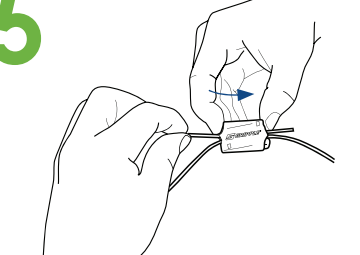
Loop cable around or through structural mounting points. Examples of mounting points: eye-bolts, ceiling trusses, I-beams, unistrut, etc.

4



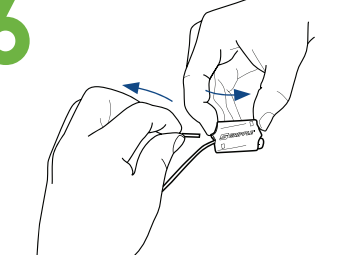
Insert cable into opposite-side middle hole to form a loop.

5



Release the load of the quick-lock and push the release button in the same direction of the wire entrance.

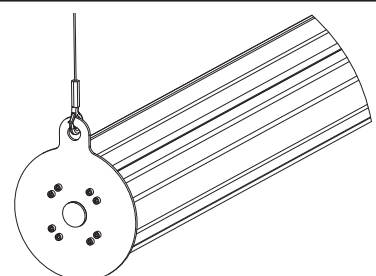
6



While the button is pressed, adjust the cable. When desired position is reached, release the button to lock.

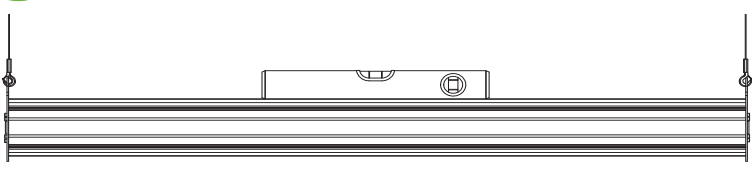
Never try to adjust the XP while load is still applied.

7



Snap hooks through mounting holes in endcaps.

8

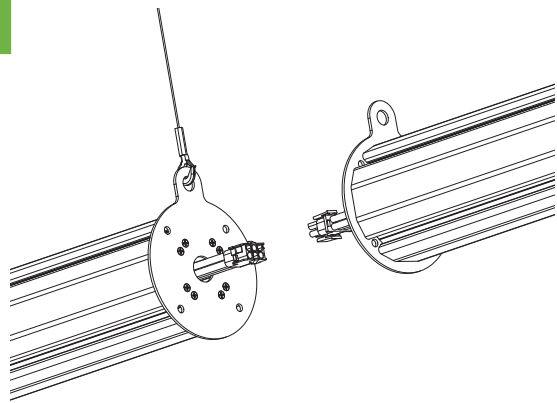


Ensure the fixture is level before proceeding to electrical connections.



Fixture: 360P-x-x-x-x-SM Mounting: Cable Tandem

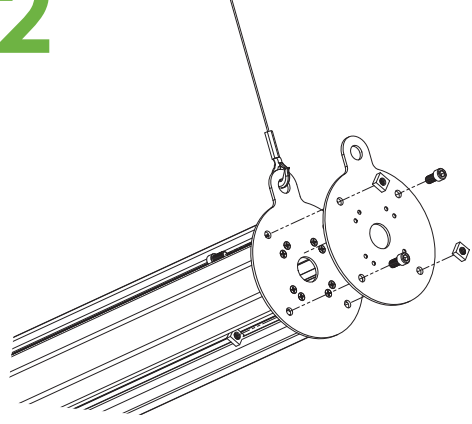
1



Fixtures will ship with pre-installed milled endcaps that allow for cable mounting fixtures in a tandem mount configuration.

Following steps 1-7 on page 2, mount the 1st fixture in each tandem run.

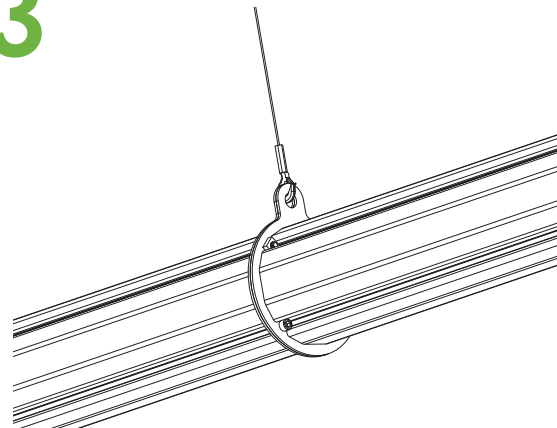
2



Before making electrical connections, mount the adjoining fixture and ensure it is level with the previous fixture.

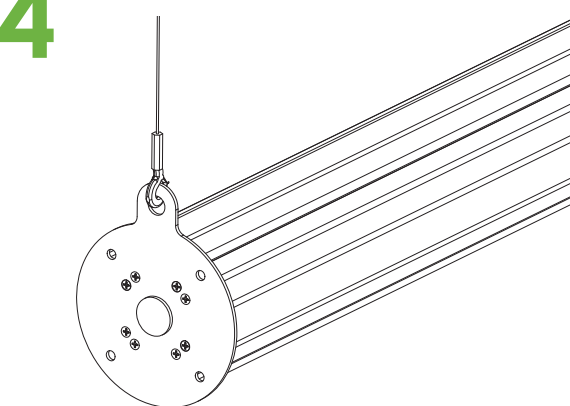
After both fixtures are level, complete the electrical connections between fixtures.

3



When electrical connection are complete, join tandem fixtures together using provided hardware.

4



While both endcaps at each joint have mounting holes for the cable mounts, only (1) cable length is needed per joint.

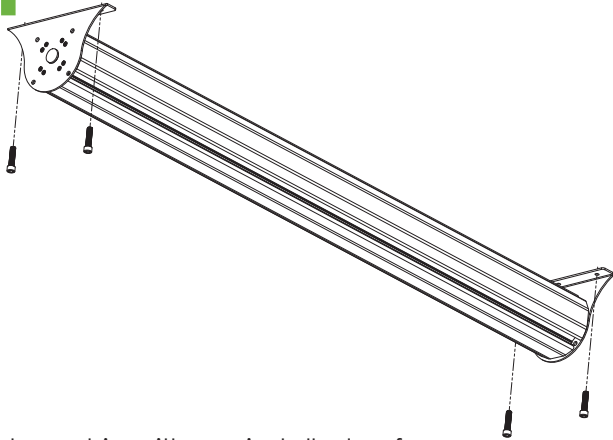
Continue installation as described in steps 1-3.





Fixture: **360P-x-x-x-x-SM**
Mounting: **Surface Mount** (bracket
only, hardware not provided)

1

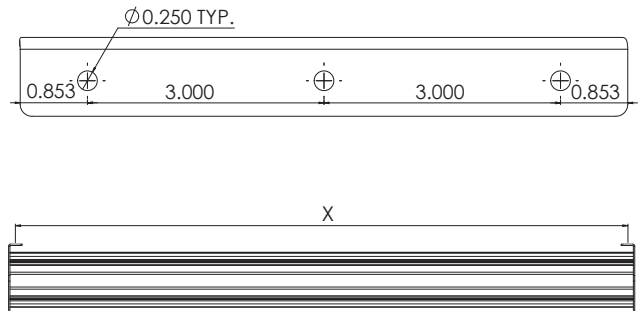


Fixtures ship with pre-installed surface mount brackets. Each endcap has (3) 1/4" mounting holes, see "2" for bracket hole pattern.

For "WB" power feed option, electrical connections are typically completed before mounting fixture, see pg. 12 for details.

2

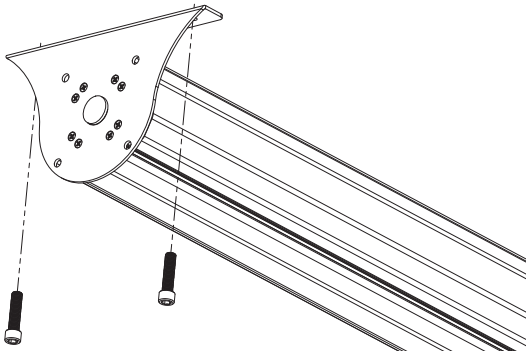
SM Bracket Hole Pattern



On-Center Spacing

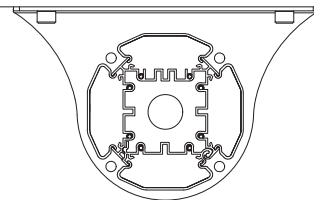
360P-2-X-X-X-SM: X = 22.038"
360P-4-X-X-X-SM: X = 45.100"
360P-8-X-X-X-SM: X = 91.100"

3



Mount bracket to structure or wall. Hardware to mount bracket to structure is not provided. Ensure mounting surface is able to support weight of fixture.

4



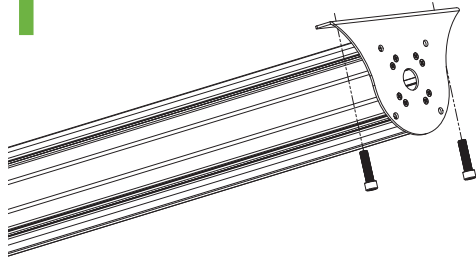
Ensure the fixture is firmly mounted with the brackets flush to mounting surface and all hardware flush to the mounting bracket.





Fixture: 360P-x-x-x-x-SM Mounting: Surface Tandem

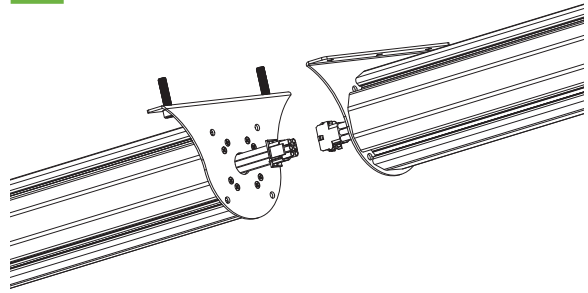
1



Fixtures ship with pre-installed tandem brackets that allow fixtures to be mounted to a ceiling, wall, or structure in tandem-mount configuration.

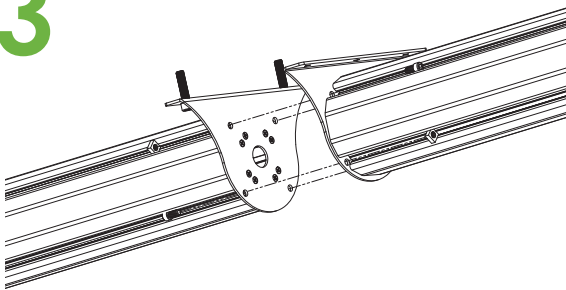
Using the hole pattern and dimensions shown in step 2 on page 4, mount the 1st fixture in a tandem run to the structure or wall. Hardware to mount bracket to structure is not provided. Ensure mounting surface is able to support the weight of the fixture.

2



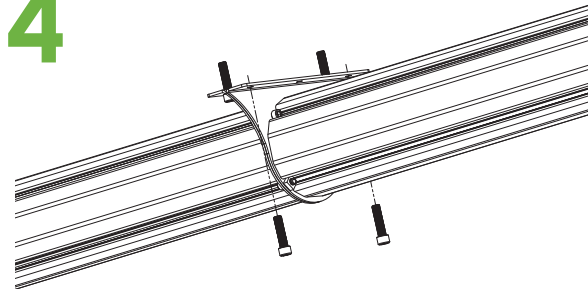
After mounting 1st fixture in tandem-mounted run, connect wiring between 2nd and 1st fixture.

3



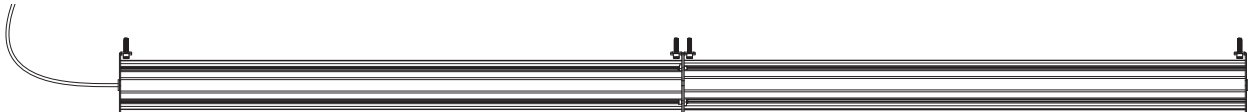
When electrical connections are complete between fixtures, secure the endcaps together using the provided hardware. Ensure other end of non-mounted fixture is supported until step 4 is complete.

4



Mount the attached fixture to the ceiling, wall, or structure following step 1.

4

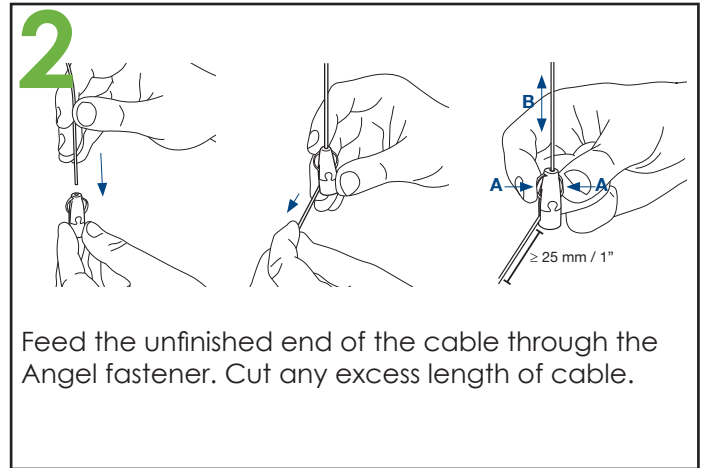
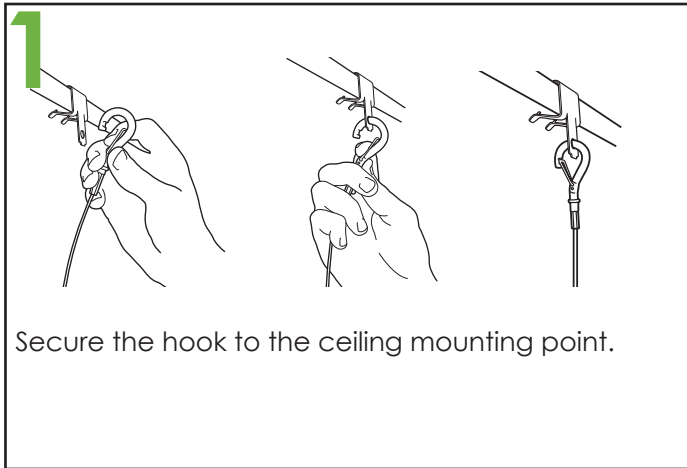


Continue steps 1-4 until each fixture run is complete. Ensure tandem fixtures are supported until mounted to ceiling, wall, or structure.

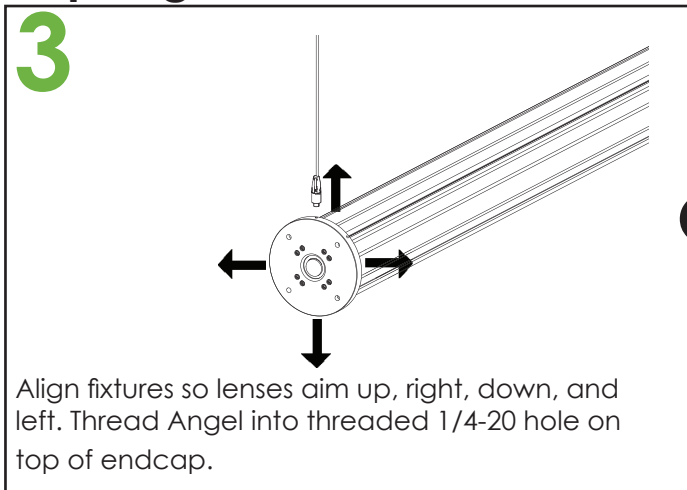




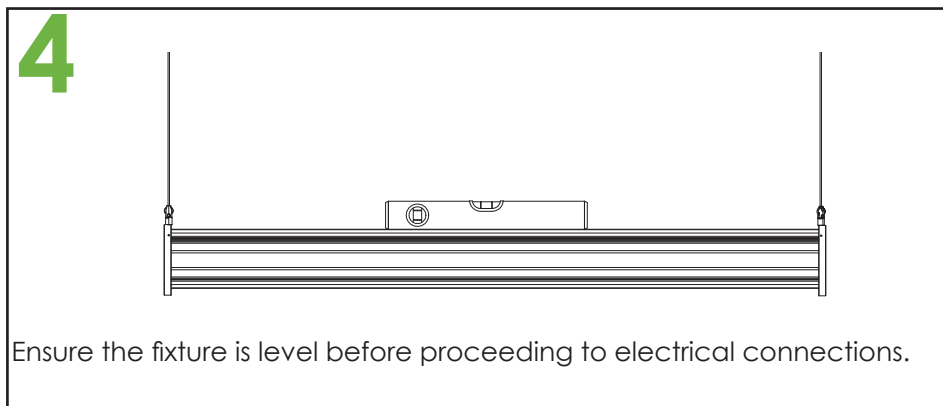
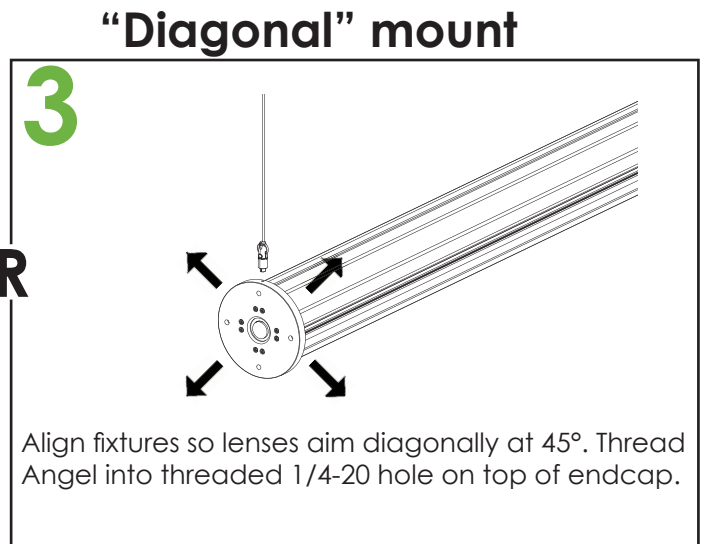
Fixture: **360P-x-x-x-x-AM**
Mounting: **2Pxx (with "Angel" fastener)**



"Up/Right/Down/Left" mount



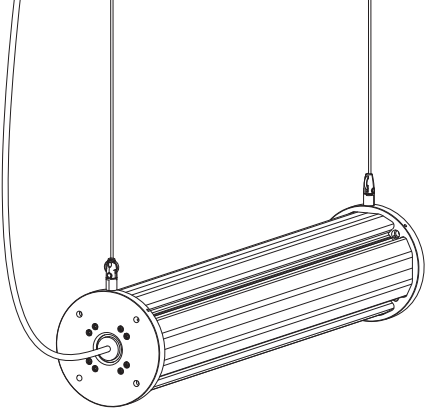
OR





Fixture: **360P-x-x-x-x-AM** Mounting: **Tandem**

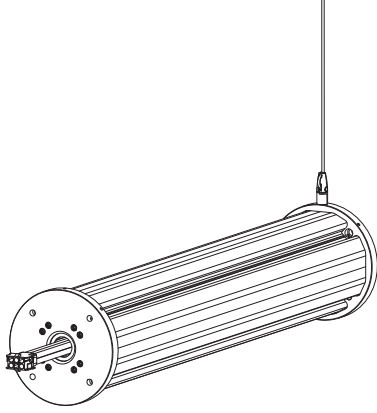
1



Fixtures will ship with pre-installed milled endcaps that allow for cable mounting fixtures in a tandem mount configuration.

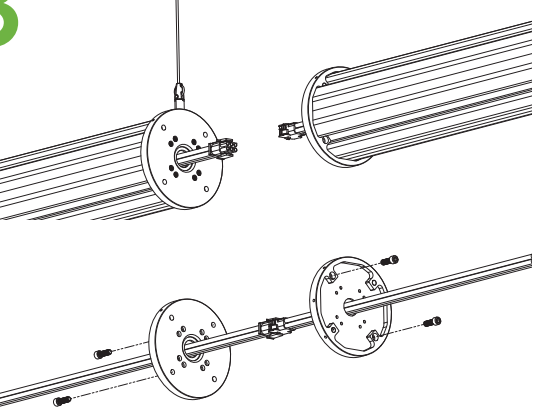
Following steps 1,2 and 3 on page 6, mount the 1st fixture in each tandem run.

2



Before making electrical connections, mount the far side of the adjoining fixture and ensure it is level with the previous fixture.

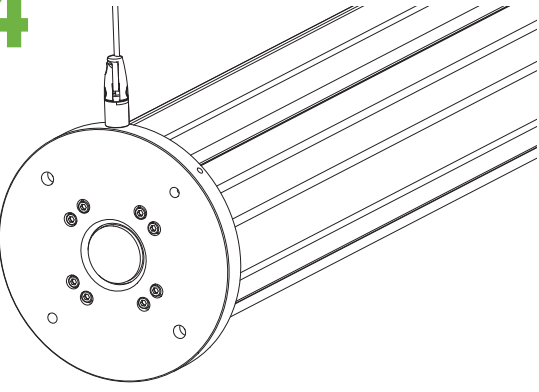
3



While supporting the side not yet mounted, complete the electrical connections between the fixtures.

After electrical connections are complete, fasten the two tandem fixtures using the provided (4) 1/4 - 20 x 0.75" bolts.

4



While both endcaps at each joint have threaded holes for the cable mounts, only (1) cable length is required per joint.

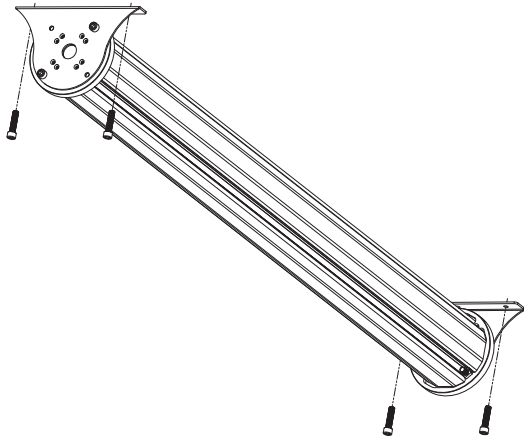
Continue installation as described in steps 1-3.





Fixture: **360P-x-x-x-x-AM**
Mounting: **Surface Mount** (bracket only, hardware not provided)

1

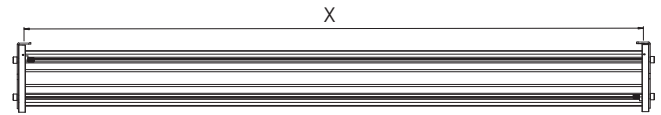
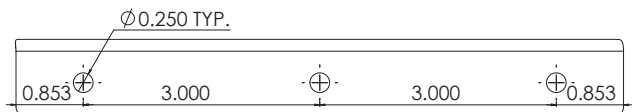


Fixtures ship with pre-installed surface mount brackets. Each endcap has (3) 1/4" mounting holes, see "2" for mounting hole pattern.

For "WB" power feed option, electrical connections are typically completed before mounting fixture, see pg. 10 for details.

2

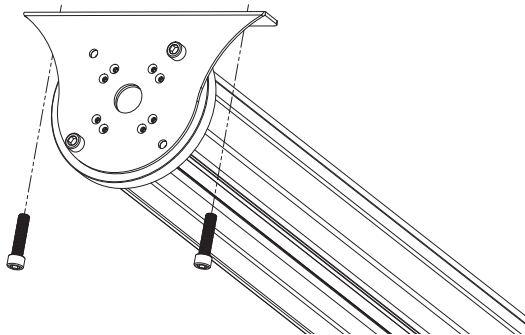
SM Bracket Hole Pattern



On-Center Spacing

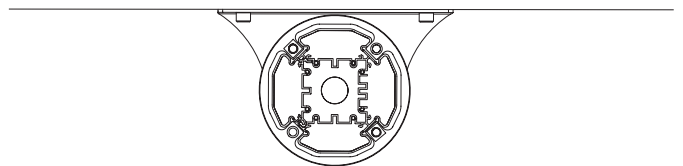
- 360P-2-X-X-X-AM-SM: X = 22.536"
- 360P-4-X-X-X-AM-SM: X = 45.600"
- 360P-8-X-X-X-AM-SM: X = 91.600"

3



Mount bracket to structure or wall. Hardware to mount bracket to structure is not provided. Ensure mounting surface is able to support weight of fixture.

4

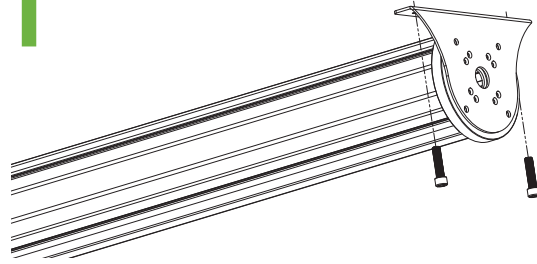


Ensure the fixture is firmly mounted with the brackets flush to mounting surface and all hardware flush to the mounting bracket.



Fixture: **360P-x-x-x-x-AM**
Mounting: **Surface Mount Tandem**
(bracket only, hardware not provided)

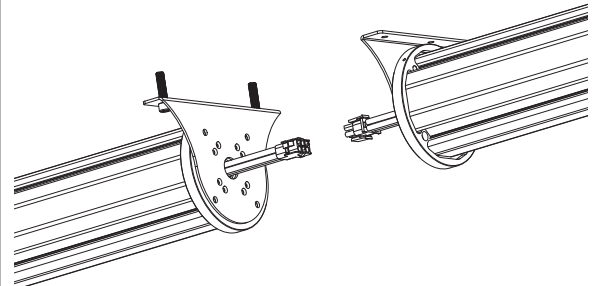
1



Fixtures ship with pre-installed tandem brackets that allow fixtures to be mounted to a ceiling, wall, or structure in tandem-mount configuration.

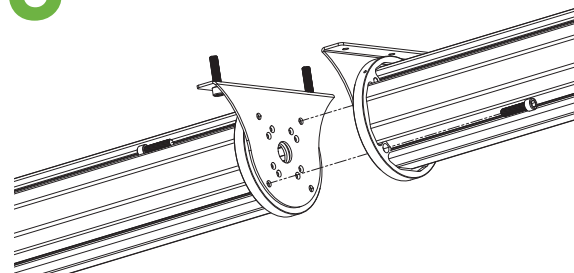
Using the hole pattern and dimensions shown in step 2 on page 8, mount the 1st fixture in a tandem run to the structure or wall. Hardware to mount bracket to structure is not provided. Ensure mounting surface is able to support the weight of the fixture.

2



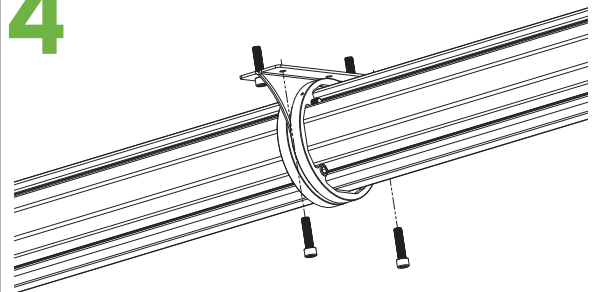
After mounting 1st fixture in tandem-mounted run, connect wiring between 2nd and 1st fixture.

3



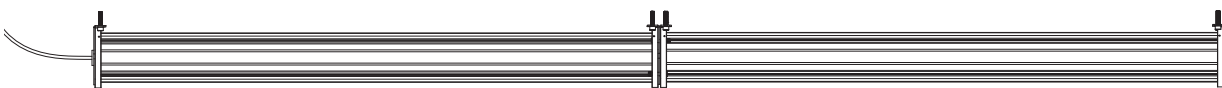
When electrical connections are complete between fixtures, secure the endcaps together using the provided hardware. Ensure other end of non-mounted fixture is supported until step 4 is complete.

4



Mount the attached fixture to the ceiling, wall, or structure following step 1.

4



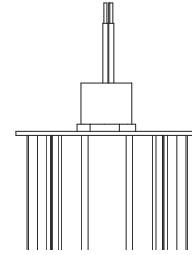
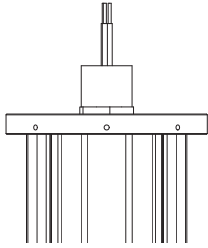
Continue steps 1-4 until each fixture run is complete. Ensure tandem fixtures are supported until mounted to ceiling, wall, or structure.





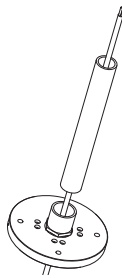
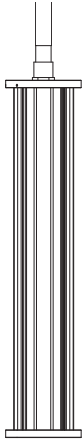
Fixture: **360P-x-x-x-x-VS/AM**
Mounting: **MH1** (Stem not included)

1



Fixture will ship with 3/4" NPT female adapter (Myer's Hub) attached to endcap with cord exiting from the hub.

2



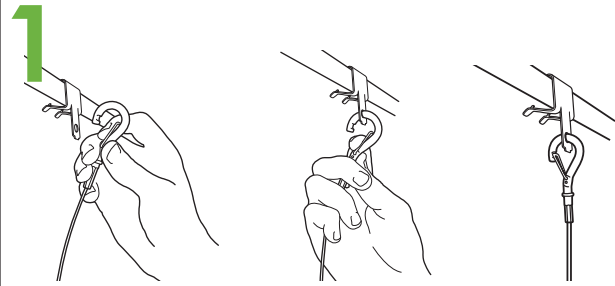
Thread the cord through conduit stem, then attach the fixture/Myer's Hub assembly onto the stem.

Electrical connections at junction box may be completed before steam is secure. Ensure fixture is level after all mechanical connections are made.

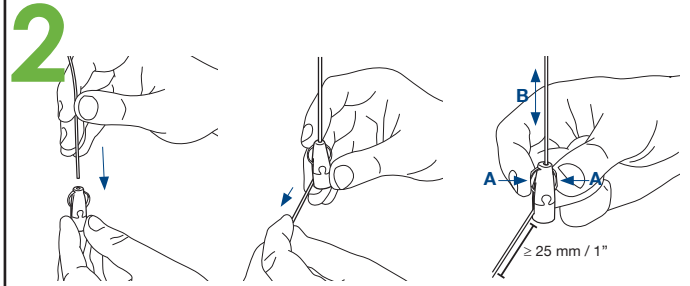




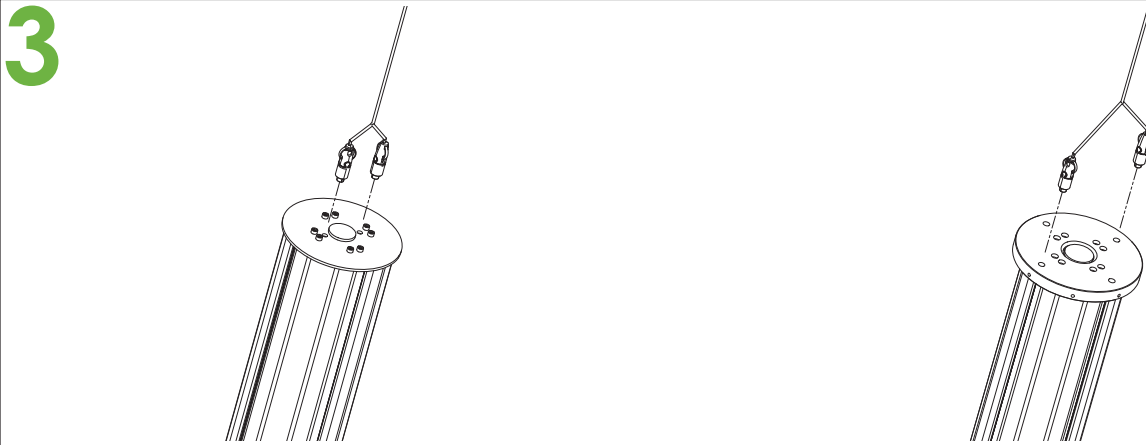
Fixture: **360P-x-x-x-x-VS/AM**
Mounting: **2PxxV** hanger kit



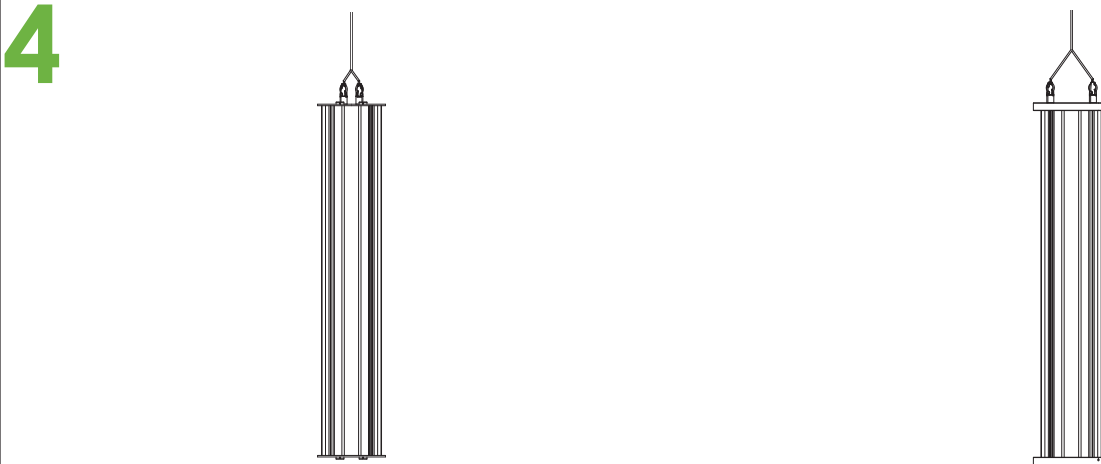
Secure the hook to the ceiling mounting point.



Feed the unfinished end of the cable through the Angel fastener. Cut any excess length of cable.



Thread the cable hangers into the (2) 1/4-20 threaded holes in the endcap.



Ensure fixture is level, then move onto electrical connections.

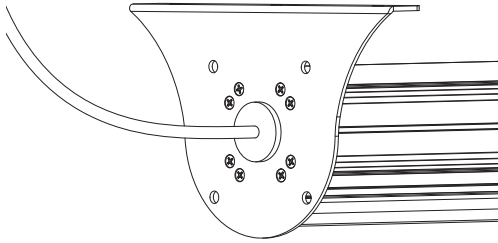




To Install: Electrical Connections

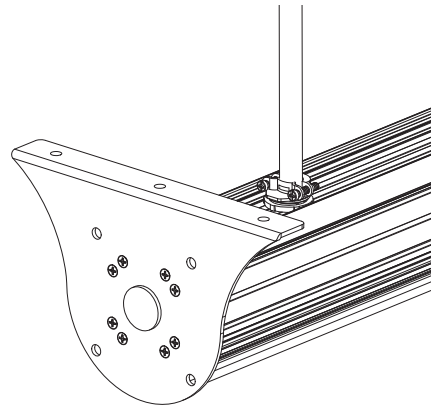
Standard Power Feed

Power cord fed through endcap

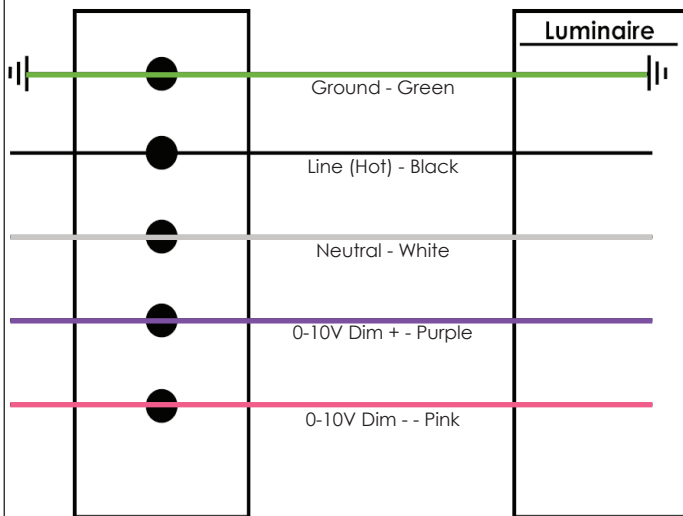


WB Power Feed

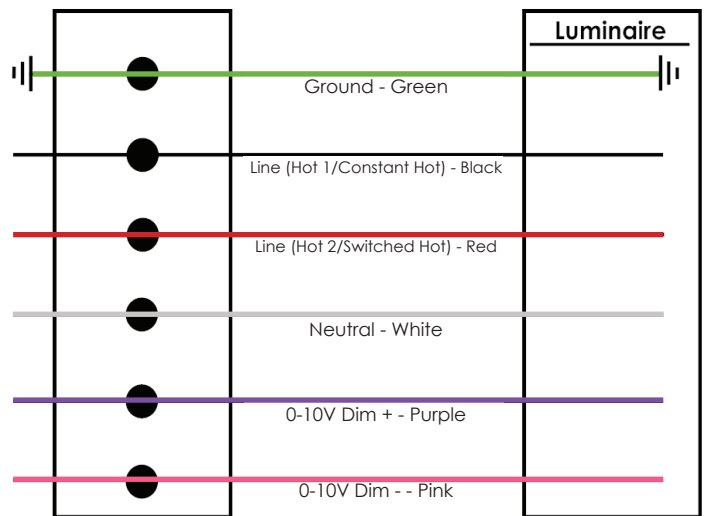
Power cord fed through machined hole in electronics channel



For 5-Conductor Installations



For 6-Conductor Installations



Make the Following Electrical Connections:

- Connect the green ground lead to the green position of the terminal block.
- Connect the black fixture lead to the voltage supply position or Hot 1 (for 208/240V wiring).
- For 6 conductor installations, connect the red fixture lead to the voltage supply position or Hot 2 (for multiple-switch installations).
- Connect the white fixture lead to the neutral supply position or Hot 2 (for 208/240V wiring).
- Connect the purple* dimming positive lead to the supply dimming positive lead.
- Connect the pink* dimming negative lead to the supply dimming negative lead.

*Note: Some 5-conductor cords may have red and blue dimming wires (positive and negative respectively).

