

Extruded aluminum architectural and task lighting LED luminaire for use in applications including, but not limited to airports, industrial and task lighting, and educational and office spaces.



## Performance

- Lumen output: **Up to 3,200 lumens per foot**
- Efficacy: **Up to 163 Lumens per Watt**
- L<sub>70</sub> (per TM-21): **60,000 Hours**
- L<sub>70</sub> (calculated): **102,000 Hours**
- Ambient Temp. Rating: **-40°F to 113°F (-40°C to 45°C)**  
Ambient temperature ratings vary with option/adders
- Surge Protection: **6kV**
- Driver ratings: **120-277V input, 0-10V Dimming (1% min. optional)**  
**347-480V input, 0-10V Dimming (1% min. optional)**

## Construction

- Fixture body made from extruded 6463 aluminum
- Stainless-steel hardware
- Bright dip anodized fixture body

## Optics

- Wide 120° beam angle LEDs (not including lens)
- Optional narrow optic for aisle and racking applications
- Acrylic diffusing lens available in frosted and clear material

## Applications

- Office/Commercial
- Education
- Industrial/Task
- Inspection

## Installation

- Aircraft cable suspension
- Surface mounting
- For special requests, contact factory

## Listing and Ratings

- UL 1598 for Dry and Damp Locations
- ARRA/BAA Compliant (Made in America)
- DLC Listed

## Warranty

- 10-Year Warranty on fixture body
- 5-Year Warranty on electronics
- For special requests, contact factory



BASE	4	835	U10
Delivered lumens with 3500K color / WA lens		Other driver options available. Consult factory.	
Series	Length	CRI / CCT	Voltage and Dimming
<b>BASE</b>	<b>2</b>   5,556lm <b>4</b>   10,967lm <b>8</b>   21,934lm	<b>850</b> 80CRI   5000K <b>840</b> 80CRI   4000K <b>835</b> 80CRI   3500K	<b>U10</b> 120-277V   0-10V dimming   10% min. <b>U1</b> 120-277V   0-10V dimming   1% min. <b>H10</b> 347-480V   0-10V dimming   10% min. <b>H1</b> 347-480V   0-10V dimming   1% min.

Some CRI, CCT and other output variations may affect DLC listing; contact LUX for further information.

## Options and Accessories

### Endcap

- HM** Hanger mount
- SM** Surface mount
- Standard powdercoat white

### Lensing

- CA** Clear acrylic diffuse lens
- WA** White acrylic diffuse lens (standard)

### Narrow Optic

- (leave blank)** Standard wide
- N** Narrow optic

Narrow optic may be used with or without lens. If using without lens, please leave lensing option blank.

### Lumen/Wattage Output

- CFO** Custom fixture output (specify custom lumen output)

### Emergency

- Exx** 10-watt and 15-watt integral batteries available, contact LUX for options

### Mounting

- 2Pxx** 2-Point aircraft suspension - hook ends (galvanized)
- SM** Surface mount, no additional hardware

### Cord

- (leave blank)** No cord provided
- 3/10** 3-wire, 10' cord | Standard white
- 4/10** 4-wire, 10' cord | Standard white
- 5/10** 5-wire, 10' cord | Standard white
- 6/10** 6-wire, 10' cord | Standard white

Standard 1/2" knockout provided in endcap for cord installation  
 1<sup>st</sup> digit: Number of wires, including ground. Available from 3 through 6.  
 2<sup>nd</sup> digit: Overall length, including strips. Available from 10' through 30'.  
 Through wiring available, contact factory

### Controls

- OC-KO** Knockout mounted on/off occupancy sensor (120-277V input)
- Wireless Controls** Multiple wireless control systems available. Contact Factory for options and details

Lens	
Standard/Nominal = WA Lens	
Lumen Multipliers Compared to "Nominal"	
CA	111.4%
WA (nominal)	100.0%

CCT	
Standard/Nominal = 3500K CCT	
Lumen Multipliers Compared to "Nominal"	
5000K	102.0%
4000K	103.3%
3500K (nominal)	100.0%

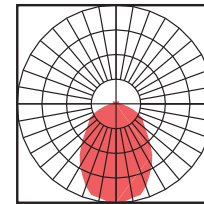
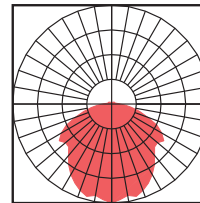
Narrow Optic	
Standard/Nominal = no "N" optic (Wide)	
Lumen Multiplier Compared to "Nominal"	
N	99.2%

### NRW + Lens (N + CA or WA)

Achieved using our narrow optic underneath any of our standard lenses

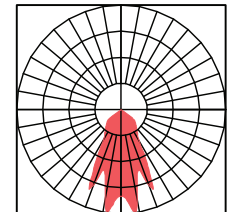
### Lensed (CA or WA)

Achieved using any of our standard lenses

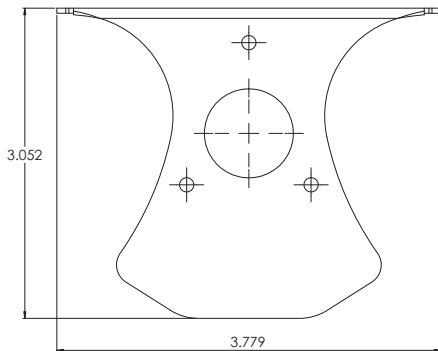


### NRW Optic Only (N)

Achieved using our narrow optic only, no lens included

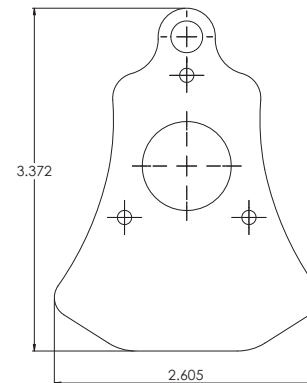


## Endcap Option Details



Surface Mount

Surface mount endcap (surface-mounting hardware provided by others)



Hanger Mount

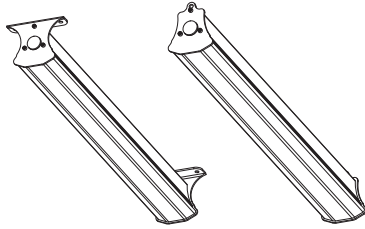
2Pxx: Aircraft cable mounting with snap hooks (xx denotes cable length)

## Technical Specifications

### Part #

**BASE-2-850 (for 5000K), BASE-2-840 (for 4000K) or BASE-2-835 (for 3500K)**

- 23.14"L x 3.75"W x 3.34"H
- Weight: 3 LBS



BASE-2-835				
	Lens Option	Delivered Lumens	Wattage	Efficacy
3500K	BASE-2-835-U10-xx-CA	6,190	39.91	155
	BASE-2-835-U10-xx-WA	5,556	39.91	139

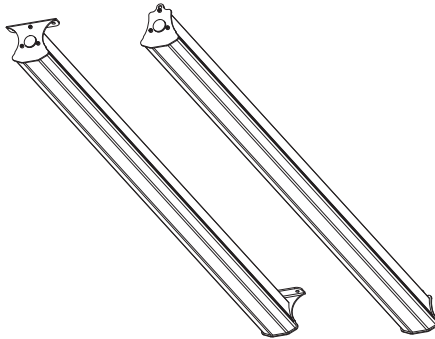
BASE-2-840				
	Lens Option	Delivered Lumens	Wattage	Efficacy
4000K	BASE-2-840-U10-xx-CA	6,397	39.91	160
	BASE-2-840-U10-xx-WA	5,742	39.91	144

BASE-2-850				
	Lens Option	Delivered Lumens	Wattage	Efficacy
5000K	BASE-2-850-U10-xx-CA	6,312	39.91	158
	BASE-2-850-U10-xx-WA	5,665	39.91	142

### Part #

**BASE-4-850 (FOR 5000K), BASE-4-840 (for 4000K) or BASE-4-835 (for 3500K)**

- 46.20"L x 3.75"W x 3.34"H
- Weight: 6 LBS



BASE-4-835				
	Lens Option	Delivered Lumens	Wattage	Efficacy
3500K	BASE-4-835-U10-xx-CA	12,218	77.62	157
	BASE-4-835-U10-xx-WA	10,967	77.62	141

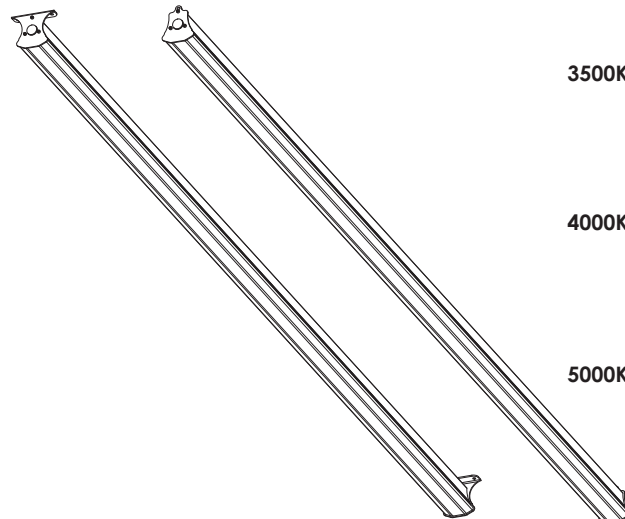
BASE-4-840				
	Lens Option	Delivered Lumens	Wattage	Efficacy
4000K	BASE-4-840-U10-xx-CA	12,627	77.62	163
	BASE-4-840-U10-xx-WA	11,334	77.62	146

BASE-4-850				
	Lens Option	Delivered Lumens	Wattage	Efficacy
5000K	BASE-4-850-U10-xx-CA	12,459	77.62	161
	BASE-4-850-U10-xx-WA	11,183	77.62	144

### Part #

**BASE-8-850 (for 5000K), BASE-8-840 (for 4000K) or BASE-8-835 (for 3500K)**

- 91.20"L x 3.75"W x 3.34"H
- Weight: 11 LBS



BASE-8-835				
	Lens Option	Delivered Lumens	Wattage	Efficacy
3500K	BASE-8-835-U10-xx-CA	24,436	155.24	157
	BASE-8-835-U10-xx-WA	21,934	155.24	141

BASE-8-840				
	Lens Option	Delivered Lumens	Wattage	Efficacy
4000K	BASE-8-840-U10-xx-CA	25,254	155.24	163
	BASE-8-840-U10-xx-WA	22,668	155.24	146

BASE-8-850				
	Lens Option	Delivered Lumens	Wattage	Efficacy
5000K	BASE-8-850-U10-xx-CA	24,917	155.24	161
	BASE-8-850-U10-xx-WA	22,366	155.24	144