

LUX[™]. BRITEline

LUX[™]
dynamics

Extruded aluminum architectural and task lighting LED luminaire for use in applications including, but not limited to airports, industrial and task lighting, and educational and office spaces.



Performance

- Lumen output: **Up to 4,600 lumens per foot**
- Efficacy: **Up to 156 Lumens per Watt**
- L₇₀ (per TM-21): **60,000 Hours**
- L₇₀ (calculated): **102,000 Hours**
- Ambient Temp. Rating: **-40°F to 113°F (-40°C to 45°C)**
Ambient temperature ratings vary with option/adders
- Surge Protection: **6kV**
- Driver ratings: **120-277V input, 0-10V Dimming (1% min. optional)**
347-480V input, 0-10V Dimming (1% min. optional)

Construction

- Fixture body made from extruded 6463 aluminum
- Stainless-steel hardware
- Bright dip anodized fixture body

Optics

- Wide 120° beam angle LEDs (not including lens)
- Optional narrow optic for aisle and racking applications
- Acrylic diffusing lens available in frosted and clear material

Applications

- Office/Commercial
- Education
- Industrial/Task
- Inspection

Installation

- Aircraft cable suspension
- Surface mounting
- For special requests, contact factory

Listing and Ratings

- UL 1598 for Dry and Damp Locations
- ARRA/BAA Compliant (Made in America)
- DLC Listed

Warranty

- 10-Year Warranty on fixture body
- 5-Year Warranty on electronics
- For special requests, contact factory



BRITE		4		835		U10	
Delivered lumens with 3500K color / WA lens				Other driver options available. Consult factory.			
Series	Length		CRI / CCT		Voltage and Dimming		
BRITE	2	8,030lm	850	80CRI 5000K	U10	120-277V	0-10V dimming 10% min.
	4	15,628lm	840	80CRI 4000K	U1	120-277V	0-10V dimming 1% min.
	8	31,256lm	835	80CRI 3500K	H10	347-480V	0-10V dimming 10% min.
					H1	347-480V	0-10V dimming 1% min.

Some CRI, CCT and other output variations may affect DLC listing; contact LUX for further information.

Options and Accessories

Endcap

- HM** Hanger mount
 - SM** Surface mount
- Standard powdercoat white

Lensing

- CA** Clear acrylic diffuse lens
- WA** White acrylic diffuse lens (standard)

Narrow Optic

- (leave blank)** Standard wide
- N** Narrow optic

Narrow optic may be used with or without lens. If using without lens, please leave lensing option blank.

Lumen/Wattage Output

- CFO** Custom fixture output (specify custom lumen output)

Emergency

- ExxR** 20-watt and 30-watt remote batteries available, contact LUX for options

Mounting

- 2Pxx** 2-Point aircraft suspension - hook ends (galvanized)
- SM** Surface mount, no additional hardware

Cord

- (leave blank)** No cord provided
- 3/10** 3-wire, 10' cord | Standard white
- 4/10** 4-wire, 10' cord | Standard white
- 5/10** 5-wire, 10' cord | Standard white
- 6/10** 6-wire, 10' cord | Standard white

Standard 1/2" knockout provided in endcap for cord installation
 1st digit: Number of wires, including ground. Available from 3 through 6.
 2nd digit: Overall length, including strips. Available from 10' through 30'.
 Through wiring available, contact factory

Controls

- OC-KO** Knockout mounted on/off occupancy sensor (120-277V input)
- Wireless Controls** Multiple wireless control systems available. Contact Factory for options and details

Lens	
Standard/Nominal = WA Lens	
Lumen Multipliers Compared to "Nominal"	
CA	111.4%
WA (nominal)	100.0%

CCT	
Standard/Nominal = 3500K CCT	
Lumen Multipliers Compared to "Nominal"	
5000K	102.0%
4000K	103.3%
3500K (nominal)	100.0%

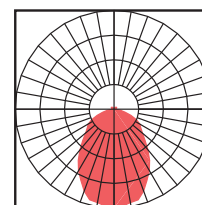
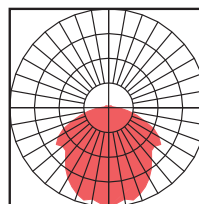
Narrow Optic	
Standard/Nominal = no "N" optic (Wide)	
Lumen Multiplier Compared to "Nominal"	
N	99.2%

NRW + Lens (N + CA or WA)

Achieved using our narrow optic underneath any of our standard lenses

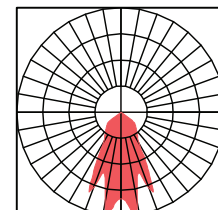
Lensed (CA or WA)

Achieved using any of our standard lenses

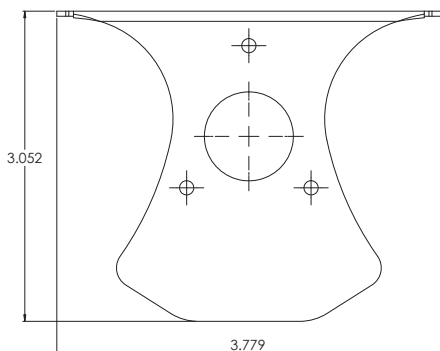


NRW Optic Only (N)

Achieved using our narrow optic only, no lens included

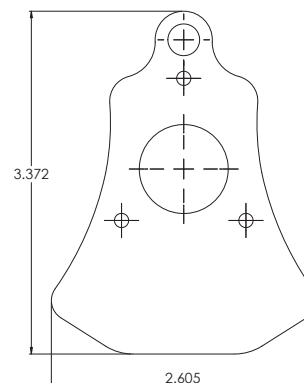


Endcap Option Details



Surface Mount

Surface mount endcap (surface-mounting hardware provided by others)



Hanger Mount

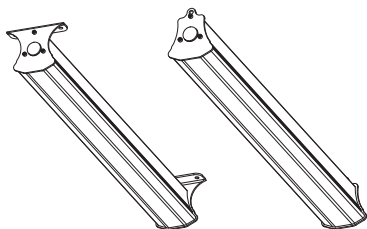
2Pxx: Aircraft cable mounting with snap hooks (xx denotes cable length)

Technical Specifications

Part

BRITE-2-850 (for 5000K), BRITE-2-840 (for 4000K) or BRITE-2-835 (for 3500K)

- 23.14"L x 3.75"W x 3.34"H
- Weight: 3 LBS



BRITE-2-835			
Lens Option	Delivered Lumens	Wattage	Efficacy
BRITE-2-835-U10-xx-CA	8,946	59.16	151
BRITE-2-835-U10-xx-WA	8,030	59.16	136

3500K

BRITE-2-840			
Lens Option	Delivered Lumens	Wattage	Efficacy
BRITE-2-840-U10-xx-CA	9,245	59.16	156
BRITE-2-840-U10-xx-WA	8,299	59.16	140

4000K

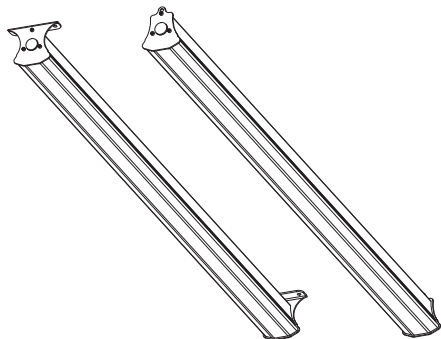
BRITE-2-850			
Lens Option	Delivered Lumens	Wattage	Efficacy
BRITE-2-850-U10-xx-CA	9,122	59.16	154
BRITE-2-850-U10-xx-WA	8,188	59.16	138

5000K

Part

BRITE-4-850 (for 5000K), BRITE-4-840 (for 4000K) or BRITE-4-835 (for 3500K)

- 46.20"L x 3.75"W x 3.34"H
- Weight: 6 LBS



BRITE-4-835			
Lens Option	Delivered Lumens	Wattage	Efficacy
BRITE-4-835-U10-xx-CA	17,411	118.36	147
BRITE-4-835-U10-xx-WA	15,628	118.36	132

3500K

BRITE-4-840			
Lens Option	Delivered Lumens	Wattage	Efficacy
BRITE-4-840-U10-xx-CA	17,993	118.36	152
BRITE-4-840-U10-xx-WA	16,151	118.36	136

4000K

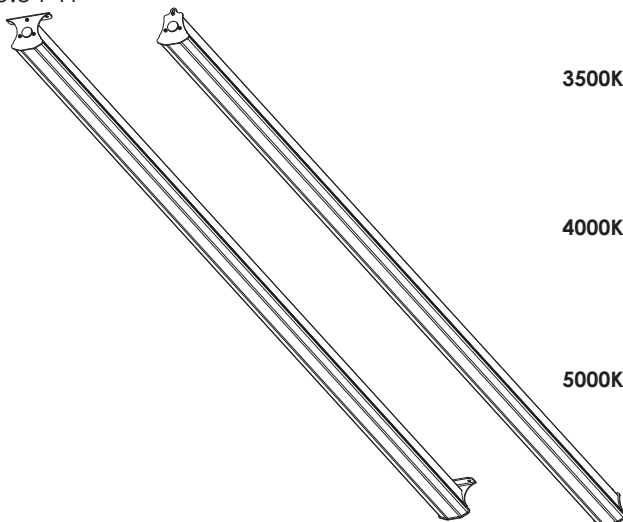
BRITE-4-850			
Lens Option	Delivered Lumens	Wattage	Efficacy
BRITE-4-850-U10-xx-CA	17,754	118.36	150
BRITE-4-850-U10-xx-WA	15,936	118.36	135

5000K

Part

BRITE-8-850 (for 5000K), BRITE-8-840 (for 4000K) or BRITE-8-835 (for 3500K)

- 91.20"L x 3.75"W x 3.34"H
- Weight: 11 LBS



BRITE-8-835			
Lens Option	Delivered Lumens	Wattage	Efficacy
BRITE-8-835-U10-xx-CA	34,821	236.72	147
BRITE-8-835-U10-xx-WA	31,256	236.72	132

3500K

BRITE-8-840			
Lens Option	Delivered Lumens	Wattage	Efficacy
BRITE-8-840-U10-xx-CA	35,987	236.72	152
BRITE-8-840-U10-xx-WA	32,302	236.72	136

4000K

BRITE-8-850			
Lens Option	Delivered Lumens	Wattage	Efficacy
BRITE-8-850-U10-xx-CA	35,507	236.72	150
BRITE-8-850-U10-xx-WA	31,872	236.72	135

5000K