



Installation Instructions

IMPORTANT SAFEGUARDS

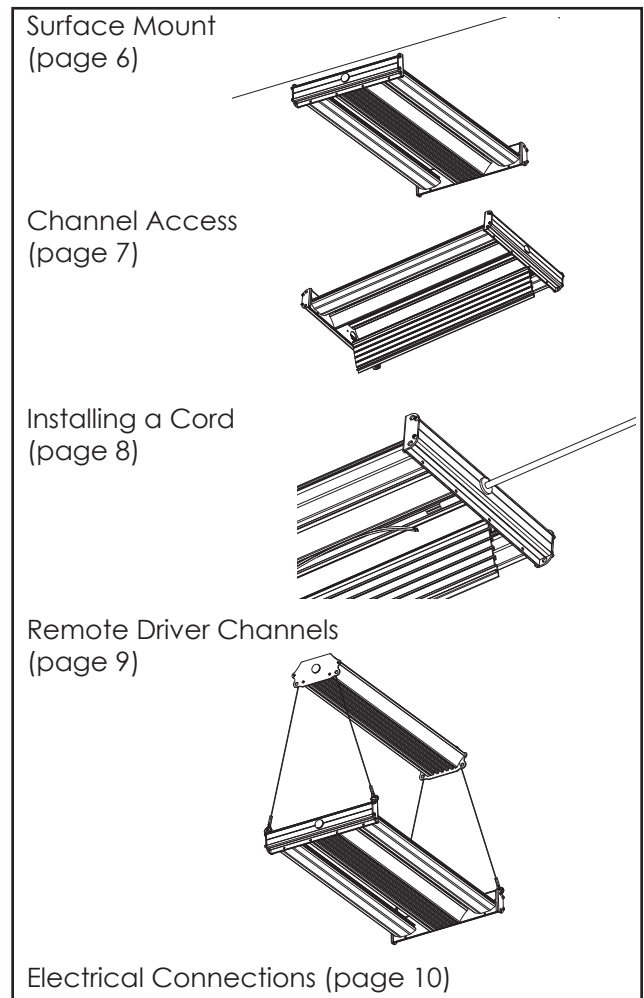
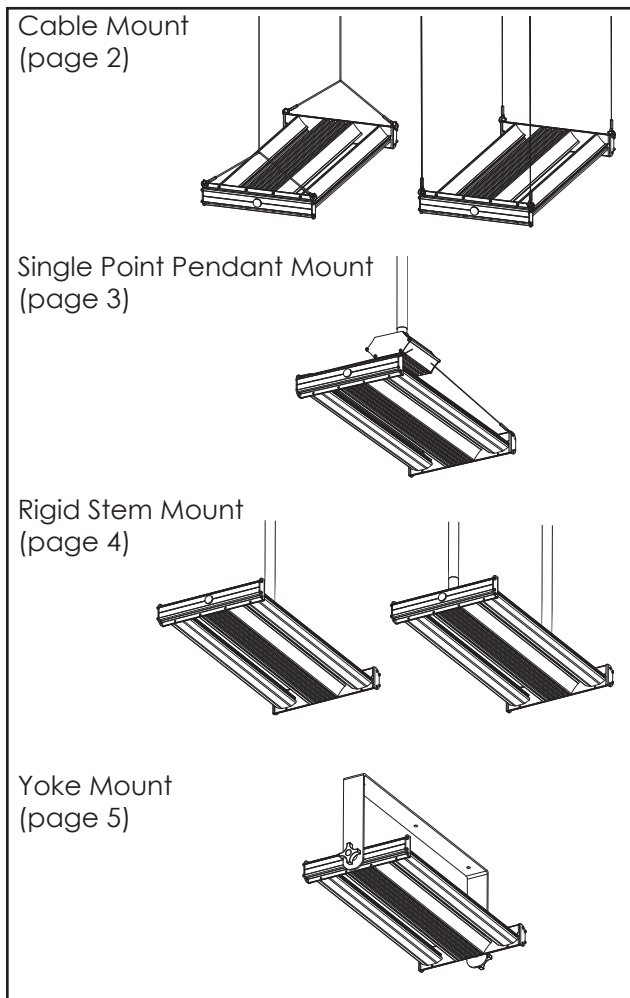
When using electrical equipment, the following safety precautions should always be taken:

READ AND FOLLOW ALL SAFETY INSTRUCTIONS BEFORE INSTALLATION

1. To avoid the possibility of electrical shock, turn off power supply before installation or servicing.
2. Product must be installed in accordance with NEC and your local electrical code. If you are not familiar with these codes and requirements, consult a qualified electrician.
3. Ensure the mounting surface is capable of supporting the weight of the luminaire before installation.
4. Due to the weight of the luminaire, as many as 3 people may be necessary during TANDEM installation.
5. For wet locations, sealant between Myers Hub and electronics channel is required.

SAVE THESE INSTRUCTIONS FOR FUTURE REFERENCE

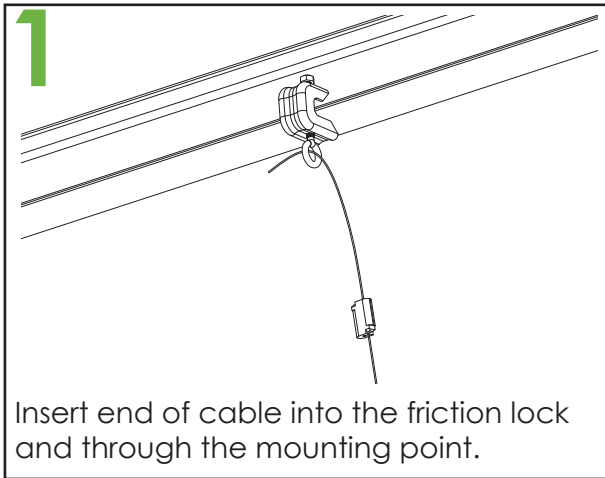
Document Contents



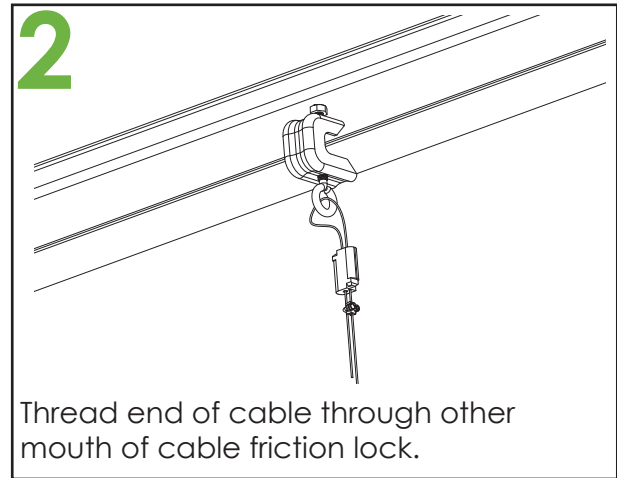


To Install: Cable Mounting

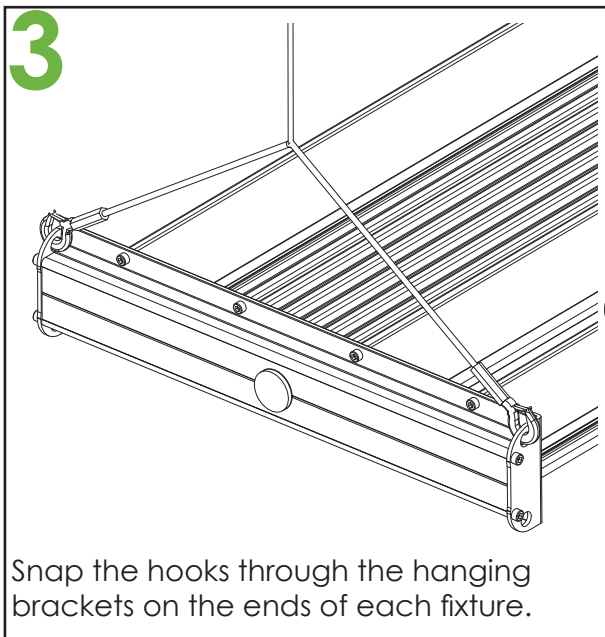
For use with options: **XXY**
4PXX, 4PXXS



1
Insert end of cable into the friction lock and through the mounting point.

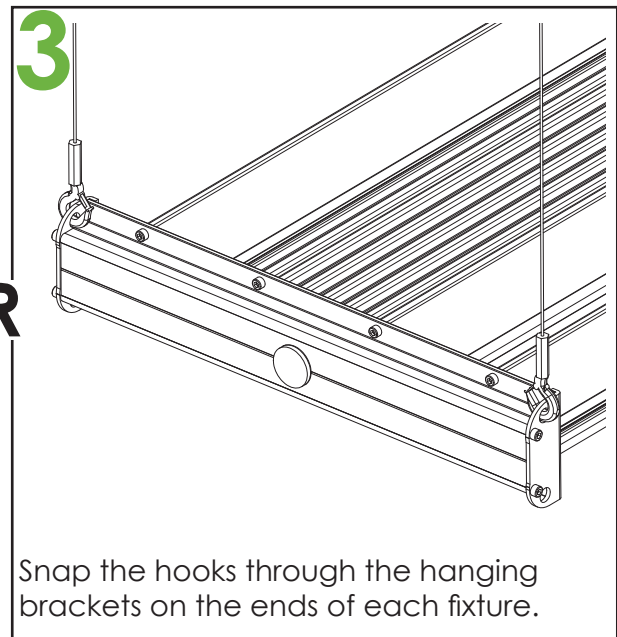


2
Thread end of cable through other mouth of cable friction lock.

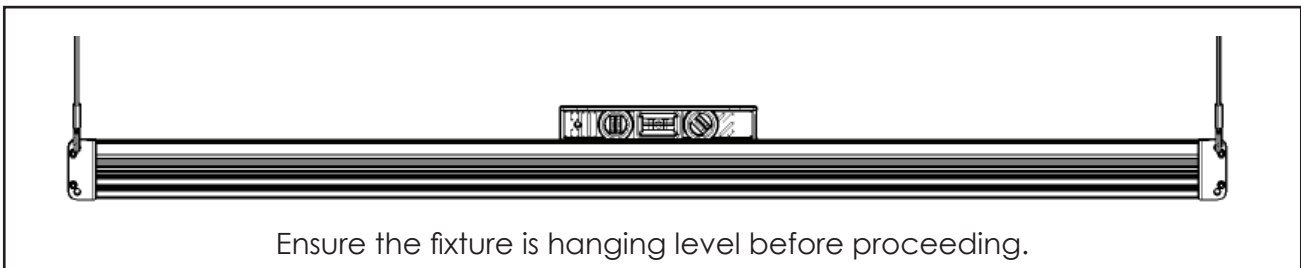


3
Snap the hooks through the hanging brackets on the ends of each fixture.

OR



3
Snap the hooks through the hanging brackets on the ends of each fixture.



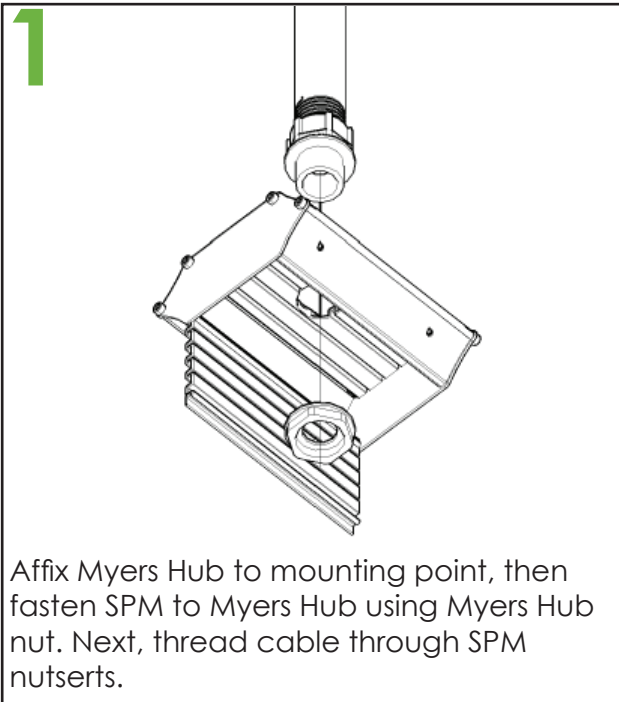
Ensure the fixture is hanging level before proceeding.



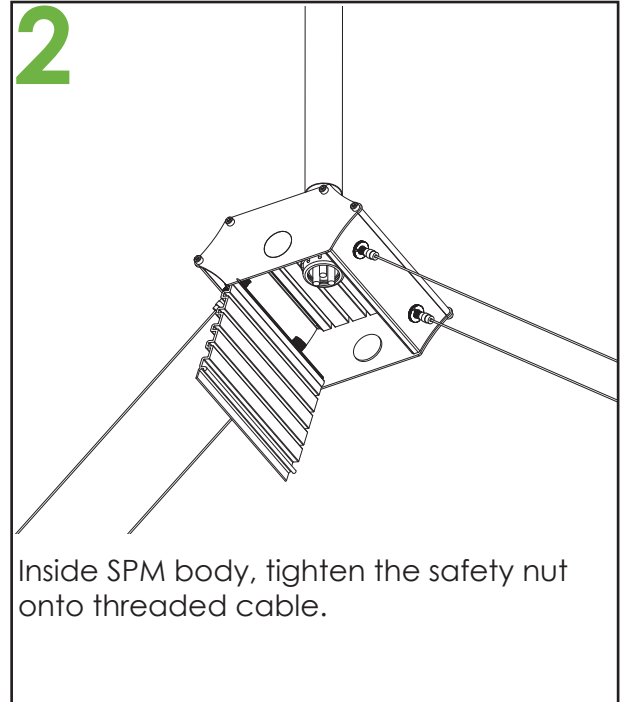


To Install: **Single Point Pendant Mount**

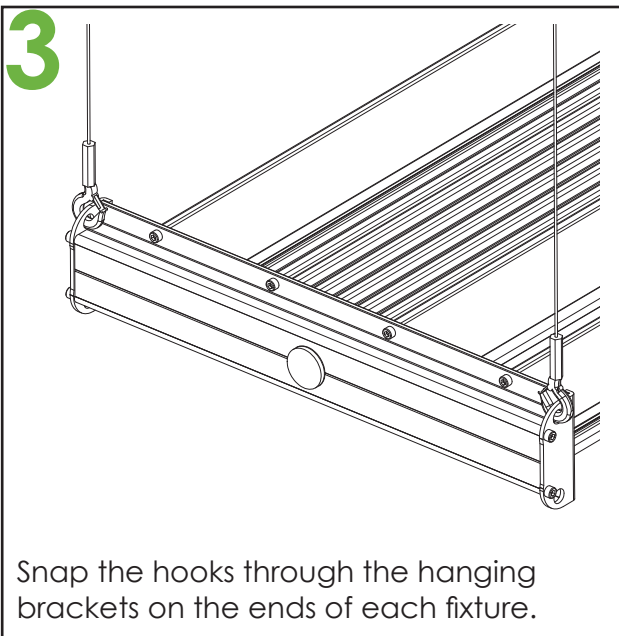
For use with options: **SPM**



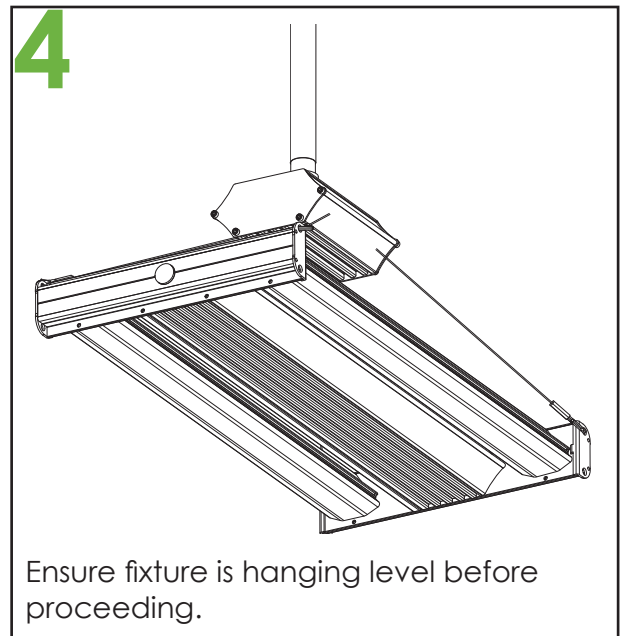
Affix Myers Hub to mounting point, then fasten SPM to Myers Hub using Myers Hub nut. Next, thread cable through SPM nuts.



Inside SPM body, tighten the safety nut onto threaded cable.



Snap the hooks through the hanging brackets on the ends of each fixture.



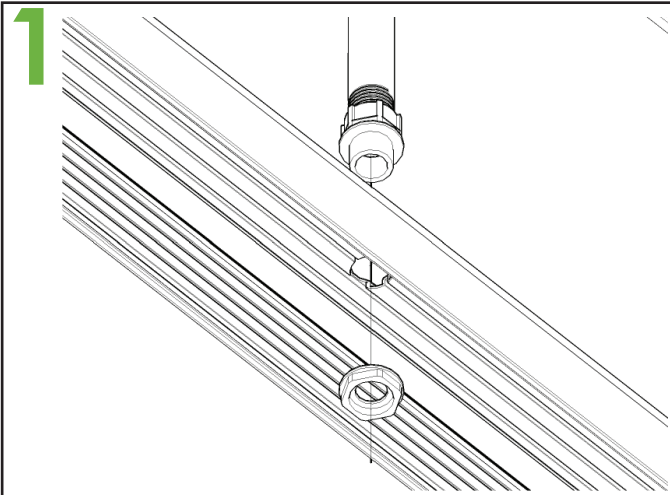
Ensure fixture is hanging level before proceeding.



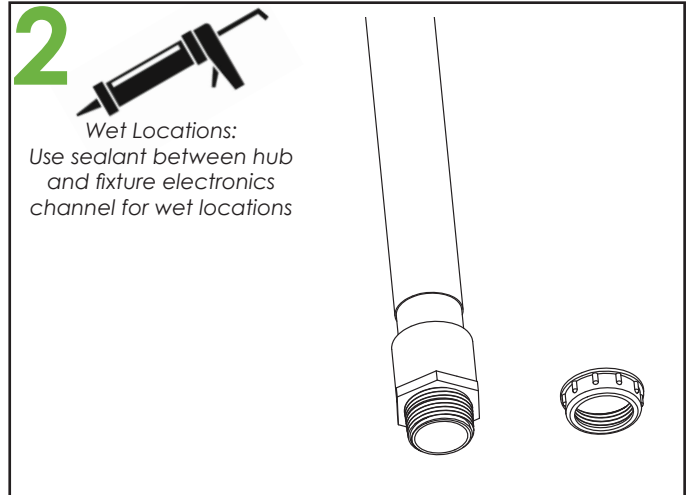


To Install: **Rigid Stem Mount**

For use with options: **MH1, MH1S, MH2, MH2S**

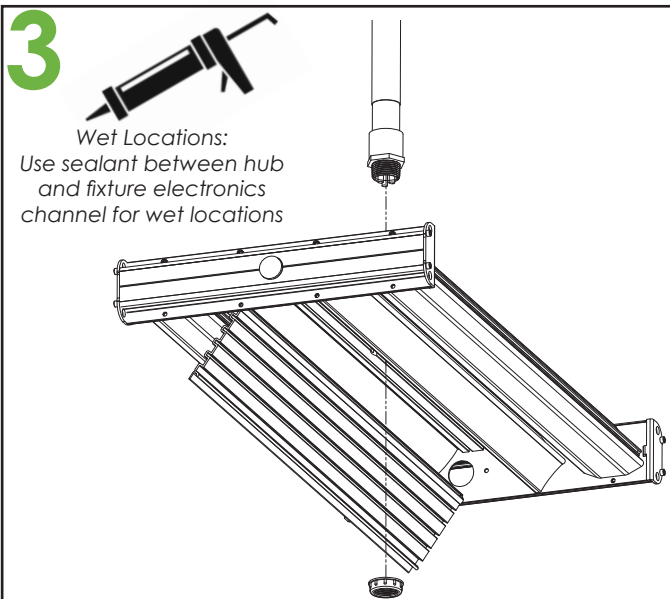


1
Affix Myers Hub to mounting point(s). Align machined mounting point(s) in channel with Myers Hub, and slide the fixture into place. Fasten by threading the provided nut to mounted Myer's Hub.



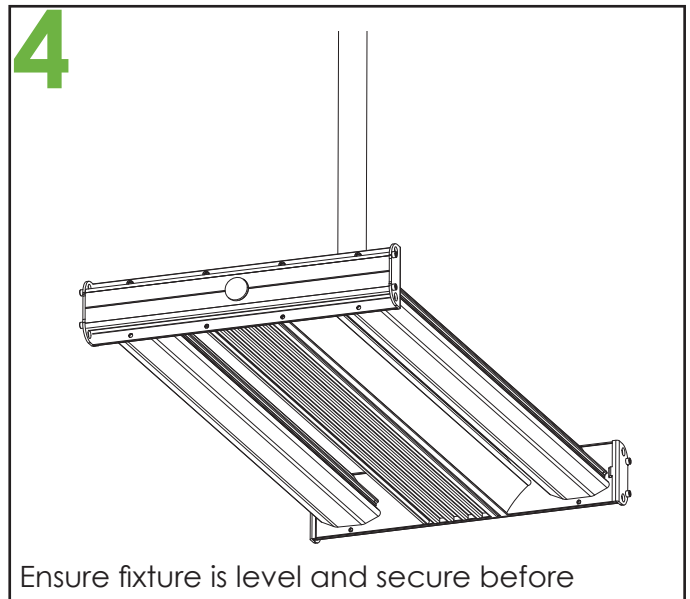
2
*Wet Locations:
Use sealant between hub
and fixture electronics
channel for wet locations*

Remove Myers Hub nut and set aside. Tool tighten Hub to the existing stem.



3
*Wet Locations:
Use sealant between hub
and fixture electronics
channel for wet locations*

Open downward facing lid (see page 7 for lid opening detail). Raise the IK10+ fixture to the stem and secure with Myers Hub nut. Ensure the fixture's weight is properly supported until Myers Hub nut is secure.



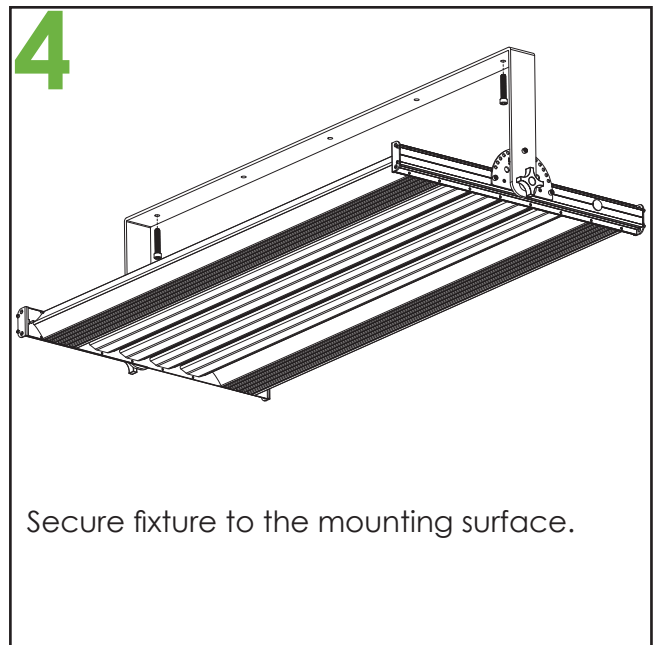
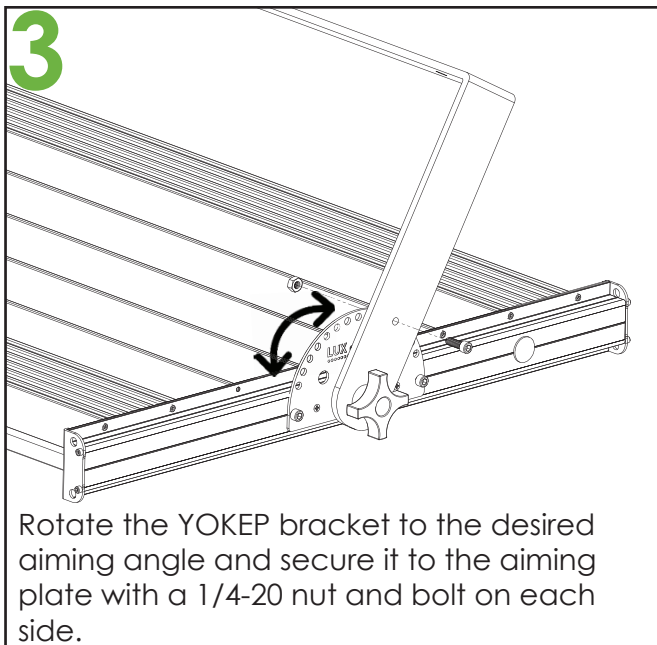
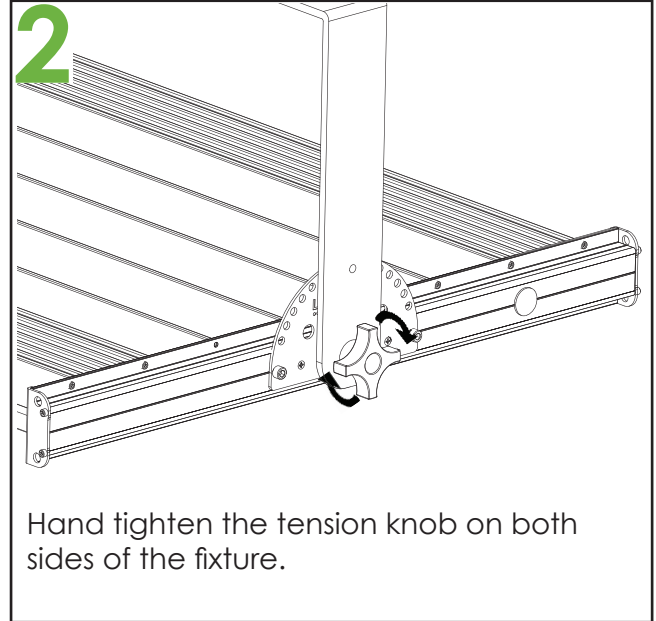
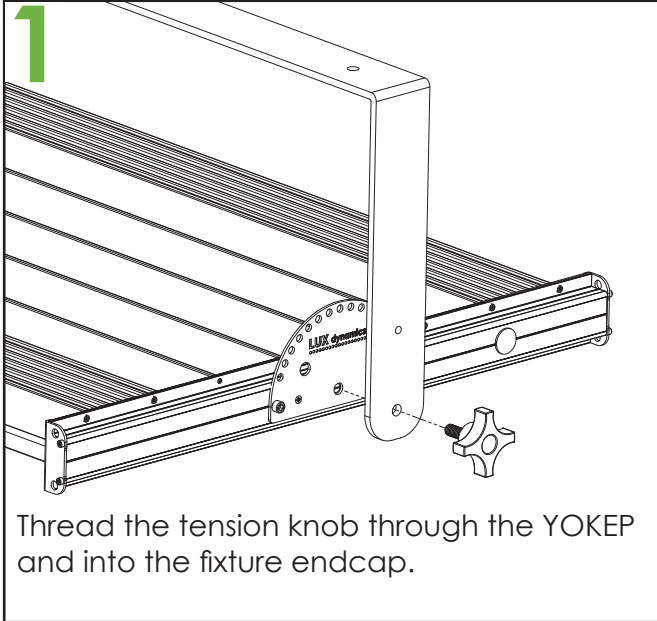
4
Ensure fixture is level and secure before moving on to electrical connections. Complete electrical connections within the fixture's electronics compartment as seen in the wiring diagram on page 10. Snap electronics compartment closed after electrical connections are complete.





To Install: Yoke Mount

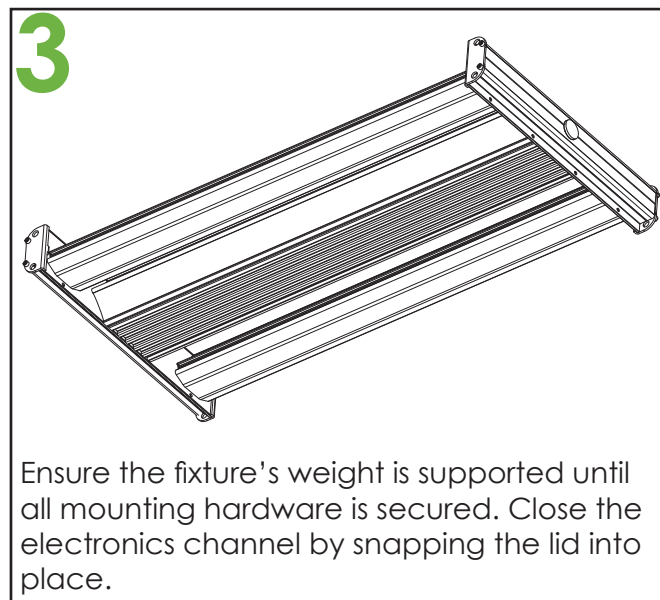
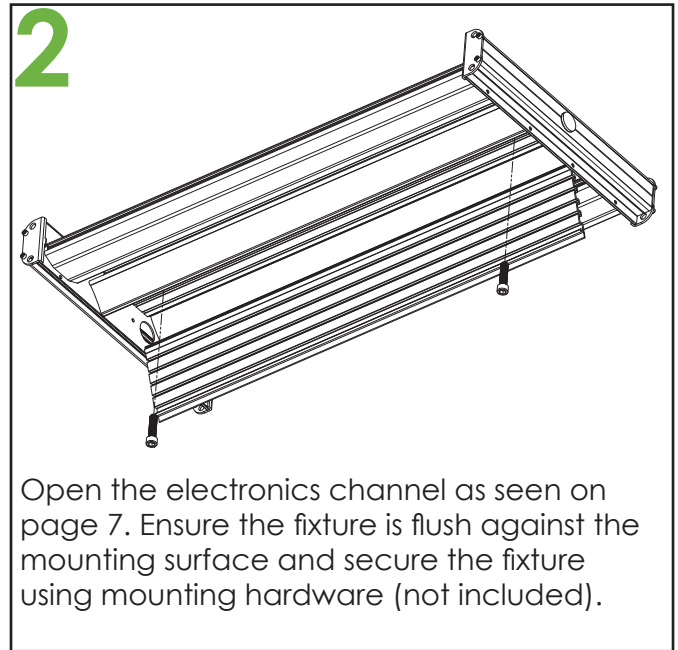
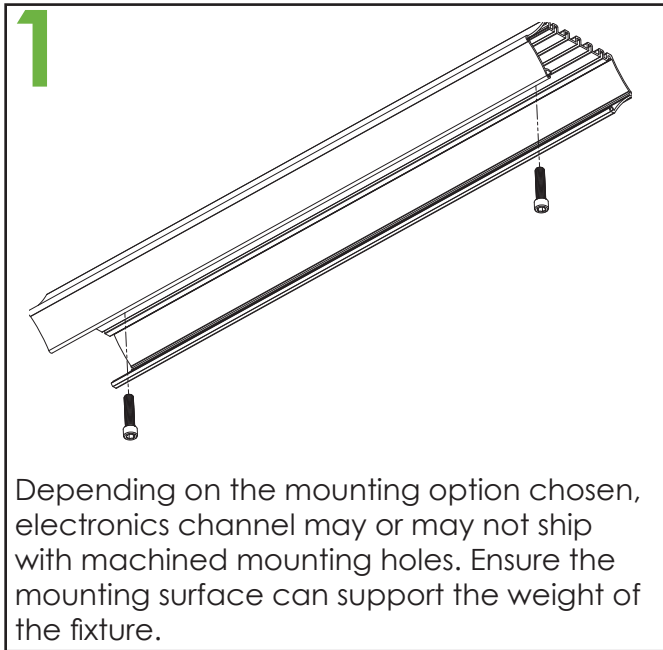
For use with options: **YOKE**





To Install: **Surface Mount**

For use with options: **SM, SMH**





Channel Access

1

Locate the flanged edge of the channel, opposite the hinge, as seen in the cross section above.

2

Using your fingers or a flat tool, pry open the hinged lid.

3

You now have access to the channel. The lid will not disjoin from the fixture.

To close, press lid firmly back into place.

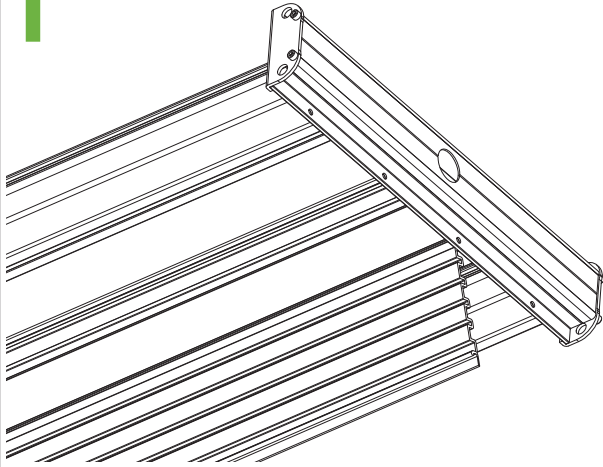




To Install: Cord

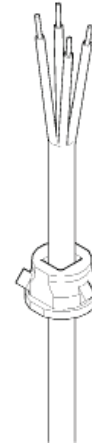
For use when purchasing cords separately

1



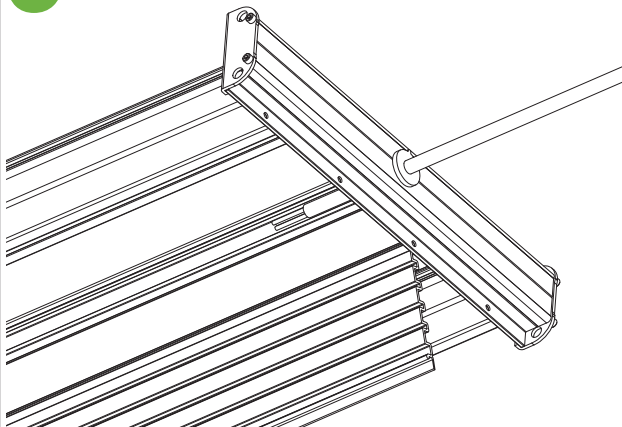
Select the desired end cap for cord location and drill a 7/8" hole where needed.

2



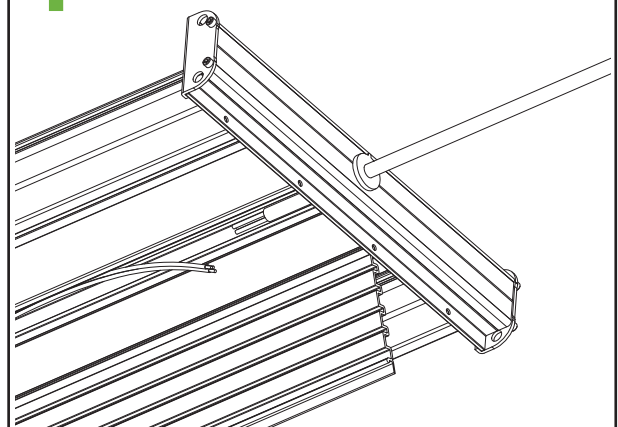
All cords come with a pre-installed Strain Relief Bushing (SRB). The number of conductors varies based on the cord purchased.

3



Fit the SRB into the drilled 7/8" hole, ensuring that the cord is not easily removed by pulling.

4



Connect cord leads to fixture leads with luminaire disconnect, wire nuts, or other means. Connectors required will vary based on fixture and cord type. Follow electrical connections instructions on page 10.

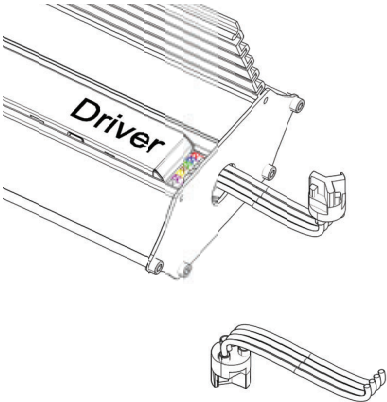




To Install: Remote Driver Channels

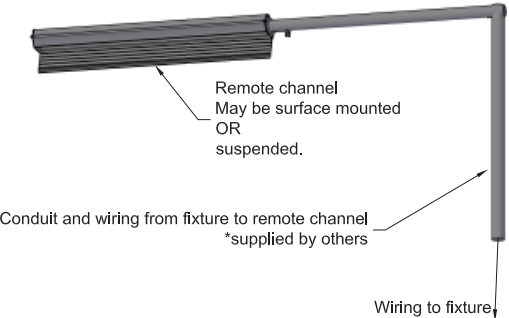
For use with options: **RMS, RMC**

1



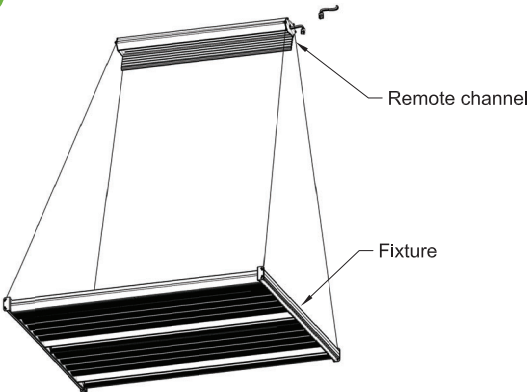
All remote mounting kits are provided with appropriate luminaire disconnects and individual wire colors for the positive and negative LED board connections. These quick disconnects and wire colors correspond to connectors and wires in the luminaire frame.

2



Installation of conduit and wiring provided by others. Use local code guidelines and appropriate gauge wire for power to flow from the remote driver channel to the luminaire. Each driver in the remote channel will require (2) wires per driver.

3



Complete the remote driver channel to the luminaire wiring, ensuring that the wire colors between the remote driver channel and the luminaire are matched.

MOUNTING NOTE:
Remote channels may be surface mounted or aircraft cable mounted. Part numbers are as follows:

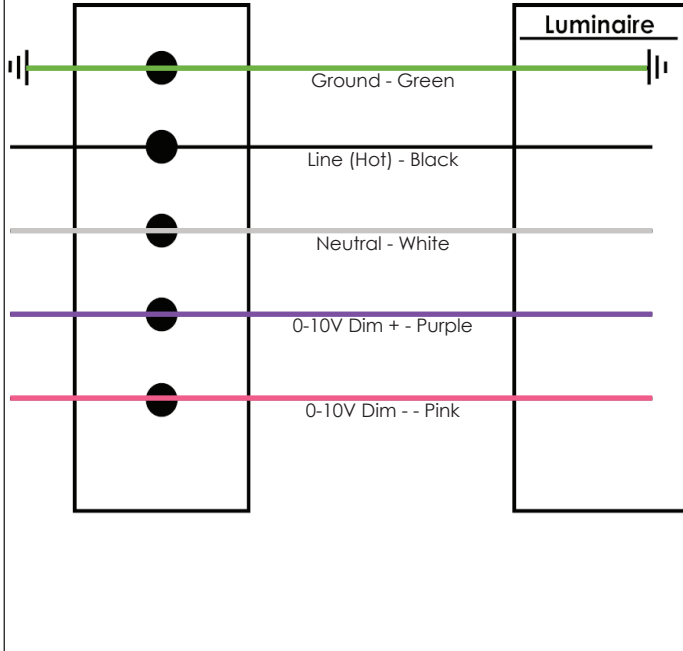
RMS = Remote Mount - Surface Mount
RMC = Remote Mount - Cable Mount



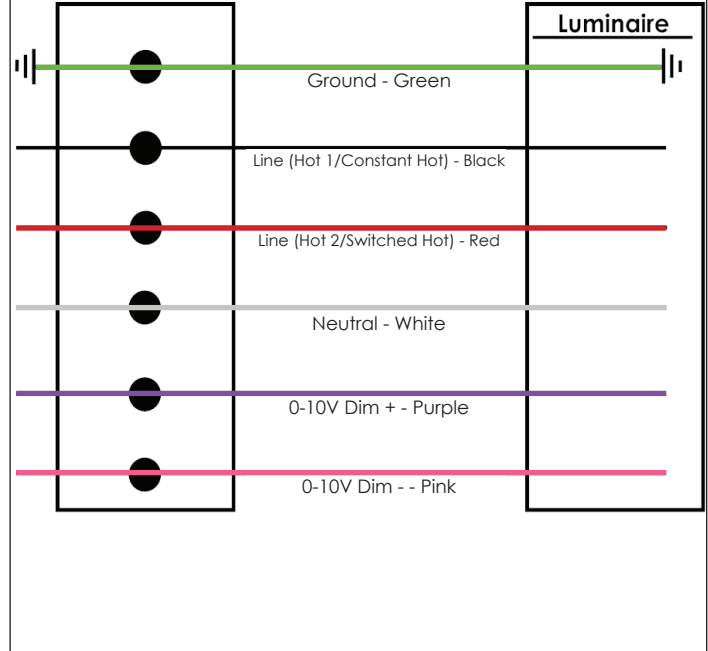


Electrical Connections

For 5-Conductor Installations



For 6-Conductor Installations



Make the Following Electrical Connections:

- Connect the green ground lead to the green position of the terminal block.
- Connect the black fixture lead to the voltage supply position or Hot 1 (for 208/240V wiring).
- For 6 conductor installations, connect the red fixture lead to the voltage supply position or Hot 2 (for multiple-switch installations).
- Connect the white fixture lead to the neutral supply position or Hot 2 (for 208/240V wiring).
- Connect the purple* dimming positive lead to the supply dimming positive lead.
- Connect the pink* dimming negative lead to the supply dimming negative lead.

*Note: Some 5-conductor cords may have red and blue dimming wires (positive and negative respectively).

