

Series: Specification Sheet

LUX ILLUMINATED TRUSS

The LiT (LUX illuminated Truss) combined with the new WAVE+ is an unbeatable combination of performance, beauty, and uniformity.



Performance

- Lumen output: **Up to 20,500 lumens (per section)**
- Efficacy: **Up to 133 Lumens per Watt**
- L₇₀ (per TM-21): **>72,000 Hours**
- L₇₀ (calculated): **147,000 Hours**
- Ambient Temp. Rating: **-40°F to 150°F (-40°C to 65.5°C)**
Ambient temperature rating varies for auxiliary components
- Surge Protection: **6kV (10kV Option Available)**

Construction

- Extruded 6463 aluminum construction
- Stainless-steel hardware
- Powdercoated aluminum endcaps
- Isolated extruded aluminum driver channels (polished)
- Thermally independent extruded aluminum heat sink LED bars (polished)
- Also available as non-illuminated structure

Listing and Ratings

- UL 1598 for Dry, Damp, and Wet Locations
- ARRA Compliant (Made in America)
- IP55 Rated
- UL EPH Listed - NSF Rated
- DLC Premium Listed
- Exceeds IK10 impact rating with PC lens
- IK10 rating does not apply to acrylic lenses
- Unified Glare Rating (UGR) 20 with deflector, 31.7 without deflector

Applications

- Gymnasiums/Sports Facilities
- Arenas/Fieldhouses
- Natatoriums
- Tennis Courts
- Architectural
- Airport/Aviation

Installation

- Aircraft cable suspension

Optics

- Wide 120° beam angle LEDs
- Rotatable LED bars allow for custom distributions
- Diffusing lens with coextruded gasket available in clear and white
- Acrylic and polycarbonate lens materials available
- Optional deflector shield reduces fixture glare

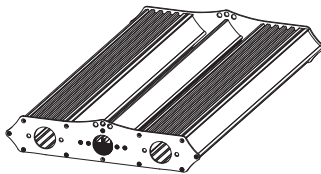
Warranty

- 10-Year Warranty on fixture body
- 5-Year Warranty on electronics
- For special requests, contact Factory



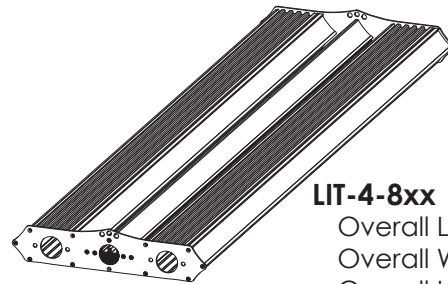
LIT 2 850 WA

		Affects fixture footprint size and maximum lumen output.	Other CCT and CRI available. Consult Factory.				
Series	Section	CRI / CCT			Lensing		
LIT	8	8' long	865	80CRI	6500K	WA	White acrylic lensing
	4	4' long	857	80CRI	5700K		
	2	2' long	850	80CRI	5000K	WP	White polycarbonate lensing
	CNR	Corner	840	80CRI	4000K		
			835	80CRI	3500K		
			830	80CRI	3000K		
			827	80CRI	2700K		
			950	90CRI	5000K		
			940	90CRI	4000K		
			935	90CRI	3500K		
	927	90CRI	2700K				
			TW	Tunable White			
			RGBW	RGB with 935			
			GREYED options not stocked and may need additional lead time				



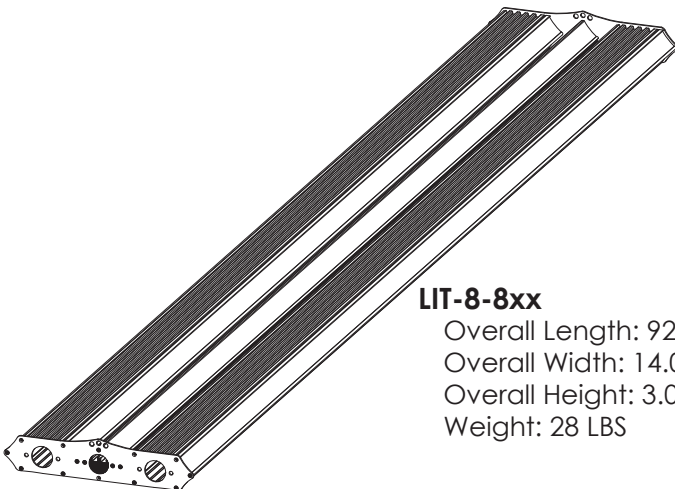
LIT-2-8xx

Overall Length: 23.13"
Overall Width: 14.00"
Overall Height: 3.00"
Weight: 8 LBS



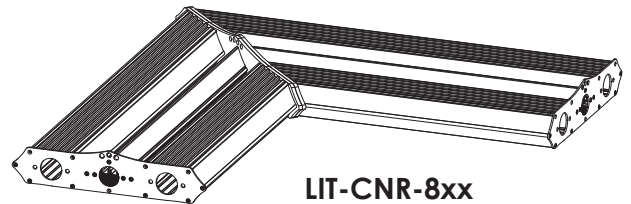
LIT-4-8xx

Overall Length: 46.20"
Overall Width: 14.00"
Overall Height: 3.00"
Weight: 15 LBS



LIT-8-8xx

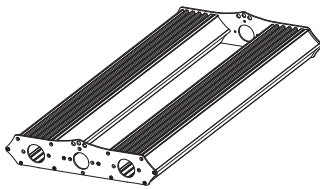
Overall Length: 92.20"
Overall Width: 14.00"
Overall Height: 3.00"
Weight: 28 LBS



LIT-CNR-8xx

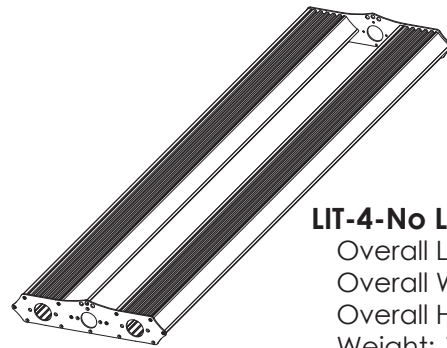
Overall Length: 31.00"
Overall Width: 31.00"
Overall Height: 3.00"
Weight: 17 LBS

LIT		2		No Light	
		Affects fixture footprint size and maximum lumen output.			
Series		Section			
LIT	8	8'	long		
	4	4'	long		
	2	2'	long		
	CNR	Corner			



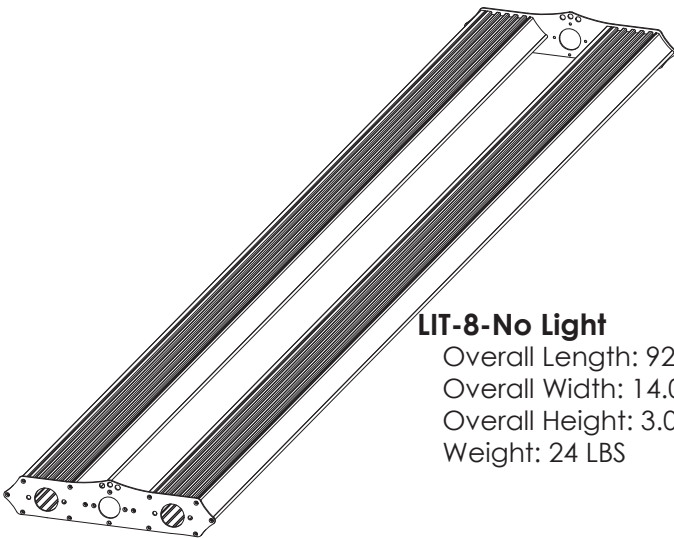
LIT-2-No Light

Overall Length: 23.13"
Overall Width: 14.00"
Overall Height: 3.00"
Weight: 7 LBS



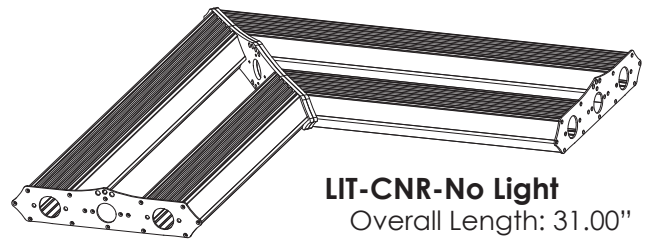
LIT-4-No Light

Overall Length: 46.20"
Overall Width: 14.00"
Overall Height: 3.00"
Weight: 12 LBS



LIT-8-No Light

Overall Length: 92.20"
Overall Width: 14.00"
Overall Height: 3.00"
Weight: 24 LBS



LIT-CNR-No Light

Overall Length: 31.00"
Overall Width: 31.00"
Overall Height: 3.00"
Weight: 16 LBS