

LUX™ BASEline

LUX™
dynamics

Extruded aluminum architectural and task lighting LED luminaire for use in applications including, but not limited to airports, industrial and task lighting, and educational and office spaces.



Performance

- Lumen output: **Up to 3,200 lumens per foot**
- Efficacy: **Up to 163 Lumens per Watt**
- L₇₀ (per TM-21): **60,000 Hours**
- L₇₀ (calculated): **102,000 Hours**
- Ambient Temp. Rating: **-40°F to 113°F (-40°C to 45°C)**
Ambient temperature ratings vary with option/adders
- Surge Protection: **6kV**
- Driver ratings: **120-277V input, 0-10V Dimming (1% min. optional)**
347-480V input, 0-10V Dimming (1% min. optional)

Construction

- Fixture body made from extruded 6463 aluminum
- Stainless-steel hardware
- Bright dip anodized fixture body

Optics

- Wide 120° beam angle LEDs (not including lens)
- Acrylic diffusing lens available in frosted and clear material

Applications

- Office/Commercial
- Education
- Industrial/Task
- Inspection

Installation

- Aircraft cable suspension
- Surface mounting
- For special requests, contact factory

Listing and Ratings

- UL 1598 for Dry and Damp Locations
- ARRA/BAA Compliant (Made in America)
- DLC Listed

Warranty

- 10-Year Warranty on fixture body
- 5-Year Warranty on electronics
- For special requests, contact factory



BASE		4		835		U10			
Delivered lumens with 3500K color / WA lens						Other driver options available. Consult factory.			
Series	Length		CRI / CCT			Voltage and Dimming			
BASE	2-3lm	2,778lm	850	80CRI	5000K	U10	120-277V	0-10V dimming	10% min.
	2	5,556lm	840	80CRI	4000K	U1	120-277V	0-10V dimming	1% min.
	4-6lm	5,506lm	835	80CRI	3500K	H10	347-480V	0-10V dimming	10% min.
	4	10,967lm	RGBW RGB with XXX			H1	347-480V	0-10V dimming	1% min.
	8-6lm	5,506lm	GREYED options not stocked and may need additional lead time						
	8-12lm	11,013lm							
	8	21,934lm							

Some CRI, CCT and other output variations may affect DLC listing; contact LUX for further information.

Options and Accessories

Endcap

HM Hanger mount

SM Surface mount

Standard powdercoat white

Lensing

CA Clear acrylic diffuse lens

WA White acrylic diffuse lens (standard)

Lumen/Wattage Output

CFO Custom fixture output (specify custom lumen output)

Emergency

Exx 10-watt and 15-watt integral batteries available, contact LUX for options

Mounting

2Pxx 2-Point aircraft suspension - hook ends (galvanized)

SM Surface mount, no additional hardware

Cord

(leave blank) No cord provided

3/10 3-wire, 10' cord | Standard white

4/10 4-wire, 10' cord | Standard white

5/10 5-wire, 10' cord | Standard white

6/10 6-wire, 10' cord | Standard white

Standard 1/2" knockout provided in endcap for cord installation

1st digit: Number of wires, including ground. Available from 3 through 6.

2nd digit: Overall length, including strips. Available from 10' through 30'.

Through wiring available, contact factory

Controls

OC-KO Knockout mounted on/off occupancy sensor (120-277V input)

Wireless Multiple wireless control systems available.

Controls Contact Factory for options and details

Lumen Multipliers

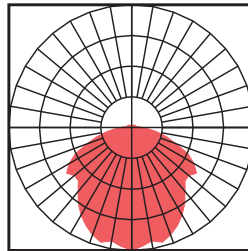
Lens	
Standard/Nominal = WA Lens	
Lumen Multipliers Compared to "Nominal"	
CA	111.4%
WA (nominal)	100.0%

CCT	
Standard/Nominal = 3500K CCT	
Lumen Multipliers Compared to "Nominal"	
5000K	102.0%
4000K	103.3%
3500K (nominal)	100.0%

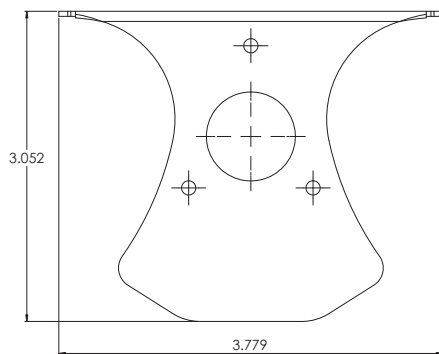
Optical Distribution

Lensed (CA or WA)

Achieved using any of our standard lenses

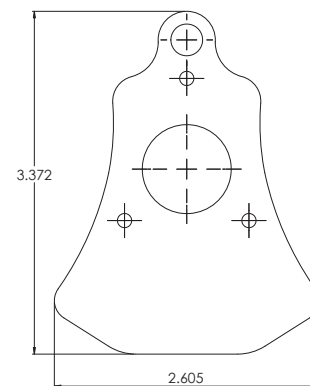


Endcap Option Details



Surface Mount

Surface mount endcap (*surface-mounting hardware provided by others*)



Hanger Mount

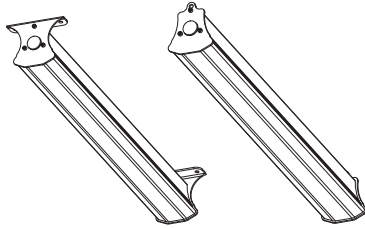
2Pxx: Aircraft cable mounting with snap hooks (*xx denotes cable length*)

Technical Specifications

Part #

BASE-2-850 (for 5000K), BASE-2-840 (for 4000K) or BASE-2-835 (for 3500K)

- 23.14"L x 3.75"W x 3.34"H
- Weight: 3 LBS



BASE-2-835			
Lens Option	Delivered Lumens	Wattage	Efficacy
BASE-2-3lm-835-U10-xx-CA	3,095	19.95	155
BASE-2-835-U10-xx-CA	6,190	39.91	155
BASE-2-3lm-835-U10-xx-WA	2,778	19.95	139
BASE-2-835-U10-xx-WA	5,556	39.91	139

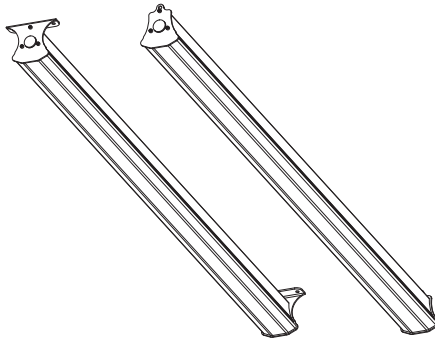
BASE-2-840			
Lens Option	Delivered Lumens	Wattage	Efficacy
BASE-2-3lm-840-U10-xx-CA	3,198	19.95	160
BASE-2-840-U10-xx-CA	6,397	39.91	160
BASE-2-3lm-840-U10-xx-WA	2,871	19.95	144
BASE-2-840-U10-xx-WA	5,742	39.91	144

BASE-2-850			
Lens Option	Delivered Lumens	Wattage	Efficacy
BASE-2-3lm-850-U10-xx-CA	3,155	19.95	158
BASE-2-850-U10-xx-CA	6,312	39.91	158
BASE-2-3lm-850-U10-xx-WA	2,833	19.95	142
BASE-2-850-U10-xx-WA	5,665	39.91	142

Part #

BASE-4-850 (FOR 5000K), BASE-4-840 (for 4000K) or BASE-4-835 (for 3500K)

- 46.20"L x 3.75"W x 3.34"H
- Weight: 6 LBS



BASE-4-835			
Lens Option	Delivered Lumens	Wattage	Efficacy
BASE-4-6lm-835-U10-xx-CA	6,134	38.99	157
BASE-4-835-U10-xx-CA	12,218	77.62	157
BASE-4-6lm-835-U10-xx-WA	5,506	38.99	141
BASE-4-835-U10-xx-WA	10,967	77.62	141

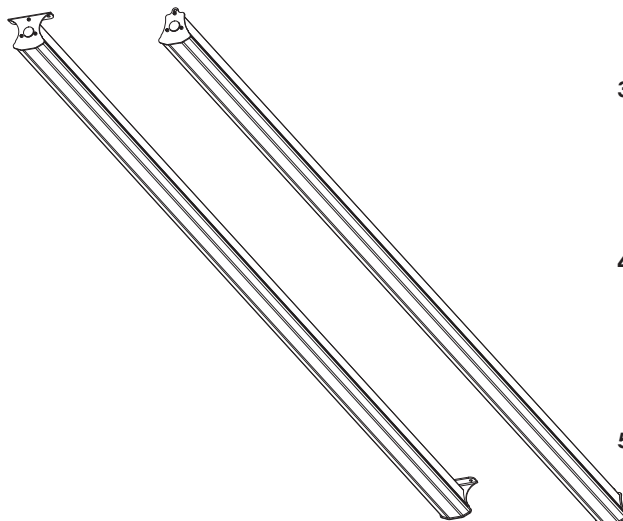
BASE-4-840			
Lens Option	Delivered Lumens	Wattage	Efficacy
BASE-4-6lm-840-U10-xx-CA	6,372	38.99	163
BASE-4-840-U10-xx-CA	12,627	77.62	163
BASE-4-6lm-840-U10-xx-WA	5,720	38.99	147
BASE-4-840-U10-xx-WA	11,334	77.62	146

BASE-4-850			
Lens Option	Delivered Lumens	Wattage	Efficacy
BASE-4-6lm-850-U10-xx-CA	6,328	38.99	162
BASE-4-850-U10-xx-CA	12,459	77.62	161
BASE-4-6lm-850-U10-xx-WA	5,680	38.99	146
BASE-4-850-U10-xx-WA	11,183	77.62	144

Part #

BASE-8-850 (for 5000K), BASE-8-840 (for 4000K) or BASE-8-835 (for 3500K)

- 91.20"L x 3.75"W x 3.34"H
- Weight: 11 LBS



BASE-8-835			
Lens Option	Delivered Lumens	Wattage	Efficacy
BASE-8-6lm-835-U10-xx-CA	6,134	38.99	157
BASE-8-12lm-835-U10-xx-CA	12,268	77.98	157
BASE-8-835-U10-xx-CA	24,436	155.24	157
BASE-8-6lm-835-U10-xx-WA	5,506	38.99	141
BASE-8-12lm-835-U10-xx-WA	11,013	77.98	141
BASE-8-835-U10-xx-WA	21,934	155.24	141

BASE-8-840			
Lens Option	Delivered Lumens	Wattage	Efficacy
BASE-8-6lm-840-U10-xx-CA	6,372	38.99	163
BASE-8-12lm-840-U10-xx-CA	12,743	77.98	163
BASE-8-840-U10-xx-CA	25,254	155.24	163
BASE-8-6lm-840-U10-xx-WA	5,720	38.99	147
BASE-8-12lm-840-U10-xx-WA	11,439	77.98	147
BASE-8-840-U10-xx-WA	22,668	155.24	146

BASE-8-850			
Lens Option	Delivered Lumens	Wattage	Efficacy
BASE-8-6lm-850-U10-xx-CA	6,328	38.99	162
BASE-8-12lm-850-U10-xx-CA	12,656	77.98	162
BASE-8-850-U10-xx-CA	24,917	155.24	161
BASE-8-6lm-850-U10-xx-WA	5,680	38.99	146
BASE-8-12lm-850-U10-xx-WA	11,361	77.98	146
BASE-8-850-U10-xx-WA	22,366	155.24	144