

LUX[™]. BRITEline

LUX[™]
dynamics

Extruded aluminum architectural and task lighting LED luminaire for use in applications including, but not limited to airports, industrial and task lighting, and educational and office spaces.



Performance

- Lumen output: **Up to 4,600 lumens per foot**
- Efficacy: **Up to 156 Lumens per Watt**
- L₇₀ (per TM-21): **60,000 Hours**
- L₇₀ (calculated): **102,000 Hours**
- Ambient Temp. Rating: **-40°F to 113°F (-40°C to 45°C)**
Ambient temperature ratings vary with option/adders
- Surge Protection: **6kV**
- Driver ratings: **120-277V input, 0-10V Dimming (1% min. optional)**
347-480V input, 0-10V Dimming (1% min. optional)

Construction

- Fixture body made from extruded 6463 aluminum
- Stainless-steel hardware
- Bright dip anodized fixture body

Optics

- Wide 120° beam angle LEDs (not including lens)
- Acrylic diffusing lens available in frosted and clear material

Applications

- Office/Commercial
- Education
- Industrial/Task
- Inspection

Installation

- Aircraft cable suspension
- Surface mounting
- For special requests, contact factory

Listing and Ratings

- UL 1598 for Dry and Damp Locations
- ARRA/BAA Compliant (Made in America)
- DLC Listed

Warranty

- 10-Year Warranty on fixture body
- 5-Year Warranty on electronics
- For special requests, contact factory



BRITE		4		835		U10			
		Delivered lumens with 3500K color / WA lens				Other driver options available. Consult factory.			
Series	Length		CRI / CCT		Voltage and Dimming				
BRITE	2	8,030lm	850	80CRI	5000K	U10	120-277V	0-10V dimming	10% min.
	4	15,628lm	840	80CRI	4000K	U1	120-277V	0-10V dimming	1% min.
	8	31,256lm	835	80CRI	3500K	H10	347-480V	0-10V dimming	10% min.
					RGBW RGB with XXX	H1	347-480V	0-10V dimming	1% min.
					GREYED options not stocked and may need additional lead time				

Some CRI, CCT and other output variations may affect DLC listing; contact LUX for further information.

Options and Accessories

Endcap

- HM** Hanger mount
 - SM** Surface mount
- Standard powdercoat white

Lensing

- CA** Clear acrylic diffuse lens
- WA** White acrylic diffuse lens (standard)

Lumen/Wattage Output

- CFO** Custom fixture output (specify custom lumen output)

Emergency

- ExxR** 20-watt and 30-watt remote batteries available, contact LUX for options

Mounting

- 2Pxx** 2-Point aircraft suspension - hook ends (galvanized)
- SM** Surface mount, no additional hardware

Cord

- (leave blank) No cord provided
- | | | |
|-------------|-----------------|----------------|
| 3/10 | 3-wire, 10'cord | Standard white |
| 4/10 | 4-wire, 10'cord | Standard white |
| 5/10 | 5-wire, 10'cord | Standard white |
| 6/10 | 6-wire, 10'cord | Standard white |

Standard 1/2" knockout provided in endcap for cord installation
 1st digit: Number of wires, including ground. Available from 3 through 6.
 2nd digit: Overall length, including strips. Available from 10' through 30'.
 Through wiring available, contact factory

Controls

- OC-KO** Knockout mounted on/off occupancy sensor (120-277V input)
- Wireless** Multiple wireless control systems available.
- Controls** Contact Factory for options and details

Lumen Multipliers

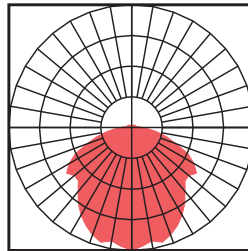
Lens	
Standard/Nominal = WA Lens	
Lumen Multipliers Compared to "Nominal"	
CA	111.4%
WA (nominal)	100.0%

CCT	
Standard/Nominal = 3500K CCT	
Lumen Multipliers Compared to "Nominal"	
5000K	102.0%
4000K	103.3%
3500K (nominal)	100.0%

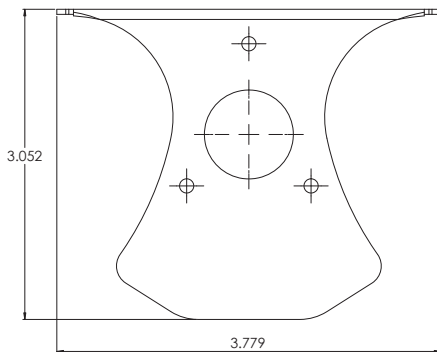
Optical Distribution

Lensed (CA or WA)

Achieved using any of our standard lenses

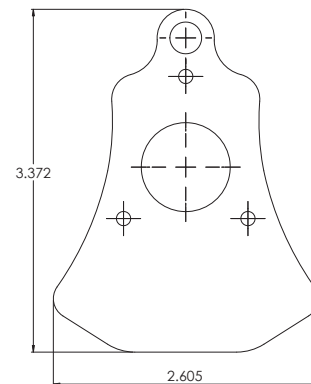


Endcap Option Details



Surface Mount

Surface mount endcap (*surface-mounting hardware provided by others*)



Hanger Mount

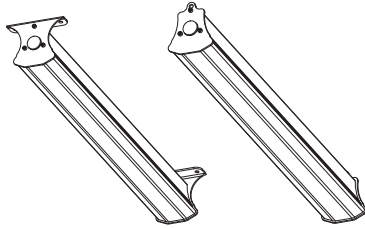
2Pxx: Aircraft cable mounting with snap hooks (*xx denotes cable length*)

Technical Specifications

Part

BRITE-2-850 (for 5000K), BRITE-2-840 (for 4000K) or BRITE-2-835 (for 3500K)

- 23.14"L x 3.75"W x 3.34"H
- Weight: 3 LBS



BRITE-2-835			
Lens Option	Delivered Lumens	Wattage	Efficacy
BRITE-2-835-U10-xx-CA	8,946	59.16	151
BRITE-2-835-U10-xx-WA	8,030	59.16	136

3500K

BRITE-2-840			
Lens Option	Delivered Lumens	Wattage	Efficacy
BRITE-2-840-U10-xx-CA	9,245	59.16	156
BRITE-2-840-U10-xx-WA	8,299	59.16	140

4000K

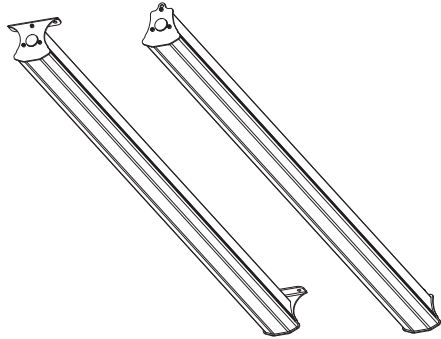
BRITE-2-850			
Lens Option	Delivered Lumens	Wattage	Efficacy
BRITE-2-850-U10-xx-CA	9,122	59.16	154
BRITE-2-850-U10-xx-WA	8,188	59.16	138

5000K

Part

BRITE-4-850 (for 5000K), BRITE-4-840 (for 4000K) or BRITE-4-835 (for 3500K)

- 46.20"L x 3.75"W x 3.34"H
- Weight: 6 LBS



BRITE-4-835			
Lens Option	Delivered Lumens	Wattage	Efficacy
BRITE-4-835-U10-xx-CA	17,411	118.36	147
BRITE-4-835-U10-xx-WA	15,628	118.36	132

3500K

BRITE-4-840			
Lens Option	Delivered Lumens	Wattage	Efficacy
BRITE-4-840-U10-xx-CA	17,993	118.36	152
BRITE-4-840-U10-xx-WA	16,151	118.36	136

4000K

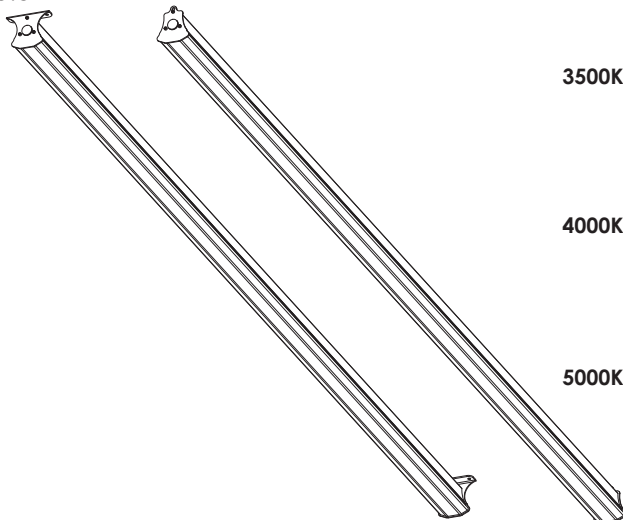
BRITE-4-850			
Lens Option	Delivered Lumens	Wattage	Efficacy
BRITE-4-850-U10-xx-CA	17,754	118.36	150
BRITE-4-850-U10-xx-WA	15,936	118.36	135

5000K

Part

BRITE-8-850 (for 5000K), BRITE-8-840 (for 4000K) or BRITE-8-835 (for 3500K)

- 91.20"L x 3.75"W x 3.34"H
- Weight: 11 LBS



BRITE-8-835			
Lens Option	Delivered Lumens	Wattage	Efficacy
BRITE-8-835-U10-xx-CA	34,821	236.72	147
BRITE-8-835-U10-xx-WA	31,256	236.72	132

3500K

BRITE-8-840			
Lens Option	Delivered Lumens	Wattage	Efficacy
BRITE-8-840-U10-xx-CA	35,987	236.72	152
BRITE-8-840-U10-xx-WA	32,302	236.72	136

4000K

BRITE-8-850			
Lens Option	Delivered Lumens	Wattage	Efficacy
BRITE-8-850-U10-xx-CA	35,507	236.72	150
BRITE-8-850-U10-xx-WA	31,872	236.72	135

5000K