

# LUX<sup>™</sup>. BRITEline

LUX<sup>™</sup>  
dynamics

Extruded aluminum architectural and task lighting LED luminaire for use in applications including, but not limited to airports, industrial and task lighting, and educational and office spaces.



## Performance

- Lumen output: **Up to 4,650 lumens per foot**
- Efficacy: **Up to 145 Lumens per Watt**
- L<sub>70</sub> (per TM-21): **60,000 Hours**
- L<sub>70</sub> (calculated): **189,000 Hours**
- Ambient Temp. Rating: **-40°F to 104°F (-40°C to 40°C)**  
Ambient temperature ratings vary with option/adders
- Surge Protection: **2.5kV (6kV Optional)**
- Driver ratings: **120-277V input, 0-10V Dimming (1% min. optional)**  
**347-480V input, 0-10V Dimming (1% min. optional)**

## Construction

- Fixture body made from extruded 6463 aluminum
- Stainless-steel hardware
- Bright dip anodized fixture body

## Optics

- Wide 120° beam angle LEDs
- Acrylic diffusing lens available in frosted and clear material
- Narrow optic available

## Applications

- Office/Commercial
- Education
- Industrial/Task
- Inspection

## Installation

- Aircraft cable suspension
- Surface mounting
- For special requests, contact factory

## Listing and Ratings

- UL 1598 for Dry and Damp Locations
- ARRA/BAA Compliant (Made in America)
- DLC Listed

## Warranty

- 10-Year Warranty on fixture body
- 5-Year Warranty on electronics
- For special requests, contact factory



BRITE                      4                                      835                                      U10

		Delivered lumens with 3500K color / WA lens			Other driver options available. Consult factory.				
Series	Length		CRI / CCT		Voltage and Dimming				
BRITE	2	7,883lm	850	80CRI	5000K	U10	120-277V	0-10V dimming	10% min.
	4	15,765lm				U1	120-277V	0-10V dimming	1% min.
	8	31,530lm				H10	347-480V	0-10V dimming	10% min.
			840	80CRI	4000K	H1	347-480V	0-10V dimming	1% min.
			835	80CRI	3500K	<b>Dimming curves and other operating characteristics may vary between models</b>			

Some CRI, CCT and other output variations may affect DLC listing; contact LUX for further information.

**Options and Accessories**

**Endcap**

- HM                      Hanger mount
- SM                      Surface mount

Standard powdercoat white

**Lensing**

- CA                      Clear acrylic diffuse lens
- WA                      White acrylic diffuse lens
- N                        Narrow optics

"2", "4", or "8" denotes fixture length

**Lumen/Wattage Output**

- CFO                      Custom fixture output (specify custom lumen output or wattage lower than standard)

**Emergency**

- E10                      10-watt integral emergency battery
- E15                      15-watt integral emergency battery
- E20RL                      20-watt remote mounted emergency battery

Integral batteries available on 4' and 8' models only, contact Factory for details

**Mounting**

- 2P10                      2-Point aircraft suspension - hook ends (galvanized)
- SM                      Surface mount, no additional hardware provided

20' and 30' cable lengths available, contact Factory for details.

**Cord**

- (leave blank)                      No cord provided
- 3/10                      3-wire, 10' cord                      Standard white
- 4/10                      4-wire, 10' cord                      Standard white
- 5/10                      5-wire, 10' cord                      Standard white
- 6/10                      6-wire, 10' cord                      Standard white

**Other cord lengths available as well as multi-circuit wiring and through-wiring options.**

Standard 1/2" knockout provided in endcap for cord installation.

1<sup>st</sup> digit: Number of wires, including ground. Available from 3 through 6.

2<sup>nd</sup> digit: Overall length, including strips. Available from 10' through 30'.

**Controls**

- OC-KO                      Knockout mounted on/off occupancy sensor (120-277V input)
- DO-KO                      Knockout mounted daylight harvesting sensor (120-277V input)
- Wireless Controls**                      Multiple wireless control systems available. Contact Factory for options and details

**Application (Select all that apply)**

- GEN                      General applications (Not rated for WET, NSF, or high abuse environments)
- MFG                      Manufacturing or industrial
- WHS                      Warehousing or storage
- HNG                      Hangar
- ARCH                      Architectural (White lensing recommended)
- GAR                      Garage or canopy
- FRZ                      Freezer or cold storage

## Lumen Multipliers

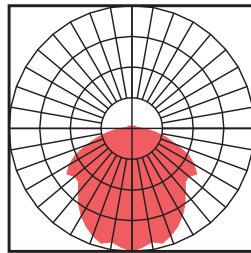
Lens	
Standard/Nominal = WA Lens	
Lumen Multipliers Compared to "Nominal"	
CA	108.9%
WA (nominal)	100.0%
N	106.9%

CCT	
Standard/Nominal = 3500K CCT	
Lumen Multipliers Compared to "Nominal"	
3500K (nominal)	100.0%
4000K	103.1%
5000K	103.1%

## Optical Distribution

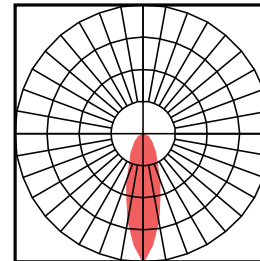
### Lensed (CA or WA)

Achieved using either of our standard lenses



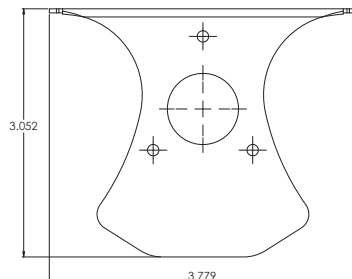
### Narrow Optic (N)

Achieved using a molded-acrylic, prismatic optic

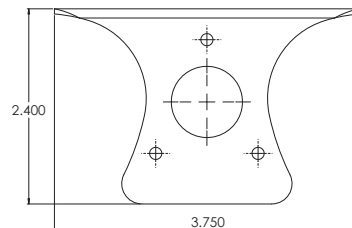


## Endcap Option Details

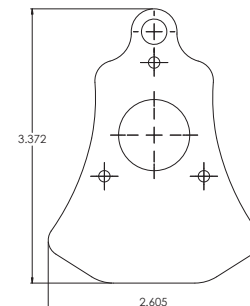
WA/CA Lens



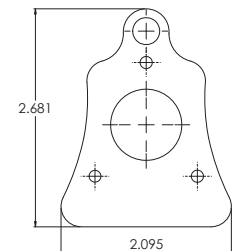
N Optic



WA/CA Lens



N Optic



### Surface Mount

Surface mount endcap (surface-mounting hardware provided by others)

### Hanger Mount

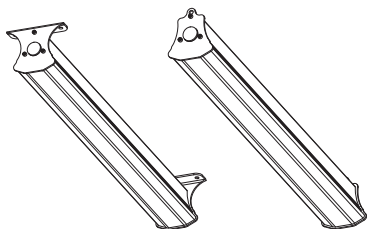
2Pxx: Aircraft cable mounting with snap hooks (xx denotes cable length)

## Technical Specifications White and Clear Lens Performance

### Part #

**BRITE-2-850 (for 5000K), BRITE-2-840 (for 4000K) or BRITE-2-835 (for 3500K)**

- 23.14"L x 3.75"W x 3.34"H
- Weight: 3 LBS



BRITE-2-835			
Lens Option	Delivered Lumens	Wattage	Efficacy
BRITE-2-835-U10-xx-CA	8,583	61	141
BRITE-2-835-U10-xx-WA	7,883	61	129

3500K

BRITE-2-840			
Lens Option	Delivered Lumens	Wattage	Efficacy
BRITE-2-840-U10-xx-CA	8,846	61	145
BRITE-2-840-U10-xx-WA	8,124	61	133

4000K

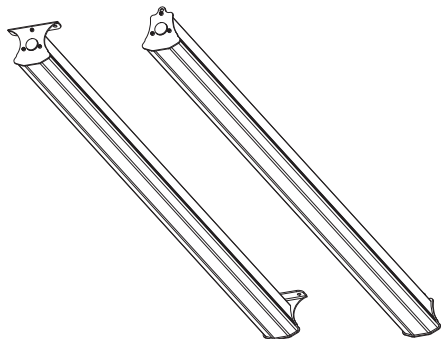
BRITE-2-850			
Lens Option	Delivered Lumens	Wattage	Efficacy
BRITE-2-850-U10-xx-CA	8,846	61	145
BRITE-2-850-U10-xx-WA	8,124	61	133

5000K

### Part #

**BRITE-4-850 (for 5000K), BRITE-4-840 (for 4000K) or BRITE-4-835 (for 3500K)**

- 46.20"L x 3.75"W x 3.34"H
- Weight: 6 LBS



BRITE-4-835			
Lens Option	Delivered Lumens	Wattage	Efficacy
BRITE-4-835-U10-xx-CA	17,166	122	141
BRITE-4-835-U10-xx-WA	15,765	122	129

3500K

BRITE-4-840			
Lens Option	Delivered Lumens	Wattage	Efficacy
BRITE-4-840-U10-xx-CA	17,691	122	145
BRITE-4-840-U10-xx-WA	16,247	122	133

4000K

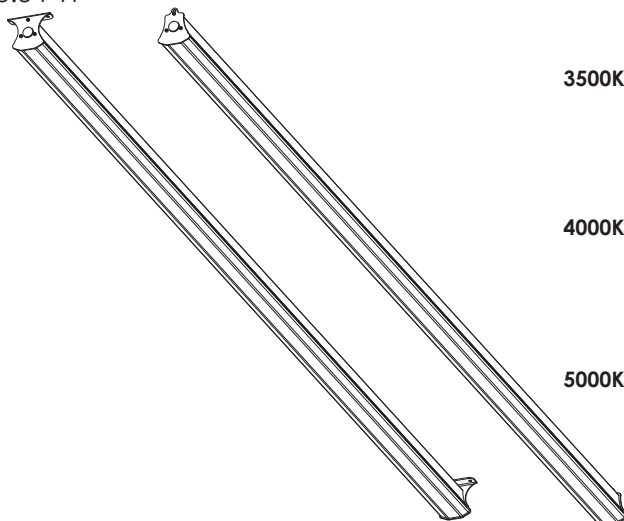
BRITE-4-850			
Lens Option	Delivered Lumens	Wattage	Efficacy
BRITE-4-850-U10-xx-CA	17,691	122	145
BRITE-4-850-U10-xx-WA	16,247	122	133

5000K

### Part #

**BRITE-8-850 (for 5000K), BRITE-8-840 (for 4000K) or BRITE-8-835 (for 3500K)**

- 91.20"L x 3.75"W x 3.34"H
- Weight: 11 LBS



BRITE-8-835			
Lens Option	Delivered Lumens	Wattage	Efficacy
BRITE-8-835-U10-xx-CA	34,332	244	141
BRITE-8-835-U10-xx-WA	31,530	244	129

3500K

BRITE-8-840			
Lens Option	Delivered Lumens	Wattage	Efficacy
BRITE-8-840-U10-xx-CA	35,383	244	145
BRITE-8-840-U10-xx-WA	32,495	244	133

4000K

BRITE-8-850			
Lens Option	Delivered Lumens	Wattage	Efficacy
BRITE-8-850-U10-xx-CA	35,383	244	145
BRITE-8-850-U10-xx-WA	32,495	244	133

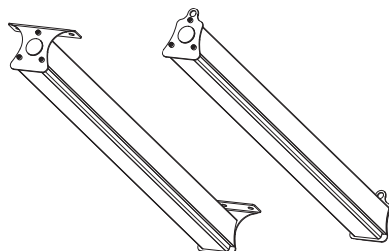
5000K

## Technical Specifications Narrow Optic Performance

### Part #

**BRITE-2-850-N (for 5000K), BRITE-2-840-N (for 4000K) or BRITE-2-835-N (for 3500K)**

- 22.53"L x 3.75"W x 2.40"H
- Weight: 3 LBS



BRITE-2-835 with Narrow Optic			
Lens Option	Delivered Lumens	Wattage	Efficacy
BRITE-2-835-U10-xx-N	8,426	61	138

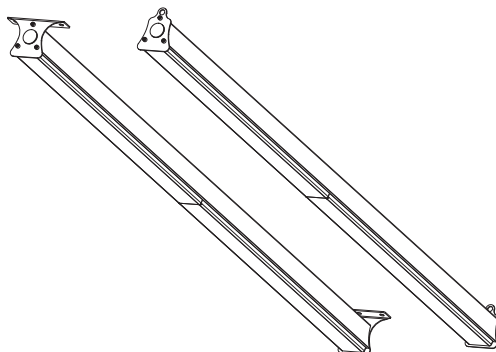
BRITE-2-840 with Narrow Optic			
Lens Option	Delivered Lumens	Wattage	Efficacy
BRITE-2-840-U10-xx-N	8,684	61	142

BRITE-2-850 with Narrow Optic			
Lens Option	Delivered Lumens	Wattage	Efficacy
BRITE-2-850-U10-xx-N	8,684	61	142

### Part #

**BRITE-4-850-N (for 5000K), BRITE-4-840-N (for 4000K) or BRITE-4-835-N (for 3500K)**

- 44.73"L x 3.75"W x 2.40"H
- Weight: 6 LBS



BRITE-4-835 with Narrow Optic			
Lens Option	Delivered Lumens	Wattage	Efficacy
BRITE-4-835-U10-xx-N	16,852	122	138

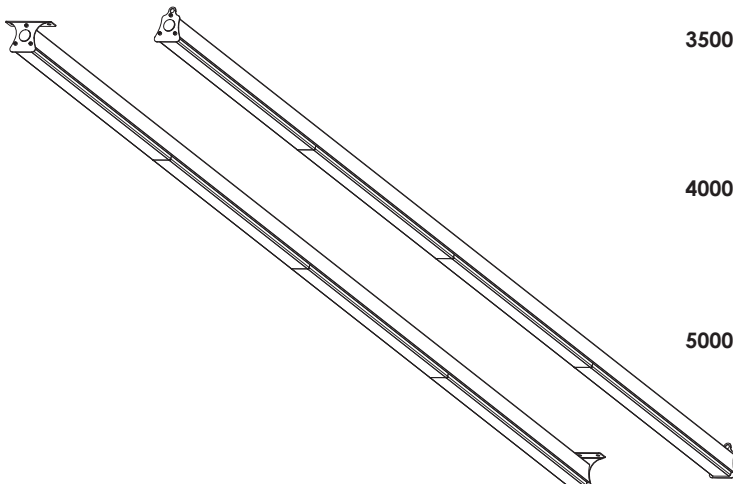
BRITE-4-840 with Narrow Optic			
Lens Option	Delivered Lumens	Wattage	Efficacy
BRITE-4-840-U10-xx-N	17,368	122	142

BRITE-4-850 with Narrow Optic			
Lens Option	Delivered Lumens	Wattage	Efficacy
BRITE-4-850-U10-xx-N	17,368	122	142

### Part #

**BRITE-8-850-N (for 5000K), BRITE-8-840-N (for 4000K) or BRITE-8-835-N (for 3500K)**

- 89.13"L x 3.75"W x 2.40"H
- Weight: 11 LBS



BRITE-8-835 with Narrow Optic			
Lens Option	Delivered Lumens	Wattage	Efficacy
BRITE-8-835-U10-xx-N	33,705	244	138

BRITE-8-840 with Narrow Optic			
Lens Option	Delivered Lumens	Wattage	Efficacy
BRITE-8-840-U10-xx-N	34,736	244	142

BRITE-8-850 with Narrow Optic			
Lens Option	Delivered Lumens	Wattage	Efficacy
BRITE-8-850-U10-xx-N	34,736	244	142