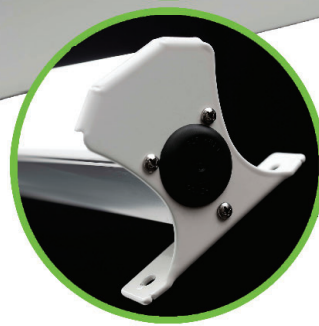


LUX[™]. HIGHline

LUX[™]
dynamics

Extruded aluminum architectural and task lighting LED luminaire for use in applications including, but not limited to subways, parking garages, airports, and office spaces.



Performance

- Lumen output: **Up to 4,550 lumens per foot**
- Efficacy: **Up to 161 Lumens per Watt**
- L₇₀ (per TM-21): **72,000 Hours**
- L₇₀ (calculated): **147,000 Hours**
- Ambient Temp. Rating: **-40°F to 113°F (-40°C to 45°C)**
Ambient temperature rating varies for auxiliary components
- Surge Protection: **6kV**
- Driver: **120-277V input, 0-10V Dimming (1% min. optional)**
347-480V input, 0-10V Dimming (1% min. optional)

Construction

- Extruded 6463 aluminum construction
- Stainless-steel hardware
- Bright dip anodized fixture body

Optics

- Wide 120° beam angle LEDs
- Diffusing lens available in frosted and clear material
- Lens may be acrylic or polycarbonate material

Warranty

- 10-Year Warranty on fixture body
- 5-Year Warranty on electronics
- For special requests, contact factory

Applications

- Office/Commercial
- Education
- Industrial/Task
- Inspection
- Parking Garage
- Natatorium
- Gymnasium

Installation

- Aircraft cable suspension
- Surface mounting
- For special requests, contact factory

Listings and Ratings

- UL 1598 for Dry, Damp, and Wet Locations
- ARRA Compliant (Made in America)
- DLC Listed
- IP55 Rated
- UL EPH Listed - NSF Rated
- Exceeds IK10 impact rating with polycarbonate lenses
- IK10 rating does not apply to acrylic lenses
- 3G Vibration Rated
- ARRA/BAA Compliant
- Conformal coated LED modules for WET locations



Series	Length	CRI / CCT	Voltage and Dimming	
HIGH	2	7,744lm	U10 120-277V 0-10V dimming 10% min. U1 120-277V 0-10V dimming 1% min. H10 347-480V 0-10V dimming 10% min. H1 347-480V 0-10V dimming 1% min. Dimming curves and other operating characteristics may vary between models	
	4	15,488lm		
	8	30,976lm		
				865 80CRI 6500K
				857 80CRI 5700K
				850 80CRI 5000K
				840 80CRI 4000K
				835 80CRI 3500K
				830 80CRI 3000K
				827 80CRI 2700K
				950 90CRI 5000K
				940 90CRI 4000K
				935 90CRI 3500K
				927 90CRI 2700K
		TW Tunable White		
		RGBW RGB with XXX		
		GREYED options not stocked and may need additional lead time		

Some CRI, CCT and other output variations may affect DLC listing; contact LUX for further information.

Options and Accessories

Endcap

- HM** Hanger mount
- SM** 3G rated surface mount
- TM** Tandem hanger or surface mount
- AIM** Rotatable surface mount bracket

TM and AIM endcaps NOT acceptable for WET locations
Standard powdercoat white, contact LUX for options

Cord

- (leave blank)** No cord provided
- 3/10** 3-wire, 10' cord | Standard white
- 4/10** 4-wire, 10' cord | Standard white
- 5/10** 5-wire, 10' cord | Standard white
- 6/10** 6-wire, 10' cord | Standard white

Other cord lengths available as well as multi-circuit wiring and through-wiring options.

Standard 1/2" knockout provided in endcap for cord installation.
1st digit: Number of wires, including ground. Available from 3 through 6.
2nd digit: Overall length, including strips. Available from 10' through 30'.

Lensing

- CA** Clear acrylic diffuse lens
- CP** Clear polycarbonate diffuse lens
- WA** White acrylic diffuse lens (standard)
- WP** White polycarbonate diffuse lens

"2", "4", or "8" denotes fixture length

Finish

- (leave blank)** Standard natatorium-grade bright dip anodized aluminum and white powdercoat endcaps, shown on specification sheet
- M** Mill finish endcaps, standard bright dip anodized aluminum body
- PC** Custom color by powdercoat. Must specify RAL number for endcap finish.
- BLKG** Glossy black finish on all components
- BLKM** Matte black finish on all components

Custom color anodized aluminum available in 2' configurations, consult Factory.

Lumen/Wattage Output

- CFO** Custom fixture output (specify custom lumen output or wattage lower than standard)

Emergency

- E20RL** 20-watt remote battery available, contact LUX for options

Mounting

- 2Pxx** 2-point aircraft cable suspension - hook ends (galvanized)
- 2PxxS** 2-point aircraft cable suspension - hook ends (stainless-steel)
- SM** Surface mount, no additional hardware

20' and 30' cable lengths available, contact Factory for details

Controls

- OC-KO** Knockout mounted on/off occupancy sensor (120-277V input)
- DO-KO** Knockout mounted daylight harvesting sensor (120-277V input)
- Wireless Controls** Multiple wireless control systems available. Contact Factory for options and details

Powerfeed

- (leave blank)** Power fed through endcap knockout
- WB** Wire through body, power feed through milled hole in fixture channel

Application (Select all that apply)

- WET** Wet location *(Includes conformal coated LED modules)*
- COR*** Caustic and natatorium environments *(Includes conformal coated LED modules)*
- TC** Tennis court *(Polycarbonate lensing recommended)*
- MFG** Manufacturing or industrial
- WHS** Warehousing or storage
- HNG** Hangar
- GYM** Gymnasium or sports court *(Polycarbonate lensing required)*
- AFH** Arena or fieldhouse *(Polycarbonate lensing recommended)*
- ARCH** Architectural *(White lensing recommended)*
- ICE** Ice rink *(Polycarbonate lensing recommended)*
- GAR** Garage or canopy
- FRZ** Freezer or cold storage

*COR application not suitable for all caustic environments, consult Factory
 Lensing required for WET and COR applications
 AIM endcap not suitable for WET applications
 Consult Factory for cost adders for WET and COR applications

Lensing Multipliers

Lens	
<i>Standard/Nominal = WA Lens</i>	
<i>Lumen Multipliers Compared to "Nominal"</i>	
CA	107.3%
CP	101.2%
WA (nominal)	100.0%
WP	77.5%

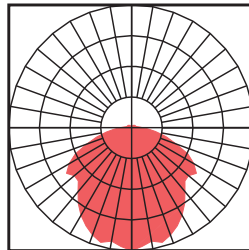
CCT	
<i>Standard/Nominal = 3500K CCT</i>	
<i>Lumen Multipliers Compared to "Nominal"</i>	
6500K	100.0%
5700K	100.0%
5000K	103.2%
4000K	103.9%
3500K (nominal)	100.0%
3000K	95.0%
2700K	90.0%

CRI	
<i>Standard/Nominal = 80 CRI</i>	
<i>Lumen Multipliers Compared to "Nominal"</i>	
80 CRI (nominal)	100.0%
<i>90 CRI Options</i>	
6500K (90 CRI)	84.9%
5700K (90 CRI)	85.2%
5000K (90 CRI)	85.2%
4000K (90 CRI)	85.2%
3500K (90 CRI)	83.5%
3000K (CRI 90)	81.0%
2700K (CRI 90)	76.6%

Optical Distribution Variations

Lensed (CA, CP, WA, or WP)

Achieved using any of our standard lenses

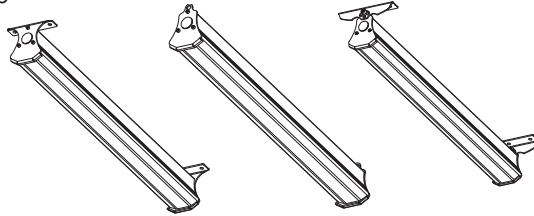


Technical Specifications

Part

HIGH-2-850 (for 5000K), HIGH-2-840 (for 4000K) or HIGH-2-835 (for 3500K)

- 23.14"L x 3.75"W x 3.34"H
- Weight: 3 LBS



3500K

HIGH-2-835			
Lens Option	Delivered Lumens	Wattage	Efficacy
HIGH-2-835-U10-xx-CA	8,309	53.48	155
HIGH-2-835-U10-xx-CP	7,837	53.48	147
HIGH-2-835-U10-xx-WA	7,744	53.48	145
HIGH-2-835-U10-xx-WP	6,006	53.48	112

4000K

HIGH-2-840			
Lens Option	Delivered Lumens	Wattage	Efficacy
HIGH-2-840-U10-xx-CA	8,631	53.48	161
HIGH-2-840-U10-xx-CP	8,141	53.48	152
HIGH-2-840-U10-xx-WA	8,044	53.48	150
HIGH-2-840-U10-xx-WP	6,239	53.48	117

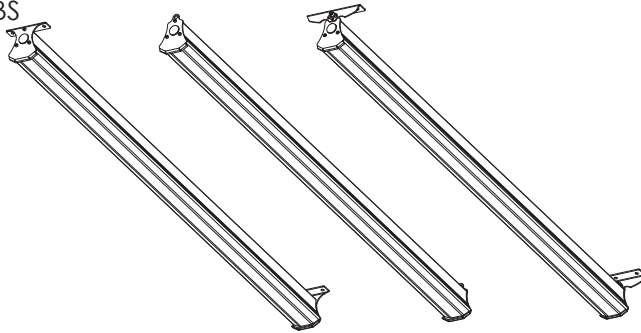
5000K

HIGH-2-850			
Lens Option	Delivered Lumens	Wattage	Efficacy
HIGH-2-850-U10-xx-CA	8,572	53.48	160
HIGH-2-850-U10-xx-CP	8,085	53.48	151
HIGH-2-850-U10-xx-WA	7,989	53.48	149
HIGH-2-850-U10-xx-WP	6,196	53.48	116

Part

HIGH-4-850 (for 5000K), HIGH-4-840 (for 4000K) or HIGH-4-835 (for 3500K)

- 46.20"L x 3.75"W x 3.34"H
- Weight: 6 LBS



3500K

HIGH-4-835			
Lens Option	Delivered Lumens	Wattage	Efficacy
HIGH-4-835-U10-xx-CA	16,619	106.96	155
HIGH-4-835-U10-xx-CP	15,674	106.96	147
HIGH-4-835-U10-xx-WA	15,488	106.96	145
HIGH-4-835-U10-xx-WP	12,012	106.96	112

4000K

HIGH-4-840			
Lens Option	Delivered Lumens	Wattage	Efficacy
HIGH-4-840-U10-xx-CA	17,263	106.96	161
HIGH-4-840-U10-xx-CP	16,281	106.96	152
HIGH-4-840-U10-xx-WA	16,095	106.96	150
HIGH-4-840-U10-xx-WP	12,477	106.96	117

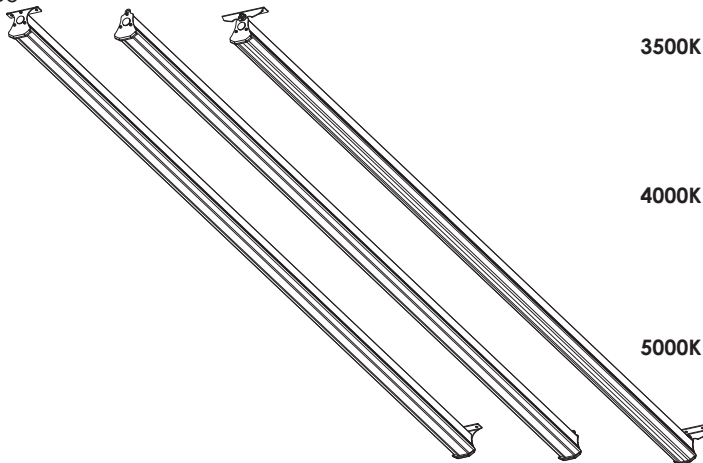
5000K

HIGH-4-850			
Lens Option	Delivered Lumens	Wattage	Efficacy
HIGH-4-850-U10-xx-CA	17,145	106.96	160
HIGH-4-850-U10-xx-CP	16,170	106.96	151
HIGH-4-850-U10-xx-WA	15,978	106.96	149
HIGH-4-850-U10-xx-WP	12,392	106.96	116

Part

HIGH-8-850 (for 5000K), HIGH-8-840 (for 4000K) or HIGH-8-835 (for 3500K)

- 91.20"L x 3.75"W x 3.34"H
- Weight: 11 LBS



3500K

HIGH-8-835			
Lens Option	Delivered Lumens	Wattage	Efficacy
HIGH-8-835-U10-xx-CA	33,238	213.91	155
HIGH-8-835-U10-xx-CP	31,348	213.91	147
HIGH-8-835-U10-xx-WA	30,976	213.91	145
HIGH-8-835-U10-xx-WP	24,025	213.91	112

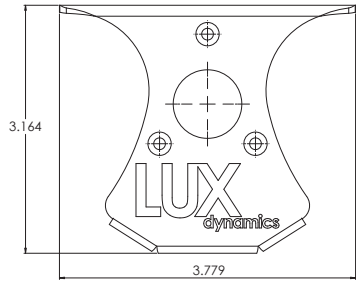
4000K

HIGH-8-840			
Lens Option	Delivered Lumens	Wattage	Efficacy
HIGH-8-840-U10-xx-CA	34,525	213.91	161
HIGH-8-840-U10-xx-CP	32,562	213.91	152
HIGH-8-840-U10-xx-WA	32,190	213.91	150
HIGH-8-840-U10-xx-WP	24,955	213.91	117

5000K

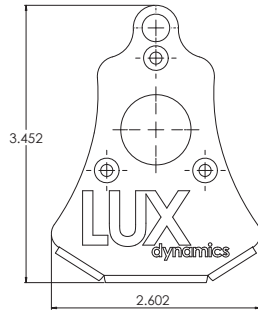
HIGH-8-850			
Lens Option	Delivered Lumens	Wattage	Efficacy
HIGH-8-850-U10-xx-CA	34,289	213.91	160
HIGH-8-850-U10-xx-CP	32,340	213.91	151
HIGH-8-850-U10-xx-WA	31,956	213.91	149
HIGH-8-850-U10-xx-WP	24,785	213.91	116

Endcap Option Details



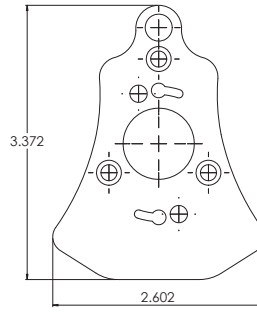
Surface Mount

Surface mount endcap
(surface-mounting hardware
provided by others)



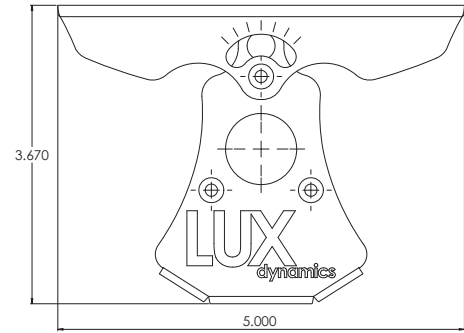
Hanger Mount

2Pxx, 2PxxS: Aircraft cable
mounting with snap hooks (xx
denotes cable length)



Tandem Mount

2Pxx, 2PxxS: Aircraft cable
mounting with snap hooks (xx
denotes cable length)



Rotatable Surface Mount

Rotatable surface mount endcap
(surface-mounting hardware
provided by others)

Tandem Mount



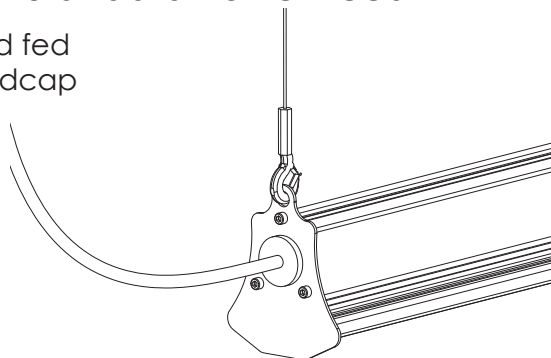
“TM” Tandem Mount
Hanger Mounting

- Consult factory for tandem mounting options
- Near seamless runs of fixtures in 2', 4', and 8' increments
- Tandem-bracket locking mechanism allows for easy installation
- Run length limitations may exist depending on application
- Wire connectors provided to splice tandem fixtures together

Electrical Connections

Standard Power Feed

Power cord fed
through endcap



“WB” Power Feed

Power cord fed through
machined
hole in
electronics
channel

