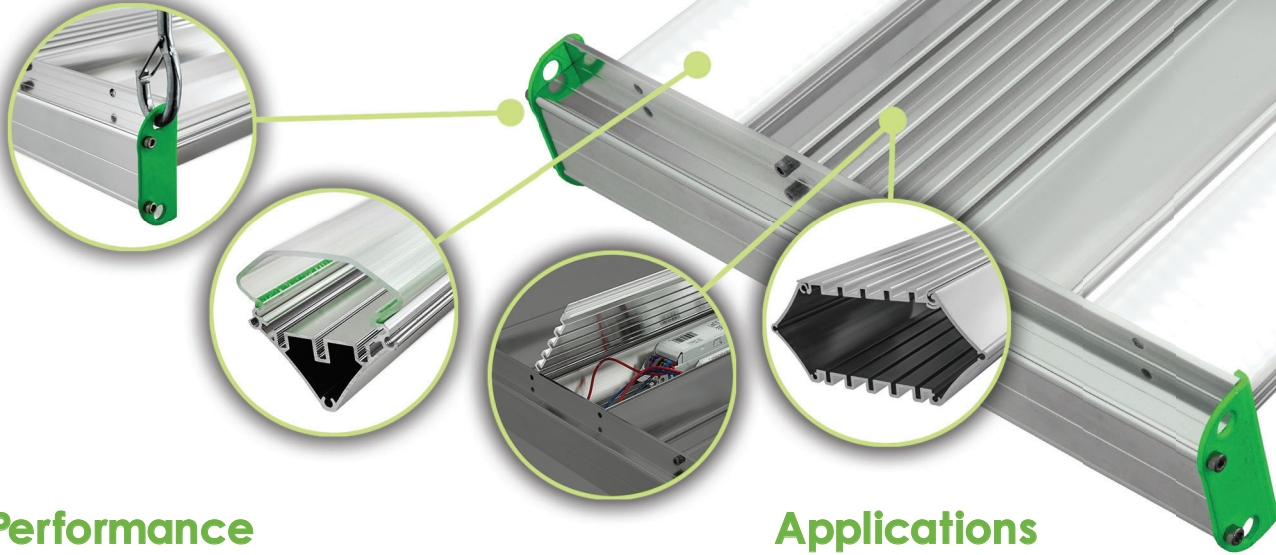




Series - Specification Sheet



Performance

- Lumen output: **24,000, 48,000, and 72,000 lumens**
- Efficacy: **Up to 161 Lumens per Watt**
- L₇₀ (per TM-21): **72,000 Hours**
- L₇₀ (calculated): **147,000 Hours**
- Ambient Temp. Rating: **-40°F to 150°F (-40°C to 65.5°C)**
Ambient temperature rating varies for auxiliary components
- Surge Protection: **6kV**
- Driver: **120-277V input, 0-10V Dimming (down to 10%)**

Construction

- Extruded 6463 aluminum construction
- Stainless-steel hardware
- Bright dip anodized fixture body
- Isolated driver channels
- Thermally independent heat sink LED bars

Optics

- Wide 120° beam angle LEDs
- Optional narrow optic for racking and aisle applications
- Diffusing lens available in frosted/clear material
- Acrylic lens material
- Lens offers up to 6% uplight
- Special requests, contact Factory

Applications

- Warehouses
- Manufacturing/Industrial
- Hangars

Installation

- Aircraft cable suspension
- Surface mounting
- For special requests, contact Factory

Listing and Ratings

- UL 1598 for Dry and Damp Locations
- ARRA/BAA Compliant (Made in America)
- BABA Compliant Options Available, Consult Factory
- DLC Premium Listed
- 3G Vibration Rated

Warranty

- 10-Year Warranty on fixture body
- 5-Year Warranty on electronics
- For special requests, contact Factory



6 week approximate lead time

Page 1 of 4

Example Catalog Number:

GO2		24	850
Delivered lumens with HO5, 5000K/4000K color, and CA lens			
Series	Lumen Output		CRI / CCT
GO2	24	23,837lm	850 80CRI 5000K
	48	47,237lm	840 80CRI 4000K
	72	71,151lm	

Options and Accessories

Lensing
(blank) Clear acrylic diffuse lens (standard)
NL No lensing

Cord (not installed)
(leave blank) No cord provided
3/10 3-wire, 10' cord | Standard white
4/10 4-wire, 10' cord | Standard white
5/10 5-wire, 10' cord | Standard white

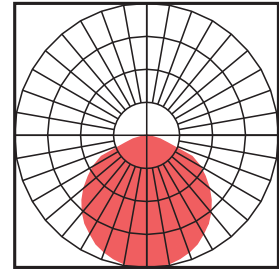
Cord not installed
 Standard 1/2" knockout provided in endcap for cord installation
 1st digit: Number of wires, including ground. Available from 3 through 6.
 2nd digit: Overall length, including strips. Available from 10' through 30'.

Mounting
(leave blank) No mounting hardware provided
10Y 10' Y-Hanger with hook ends for mounting
SM No mounting Hardware Provided, may be surface mounted
 Contact Factory for other options

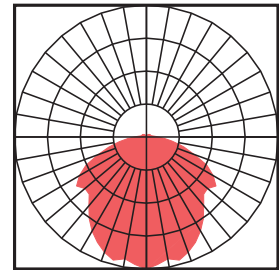
Controls - (120-277v input)
OC-GO2 Knockout mounted on/off occupancy sensor **(NOT INSTALLED)**
OC Integral on/off occupancy sensor
DO-GO2 Knockout mounted high/low/off occupancy and daylight harvesting sensor **(NOT INSTALLED)**
DO Integral high/low/off occupancy and daylight harvesting sensor

Emergency
E20 20-watt non-integral emergency battery (CA Title-20 compliant)
must be field-installed
 Contact Factory for integral configurations

(No Lens)
 standard 120° distribution achieved when using bare LEDs with no secondary optics



Lensed
 wide/diffused optic achieved using any of our standard lenses



Emergency Battery Performance

E20 (20 Watt EM)	
Lens Option	Delivered Lumens
NL	4,190
CA	3,920

E30 (30 Watt EM)	
Lens Option	Delivered Lumens
NL	6,269
CA	5,864

6 week approximate lead time
 Page 2 of 4

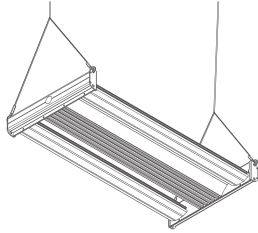
Mounting Option Details

2-Point Y-Cable Mount

Part Numbers:
10Y

Description:

- 10' in length
- Galvanized steel cable and mounting hook

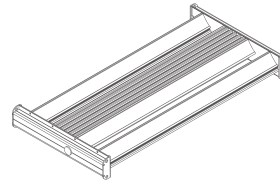


Surface mounting (no additional hardware or mounting holes supplied)

Part Number:
SM

Description:

- SM available for all options, no additional hardware supplied
- Fixture may be anchored flush to any suitable substrate through electronics channel



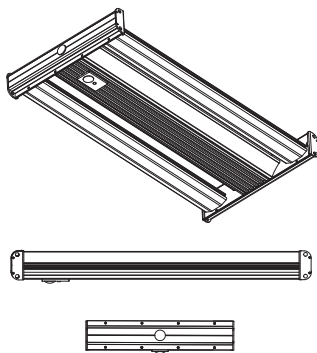
Sensor Details

Occupancy Sensor

Part Numbers:
OC, OC-GO2

Description:

- PIR occupancy sensor (line voltage 120-277V input and 0-10V dimming)
- Ambient temperature rating: -10°C to 60°C
- Mounting height: 15' to 45'
- Coverage area: 15' to 20' radial coverage (30'-40' diameter) typical

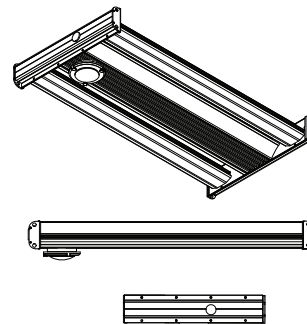
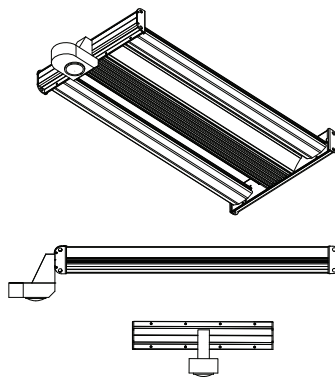


Daylight Harvesting Sensor

Part Numbers:
DO, DO-GO2

Description:

- DLH photocell sensor (line voltage 120-277V input and 0-10V dimming)
- Ambient temperature rating: -40°C to 70°C
- Mounting height: 8' to 45'
- Coverage area: 100' diameter at 40' mounting height



6 week approximate lead time

Page 3 of 4

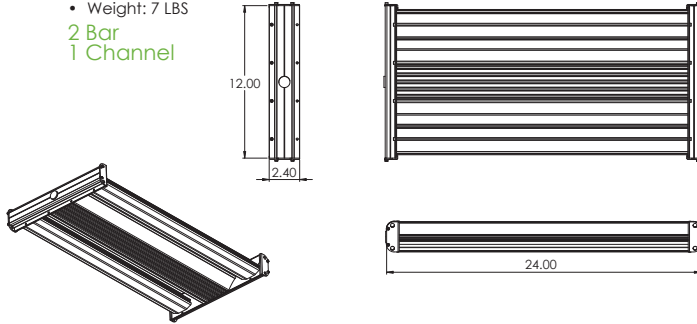
Technical Specifications

Delivered lumens based on HO5 performance data

Part #
GO2-24-840 (for 4000K) or GO2-24-850 (for 5000K)

- 24" L x 12" W x 2.4" H
- Weight: 7 LBS

2 Bar
 1 Channel



5000K

Model	Delivered Lumens	Wattage	Efficacy
GO2-24-850-NL	24,864	154	161
GO2-24-850-CA	23,837	154	155

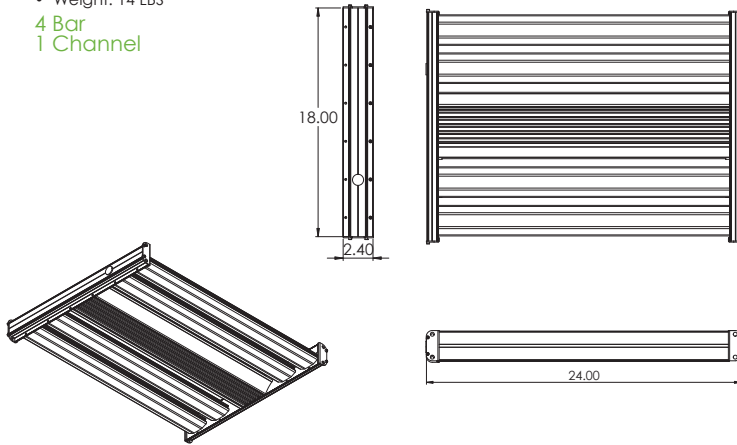
4000K

Model	Delivered Lumens	Wattage	Efficacy
GO2-24-840-NL	24,864	154	161
GO2-24-840-CA	23,837	154	155

Part #
GO2-48-840 (for 4000K) or GO2-48-850 (for 5000K)

- 24" L x 24" W x 2.4" H
- Weight: 14 LBS

4 Bar
 1 Channel



5000K

Model	Delivered Lumens	Wattage	Efficacy
GO2-48-850-NL	49,272	309	159
GO2-48-850-CA	47,237	309	153

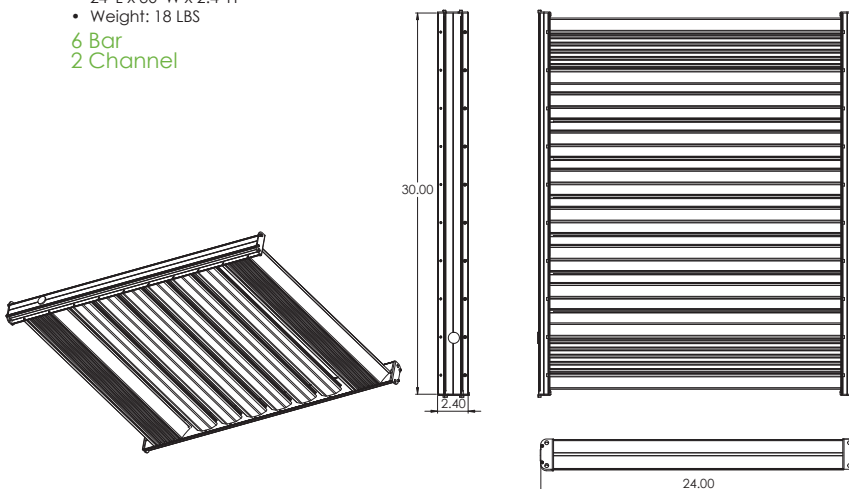
4000K

Model	Delivered Lumens	Wattage	Efficacy
GO2-48-840-NL	49,272	309	159
GO2-48-840-CA	47,237	309	153

Part #
GO2-72-840 (for 4000K) or GO2-72-850 (for 5000K)

- 24" L x 30" W x 2.4" H
- Weight: 18 LBS

6 Bar
 2 Channel



5000K

Model	Delivered Lumens	Wattage	Efficacy
GO2-72-850-NL	74,216	465	160
GO2-72-850-CA	71,151	465	153

4000K

Model	Delivered Lumens	Wattage	Efficacy
GO2-72-840-NL	74,216	465	160
GO2-72-840-CA	71,151	465	153

6 week approximate lead time