

Extruded aluminum architectural and task lighting LED luminaire for use in applications including, but not limited to airports, industrial and task lighting, and educational and office spaces.



Performance

- Lumen output: **Up to 3,375 lumens per foot**
- Efficacy: **Up to 162 Lumens per Watt**
- L₇₀ (per TM-21): **60,000 Hours**
- L₇₀ (calculated): **189,000 Hours**
- Ambient Temp. Rating: **-40°F to 113°F (-40°C to 45°C)**
Ambient temperature ratings vary with option/adders
- Surge Protection: **2.5kV (6kV optional)**
- Driver ratings: **120-277V input, 0-10V Dimming (1% min. optional)**
347-480V input, 0-10V Dimming (1% min. optional)

Construction

- Fixture body made from extruded 6463 aluminum
- Stainless-steel hardware
- Bright dip anodized fixture body

Optics

- Wide 120° beam angle LEDs
- Acrylic diffusing lens available in frosted and clear material
- Narrow optic available

Applications

- Office/Commercial
- Education
- Industrial/Task
- Inspection

Installation

- Aircraft cable suspension
- Surface mounting
- For special requests, contact factory

Listing and Ratings

- UL 1598 for Dry and Damp Locations
- ARRA/BAA Compliant (Made in America)
- DLC Listed

Warranty

- 10-Year Warranty on fixture body
- 5-Year Warranty on electronics
- For special requests, contact factory



Example Catalog Number:

BASE 4 835 U10

Series		Length		CRI / CCT		Voltage and Dimming			
BASE	2-3lm	3,007lm	850	80CRI	5000K	U10	120-277V	0-10V dimming	10% min.
	2	5,715lm		840	80CRI		4000K	U1	120-277V
	4-6lm	6,014lm	835	80CRI	3500K	H10	347-480V	0-10V dimming	10% min.
	4	11,430lm		H1	347-480V		0-10V dimming	1% min.	
	8-6lm	6,014lm	Dimming curves and other operating characteristics may vary between models						
	8-12lm	12,029lm							
	8	22,859lm							

Some CRI, CCT and other output variations may affect DLC listing; contact LUX for further information.

Options and Accessories

Endcap

- HM Hanger mount
- SM Surface mount

Standard powdercoat white

Lensing

- CA Clear acrylic diffuse lens
- WA White acrylic diffuse lens
- N Narrow optics

"2", "4", or "8" denotes fixture length

Lumen/Wattage Output

- CFO Custom fixture output (specify custom lumen output or wattage lower than standard)

Emergency

- E10 10-watt integral emergency battery
- E20RL 20-watt remote mounted emergency battery

Integral batteries available on 4' and 8' models only, contact Factory for details.

Mounting

- 2P10 2-Point aircraft suspension - hook ends (galvanized)
- SM Surface mount, no additional hardware provided

20' and 30' cable lengths available, contact Factory for details.

Cord

- (leave blank) No cord provided
- 3/10 3-wire, 10'cord Standard white
- 4/10 4-wire, 10'cord Standard white
- 5/10 5-wire, 10'cord Standard white
- 6/10 6-wire, 10'cord Standard white

Other cord lengths available as well as multi-circuit wiring and through-wiring options.

Standard 1/2" knockout provided in endcap for cord installation.

1st digit: Number of wires, including ground. Available from 3 through 6.

2nd digit: Overall length, including strips. Available from 10' through 30'.

Controls

- OC-KO Knockout mounted on/off occupancy sensor (120-277V input)
- DO-KO Knockout mounted daylight harvesting sensor (120-277V input)
- OCKH High Voltage (347/480V) knockout-mounted on/off occupancy sensor, **not installed**
- DOKH High Voltage (347/480V) knockout-mounted high/low/off occupancy and daylight harvesting sensor, **not installed**

Wireless Controls Multiple wireless control systems available. Contact Factory for options and details

Options and Accessories Cont.

Application (Select all that apply)

- GEN** General applications *(Not rated for WET, NSF, or high abuse environments)*
- MFG** Manufacturing or industrial
- WHS** Warehousing or storage
- HNG** Hangar
- ARCH** Architectural *(White lensing recommended)*
- GAR** Garage or canopy
- FRZ** Freezer or cold storage

Lumen Multipliers

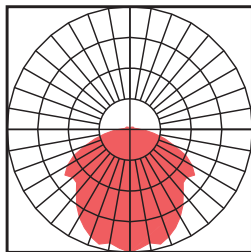
Lens	
Standard/Nominal = WA Lens	
Lumen Multipliers Compared to "Nominal"	
CA	108.9%
WA (nominal)	100.0%
N	106.9%

CCT	
Standard/Nominal = 3500K CCT	
Lumen Multipliers Compared to "Nominal"	
3500K (nominal)	100.0%
4000K	103.0%
5000K	103.0%

Optical Distribution

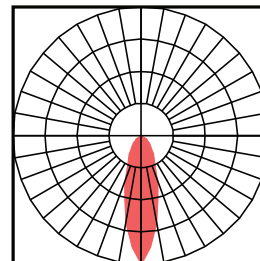
Lensed (CA or WA)

Achieved using either of our standard lenses

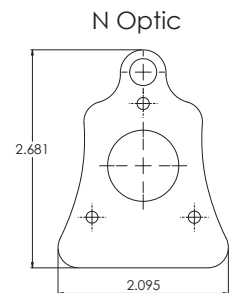
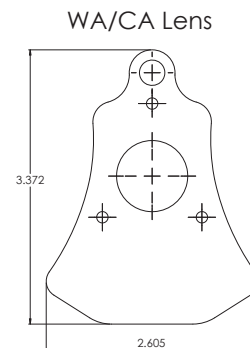
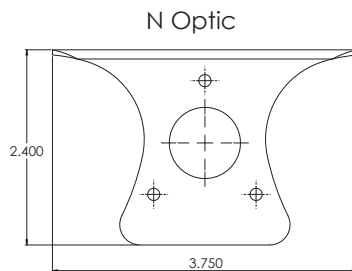
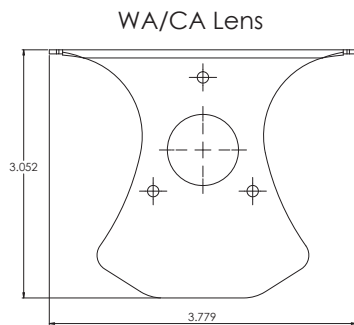


Narrow Optic (N)

Achieved using a molded-acrylic, prismatic optic



Endcap Option Details



Surface Mount

Surface mount endcap *(surface-mounting hardware provided by others)*

Hanger Mount

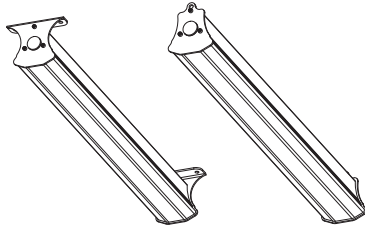
2Pxx: Aircraft cable mounting with snap hooks *(xx denotes cable length)*

Technical Specifications White and Clear Lens Performance

Part

BASE-2-850 (for 5000K), BASE-2-840 (for 4000K) or BASE-2-835 (for 3500K)

- 23.14"L x 3.75"W x 3.34"H
- Weight: 3 LBS



BASE-2-835			
Lens Option	Delivered Lumens	Wattage	Efficacy
BASE-2-3lm-835-U10-xx-CA	3,274	21	157
BASE-2-835-U10-xx-CA	6,223	42	148
BASE-2-3lm-835-U10-xx-WA	3,007	21	144
BASE-2-835-U10-xx-WA	5,715	42	136

3500K

BASE-2-840			
Lens Option	Delivered Lumens	Wattage	Efficacy
BASE-2-3lm-840-U10-xx-CA	3,373	21	162
BASE-2-840-U10-xx-CA	6,410	42	153
BASE-2-3lm-840-U10-xx-WA	3,098	21	149
BASE-2-840-U10-xx-WA	5,887	42	140

4000K

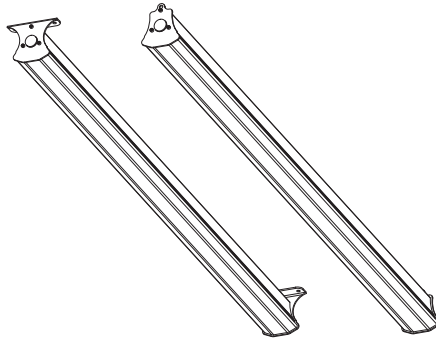
BASE-2-850			
Lens Option	Delivered Lumens	Wattage	Efficacy
BASE-2-3lm-850-U10-xx-CA	3,373	21	162
BASE-2-850-U10-xx-CA	6,410	42	153
BASE-2-3lm-850-U10-xx-WA	3,098	21	149
BASE-2-850-U10-xx-WA	5,887	42	140

5000K

Part

BASE-4-850 (FOR 5000K), BASE-4-840 (for 4000K) or BASE-4-835 (for 3500K)

- 46.20"L x 3.75"W x 3.34"H
- Weight: 6 LBS



BASE-4-835			
Lens Option	Delivered Lumens	Wattage	Efficacy
BASE-4-6lm-835-U10-xx-CA	6,549	42	157
BASE-4-835-U10-xx-CA	12,445	84	148
BASE-4-6lm-835-U10-xx-WA	6,014	42	144
BASE-4-835-U10-xx-WA	11,430	84	136

3500K

BASE-4-840			
Lens Option	Delivered Lumens	Wattage	Efficacy
BASE-4-6lm-840-U10-xx-CA	6,746	42	162
BASE-4-840-U10-xx-CA	12,819	84	153
BASE-4-6lm-840-U10-xx-WA	6,195	42	149
BASE-4-840-U10-xx-WA	11,773	84	140

4000K

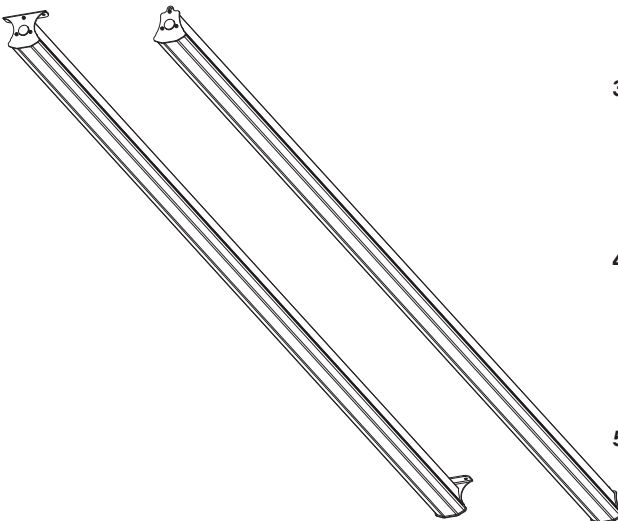
BASE-4-850			
Lens Option	Delivered Lumens	Wattage	Efficacy
BASE-4-6lm-850-U10-xx-CA	6,746	42	162
BASE-4-850-U10-xx-CA	12,819	84	153
BASE-4-6lm-850-U10-xx-WA	6,195	42	149
BASE-4-850-U10-xx-WA	11,773	84	140

5000K

Part

BASE-8-850 (for 5000K), BASE-8-840 (for 4000K) or BASE-8-835 (for 3500K)

- 91.20"L x 3.75"W x 3.34"H
- Weight: 11 LBS



BASE-8-835			
Lens Option	Delivered Lumens	Wattage	Efficacy
BASE-8-6lm-835-U10-xx-CA	6,549	42	157
BASE-8-12lm-835-U10-xx-CA	13,098	83	157
BASE-8-835-U10-xx-CA	24,891	168	148
BASE-8-6lm-835-U10-xx-WA	6,014	42	144
BASE-8-12lm-835-U10-xx-WA	12,029	83	144
BASE-8-835-U10-xx-WA	22,859	168	136

3500K

BASE-8-840			
Lens Option	Delivered Lumens	Wattage	Efficacy
BASE-8-6lm-840-U10-xx-CA	6,746	42	162
BASE-8-12lm-840-U10-xx-CA	13,491	83	162
BASE-8-840-U10-xx-CA	25,639	168	153
BASE-8-6lm-840-U10-xx-WA	6,195	42	149
BASE-8-12lm-840-U10-xx-WA	12,390	83	149
BASE-8-840-U10-xx-WA	23,546	168	140

4000K

BASE-8-850			
Lens Option	Delivered Lumens	Wattage	Efficacy
BASE-8-6lm-850-U10-xx-CA	6,746	42	162
BASE-8-12lm-850-U10-xx-CA	13,491	83	162
BASE-8-850-U10-xx-CA	25,639	168	153
BASE-8-6lm-850-U10-xx-WA	6,195	42	149
BASE-8-12lm-850-U10-xx-WA	12,390	83	149
BASE-8-850-U10-xx-WA	23,546	168	140

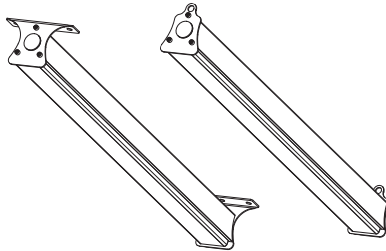
5000K

Technical Specifications Narrow Optic Performance

Part

BASE-2-850-N (for 5000K), BASE-2-840-N (for 4000K) or BASE-2-835-N (for 3500K)

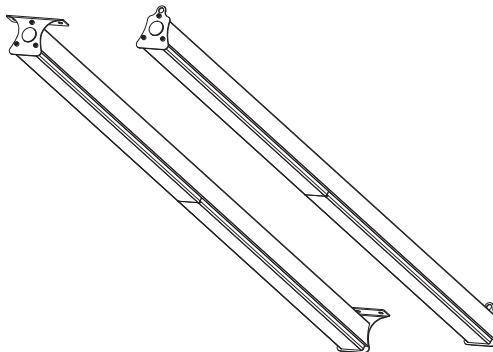
- 22.53"L x 3.75"W x 2.40"H
- Weight: 3 LBS



Part

BASE-4-850-N (FOR 5000K), BASE-4-840-N (for 4000K) or BASE-4-835-N (for 3500K)

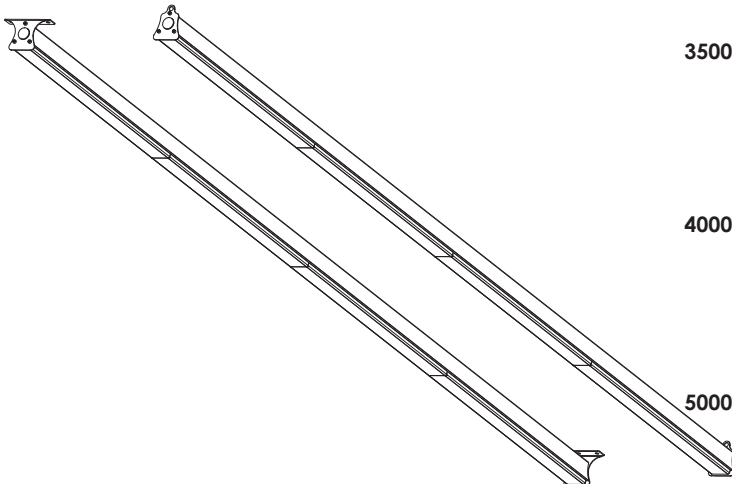
- 44.73"L x 3.75"W x 2.40"H
- Weight: 6 LBS



Part

BASE-8-850-N (for 5000K), BASE-8-840-N (for 4000K) or BASE-8-835-N (for 3500K)

- 89.13"L x 3.75"W x 2.40"H
- Weight: 11 LBS



BASE-2-835 with Narrow Optic			
Lens Option	Delivered Lumens	Wattage	Efficacy
BASE-2-3lm-835-U10-xx-N	3,215	21	154
BASE-2-835-U10-xx-N	6,109	42	146

3500K

BASE-2-840 with Narrow Optic			
Lens Option	Delivered Lumens	Wattage	Efficacy
BASE-2-3lm-840-U10-xx-N	3,311	84	39
BASE-2-840-U10-xx-N	6,292	42	151

4000K

BASE-2-850 with Narrow Optic			
Lens Option	Delivered Lumens	Wattage	Efficacy
BASE-2-3lm-850-U10-xx-N	3,311	84	39
BASE-2-850-U10-xx-N	6,292	42	151

5000K

BASE-4-835 with Narrow Optic			
Lens Option	Delivered Lumens	Wattage	Efficacy
BASE-4-6lm-835-U10-xx-N	6,429	42	154
BASE-4-835-U10-xx-N	12,218	84	146

3500K

BASE-4-840 with Narrow Optic			
Lens Option	Delivered Lumens	Wattage	Efficacy
BASE-4-6lm-840-U10-xx-N	6,622	42	159
BASE-4-840-U10-xx-N	12,585	84	150

4000K

BASE-4-850 with Narrow Optic			
Lens Option	Delivered Lumens	Wattage	Efficacy
BASE-4-6lm-850-U10-xx-N	6,622	42	159
BASE-4-850-U10-xx-N	12,585	84	150

5000K

BASE-8-835 with Narrow Optic			
Lens Option	Delivered Lumens	Wattage	Efficacy
BASE-8-6lm-835-U10-xx-N	6,429	42	154
BASE-8-12lm-835-U10-xx-N	12,858	83	154
BASE-8-835-U10-xx-N	24,436	168	146

3500K

BASE-8-840 with Narrow Optic			
Lens Option	Delivered Lumens	Wattage	Efficacy
BASE-8-6lm-840-U10-xx-N	6,622	42	159
BASE-8-12lm-840-U10-xx-N	13,244	83	159
BASE-8-840-U10-xx-N	25,170	168	150

4000K

BASE-8-850 with Narrow Optic			
Lens Option	Delivered Lumens	Wattage	Efficacy
BASE-8-6lm-850-U10-xx-N	6,622	42	159
BASE-8-12lm-850-U10-xx-N	13,244	83	159
BASE-8-850-U10-xx-N	25,170	168	150

5000K