

Extruded aluminum architectural and task lighting LED luminaire for use in applications including, but not limited to airports, industrial and task lighting, and educational and office spaces.



Performance

- Lumen output: **Up to 4,650 lumens per foot**
- Efficacy: **Up to 145 Lumens per Watt**
- L₇₀ (per TM-21): **60,000 Hours**
- L₇₀ (calculated): **189,000 Hours**
- Ambient Temp. Rating: **-40°F to 104°F (-40°C to 40°C)**
Ambient temperature ratings vary with option/adders
- Surge Protection: **2.5kV (6kV Optional)**
- Driver ratings: **120-277V input, 0-10V Dimming (1% min. optional)**
347-480V input, 0-10V Dimming (1% min. optional)

Construction

- Fixture body made from extruded 6463 aluminum
- Stainless-steel hardware
- Bright dip anodized fixture body

Optics

- Wide 120° beam angle LEDs
- Acrylic diffusing lens available in frosted and clear material
- Narrow optic available

Applications

- Office/Commercial
- Education
- Industrial/Task
- Inspection

Installation

- Aircraft cable suspension
- Surface mounting
- For special requests, contact factory

Listing and Ratings

- UL 1598 for Dry and Damp Locations
- ARRA/BAA Compliant (Made in America)
- DLC Listed

Warranty

- 10-Year Warranty on fixture body
- 5-Year Warranty on electronics
- For special requests, contact factory



Example Catalog Number:

BRITE 4 835 U10

Series		Length		CRI / CCT		Voltage and Dimming		
BRITE		2	7,883lm	850	80CRI 5000K	U10	120-277V	0-10V dimming 10% min.
		4	15,765lm	840	80CRI 4000K	U1	120-277V	0-10V dimming 1% min.
		8	31,530lm	835	80CRI 3500K	H10	347-480V	0-10V dimming 10% min.
						H1	347-480V	0-10V dimming 1% min.

Delivered lumens with 3500K color / WA lens

Other driver options available. Consult factory.

Dimming curves and other operating characteristics may vary between models

Some CRI, CCT and other output variations may affect DLC listing; contact LUX for further information.

Options and Accessories

Endcap

- HM Hanger mount
- SM Surface mount

Standard powdercoat white

Lensing

- CA Clear acrylic diffuse lens
- WA White acrylic diffuse lens
- N Narrow optics

"2", "4", or "8" denotes fixture length

Lumen/Wattage Output

- CFO Custom fixture output (specify custom lumen output or wattage lower than standard)

Emergency

- E10 10-watt integral emergency battery
- E20RL 20-watt remote mounted emergency battery

Integral batteries available on 4' and 8' models only, contact Factory for details

Mounting

- 2P10 2-Point aircraft suspension - hook ends (galvanized)
- SM Surface mount, no additional hardware provided

20' and 30' cable lengths available, contact Factory for details.

Cord

- (leave blank) No cord provided
- 3/10 3-wire, 10' cord | Standard white
- 4/10 4-wire, 10' cord | Standard white
- 5/10 5-wire, 10' cord | Standard white
- 6/10 6-wire, 10' cord | Standard white

Other cord lengths available as well as multi-circuit wiring and through-wiring options.

Standard 1/2" knockout provided in endcap for cord installation.

1st digit: Number of wires, including ground. Available from 3 through 6.

2nd digit: Overall length, including strips. Available from 10' through 30'.

Controls

- OC-KO Knockout mounted on/off occupancy sensor (120-277V input)
- DO-KO Knockout mounted daylight harvesting sensor (120-277V input)
- OCKH High Voltage (347/480V) knockout-mounted on/off occupancy sensor, **not installed**
- DOKH High Voltage (347/480V) knockout-mounted high/low/off occupancy and daylight harvesting sensor, **not installed**

Wireless Controls Multiple wireless control systems available. Contact Factory for options and details

Options and Accessories Cont.

Application (Select all that apply)

- GEN** General applications *(Not rated for WET, NSF, or high abuse environments)*
- MFG** Manufacturing or industrial
- WHS** Warehousing or storage
- HNG** Hangar
- ARCH** Architectural *(White lensing recommended)*
- GAR** Garage or canopy
- FRZ** Freezer or cold storage

Lumen Multipliers

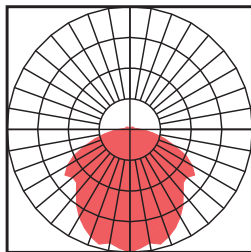
Lens	
Standard/Nominal = WA Lens	
Lumen Multipliers Compared to "Nominal"	
CA	108.9%
WA (nominal)	100.0%
N	106.9%

CCT	
Standard/Nominal = 3500K CCT	
Lumen Multipliers Compared to "Nominal"	
3500K (nominal)	100.0%
4000K	103.0%
5000K	103.0%

Optical Distribution

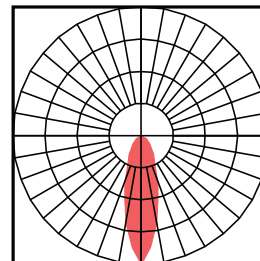
Lensed (CA or WA)

Achieved using either of our standard lenses

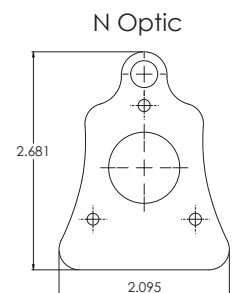
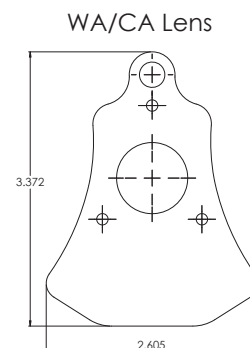
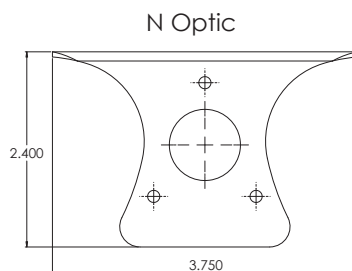
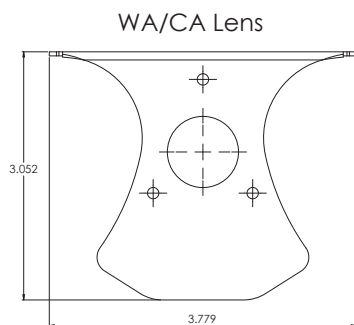


Narrow Optic (N)

Achieved using a molded-acrylic, prismatic optic



Endcap Option Details



Surface Mount

Surface mount endcap *(surface-mounting hardware provided by others)*

Hanger Mount

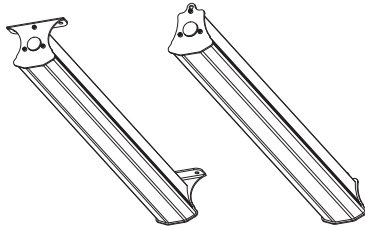
2Pxx: Aircraft cable mounting with snap hooks *(xx denotes cable length)*

Technical Specifications White and Clear Lens Performance

Part

BRITE-2-850 (for 5000K), BRITE-2-840 (for 4000K) or BRITE-2-835 (for 3500K)

- 23.14"L x 3.75"W x 3.34"H
- Weight: 3 LBS



BRITE-2-835			
Lens Option	Delivered Lumens	Wattage	Efficacy
BRITE-2-835-U10-xx-CA	8,583	61	141
BRITE-2-835-U10-xx-WA	7,883	61	129

3500K

BRITE-2-840			
Lens Option	Delivered Lumens	Wattage	Efficacy
BRITE-2-840-U10-xx-CA	8,846	61	145
BRITE-2-840-U10-xx-WA	8,124	61	133

4000K

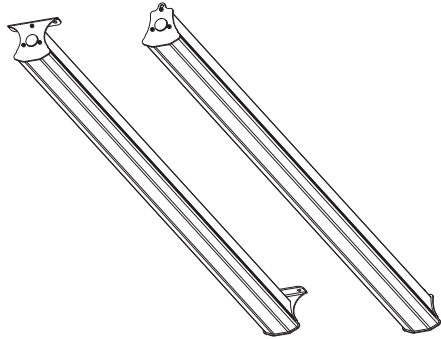
BRITE-2-850			
Lens Option	Delivered Lumens	Wattage	Efficacy
BRITE-2-850-U10-xx-CA	8,846	61	145
BRITE-2-850-U10-xx-WA	8,124	61	133

5000K

Part

BRITE-4-850 (for 5000K), BRITE-4-840 (for 4000K) or BRITE-4-835 (for 3500K)

- 46.20"L x 3.75"W x 3.34"H
- Weight: 6 LBS



BRITE-4-835			
Lens Option	Delivered Lumens	Wattage	Efficacy
BRITE-4-835-U10-xx-CA	17,166	122	141
BRITE-4-835-U10-xx-WA	15,765	122	129

3500K

BRITE-4-840			
Lens Option	Delivered Lumens	Wattage	Efficacy
BRITE-4-840-U10-xx-CA	17,691	122	145
BRITE-4-840-U10-xx-WA	16,247	122	133

4000K

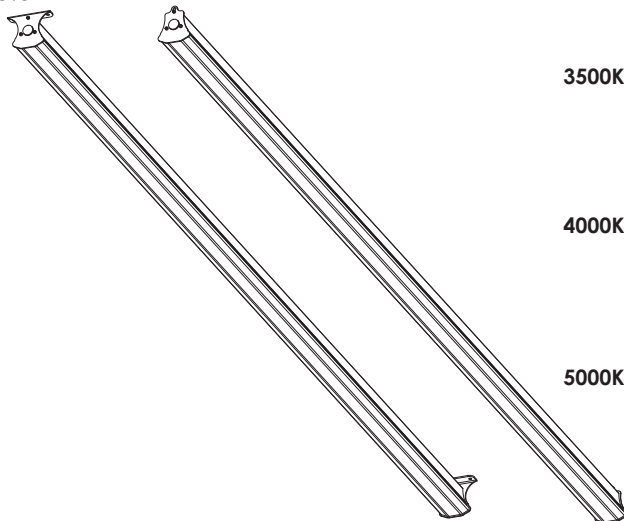
BRITE-4-850			
Lens Option	Delivered Lumens	Wattage	Efficacy
BRITE-4-850-U10-xx-CA	17,691	122	145
BRITE-4-850-U10-xx-WA	16,247	122	133

5000K

Part

BRITE-8-850 (for 5000K), BRITE-8-840 (for 4000K) or BRITE-8-835 (for 3500K)

- 91.20"L x 3.75"W x 3.34"H
- Weight: 11 LBS



BRITE-8-835			
Lens Option	Delivered Lumens	Wattage	Efficacy
BRITE-8-835-U10-xx-CA	34,332	244	141
BRITE-8-835-U10-xx-WA	31,530	244	129

3500K

BRITE-8-840			
Lens Option	Delivered Lumens	Wattage	Efficacy
BRITE-8-840-U10-xx-CA	35,383	244	145
BRITE-8-840-U10-xx-WA	32,495	244	133

4000K

BRITE-8-850			
Lens Option	Delivered Lumens	Wattage	Efficacy
BRITE-8-850-U10-xx-CA	35,383	244	145
BRITE-8-850-U10-xx-WA	32,495	244	133

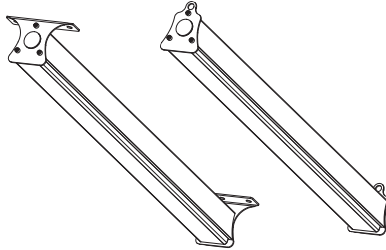
5000K

Technical Specifications Narrow Optic Performance

Part

BRITE-2-850-N (for 5000K), BRITE-2-840-N (for 4000K) or BRITE-2-835-N (for 3500K)

- 22.53"L x 3.75"W x 2.40"H
- Weight: 3 LBS



BRITE-2-835 with Narrow Optic				
3500K	Lens Option	Delivered Lumens	Wattage	Efficacy
	BRITE-2-835-U10-xx-N	8,426	61	138

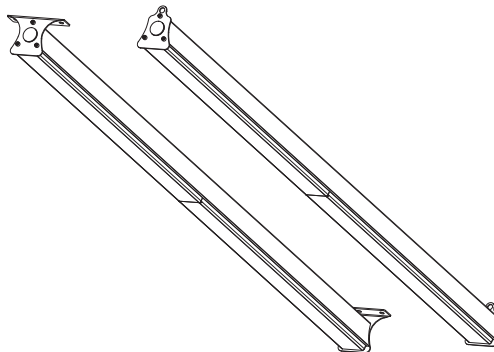
BRITE-2-840 with Narrow Optic				
4000K	Lens Option	Delivered Lumens	Wattage	Efficacy
	BRITE-2-840-U10-xx-N	8,684	61	142

BRITE-2-850 with Narrow Optic				
5000K	Lens Option	Delivered Lumens	Wattage	Efficacy
	BRITE-2-850-U10-xx-N	8,684	61	142

Part

BRITE-4-850-N (for 5000K), BRITE-4-840-N (for 4000K) or BRITE-4-835-N (for 3500K)

- 44.73"L x 3.75"W x 2.40"H
- Weight: 6 LBS



BRITE-4-835 with Narrow Optic				
3500K	Lens Option	Delivered Lumens	Wattage	Efficacy
	BRITE-4-835-U10-xx-N	16,852	122	138

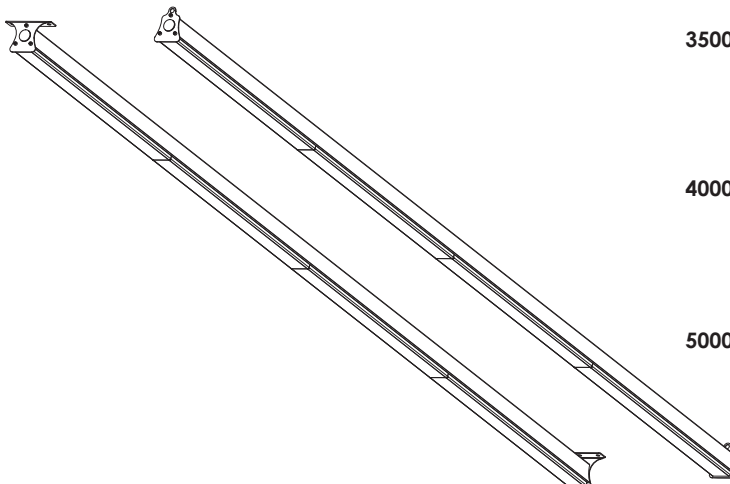
BRITE-4-840 with Narrow Optic				
4000K	Lens Option	Delivered Lumens	Wattage	Efficacy
	BRITE-4-840-U10-xx-N	17,368	122	142

BRITE-4-850 with Narrow Optic				
5000K	Lens Option	Delivered Lumens	Wattage	Efficacy
	BRITE-4-850-U10-xx-N	17,368	122	142

Part

BRITE-8-850-N (for 5000K), BRITE-8-840-N (for 4000K) or BRITE-8-835-N (for 3500K)

- 89.13"L x 3.75"W x 2.40"H
- Weight: 11 LBS



BRITE-8-835 with Narrow Optic				
3500K	Lens Option	Delivered Lumens	Wattage	Efficacy
	BRITE-8-835-U10-xx-N	33,705	244	138

BRITE-8-840 with Narrow Optic				
4000K	Lens Option	Delivered Lumens	Wattage	Efficacy
	BRITE-8-840-U10-xx-N	34,736	244	142

BRITE-8-850 with Narrow Optic				
5000K	Lens Option	Delivered Lumens	Wattage	Efficacy
	BRITE-8-850-U10-xx-N	34,736	244	142